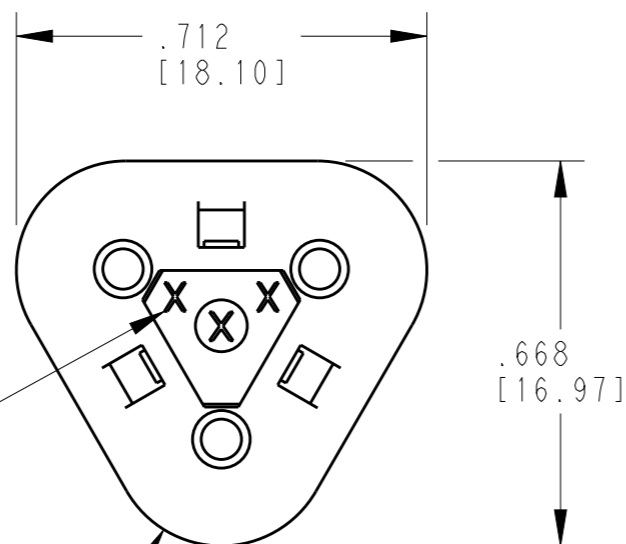
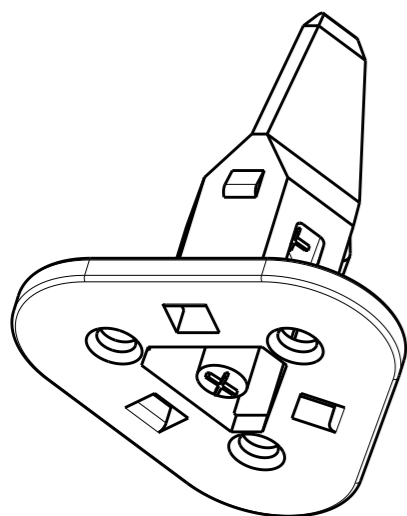
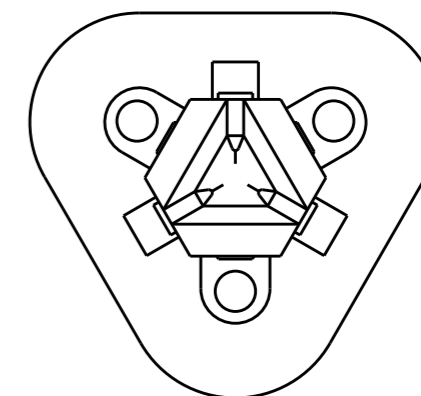
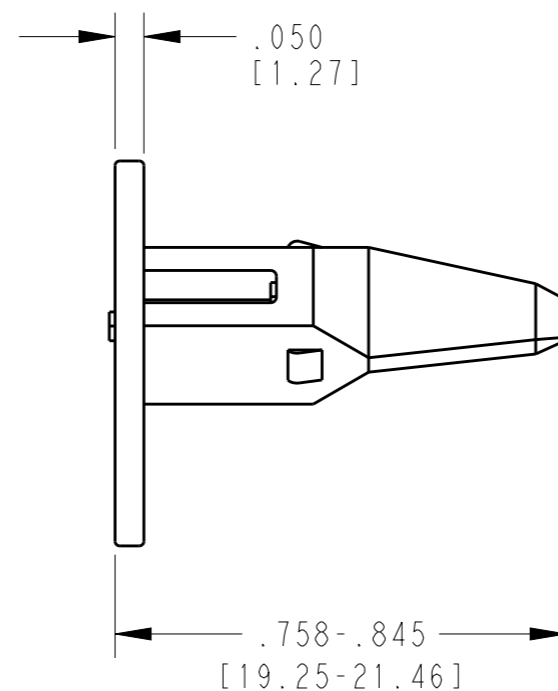


THIS DRAWING IS UNPUBLISHED. RELEASED FOR PUBLICATION 2016
 © COPYRIGHT 1999 BY TE CONNECTIVITY ALL RIGHTS RESERVED.

LOC	DIST	REVISIONS			
P	LTR	DESCRIPTION	DATE	DWN	APVD
	B	REVISED PER E.O P16279	03SEP1999	ST	RDR
	C	REVISED PER E.O P18246	22AUG2003	XS	RDR
	D	REVISED PER E.O P20857	04APR2011	AM	RDR
	E	REVISED PER ECO-16-001284	28JAN2016	JA	DM



3X OPTIONAL CAVITY ID LOCATIONS APPROX AS SHOWN



TE INTERNAL PN	DEUTSCH PN
W3S-1939	W3S-1939

2 MATERIAL: PBT 30% GF (BLUE)

1. THIS WEDGE MAY BE USED WITH DT06-3S-XXXX PLUG (XXXX = ALL MODIFICATIONS). CONSULT FACTORY FOR MODIFICATION AND APPLICATION.

NOTES:

THIS DRAWING IS A CONTROLLED DOCUMENT.		DWN S. THEIS 27AUG1999	TE Connectivity		
DIMENSIONS: INCHES [mm]		CHK B. BYFORD 04APR2011			
		APVD S. BEARD 04APR2011	NAME KEYED WEDGE LOCK FOR 3 WAY PLUG COLOR: BLUE DT SERIES		
		PRODUCT SPEC	SIZE A3	CAGE CODE 4AFU8	DRAWING NO. W3S-1939
TOLERANCES UNLESS OTHERWISE SPECIFIED:		APPLICATION SPEC	SCALE 3:1 SHEET 1 OF 1 REV E		
MATERIAL 2		WEIGHT 0.91g	CUSTOMER DRAWING		
FINISH					