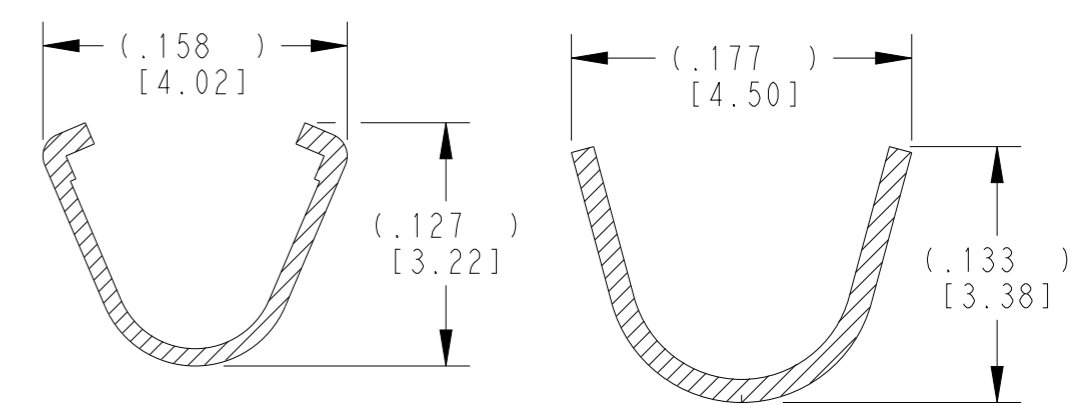
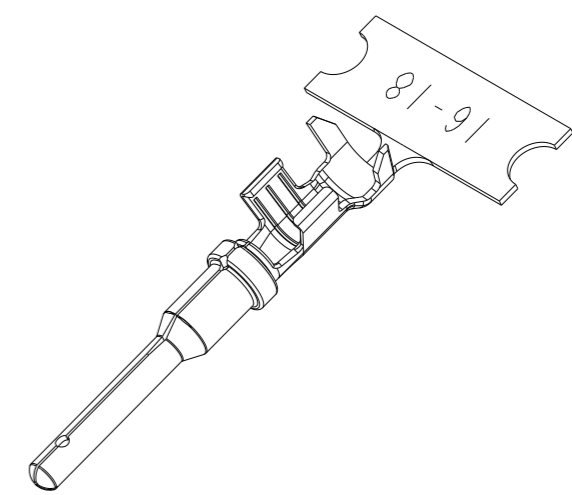
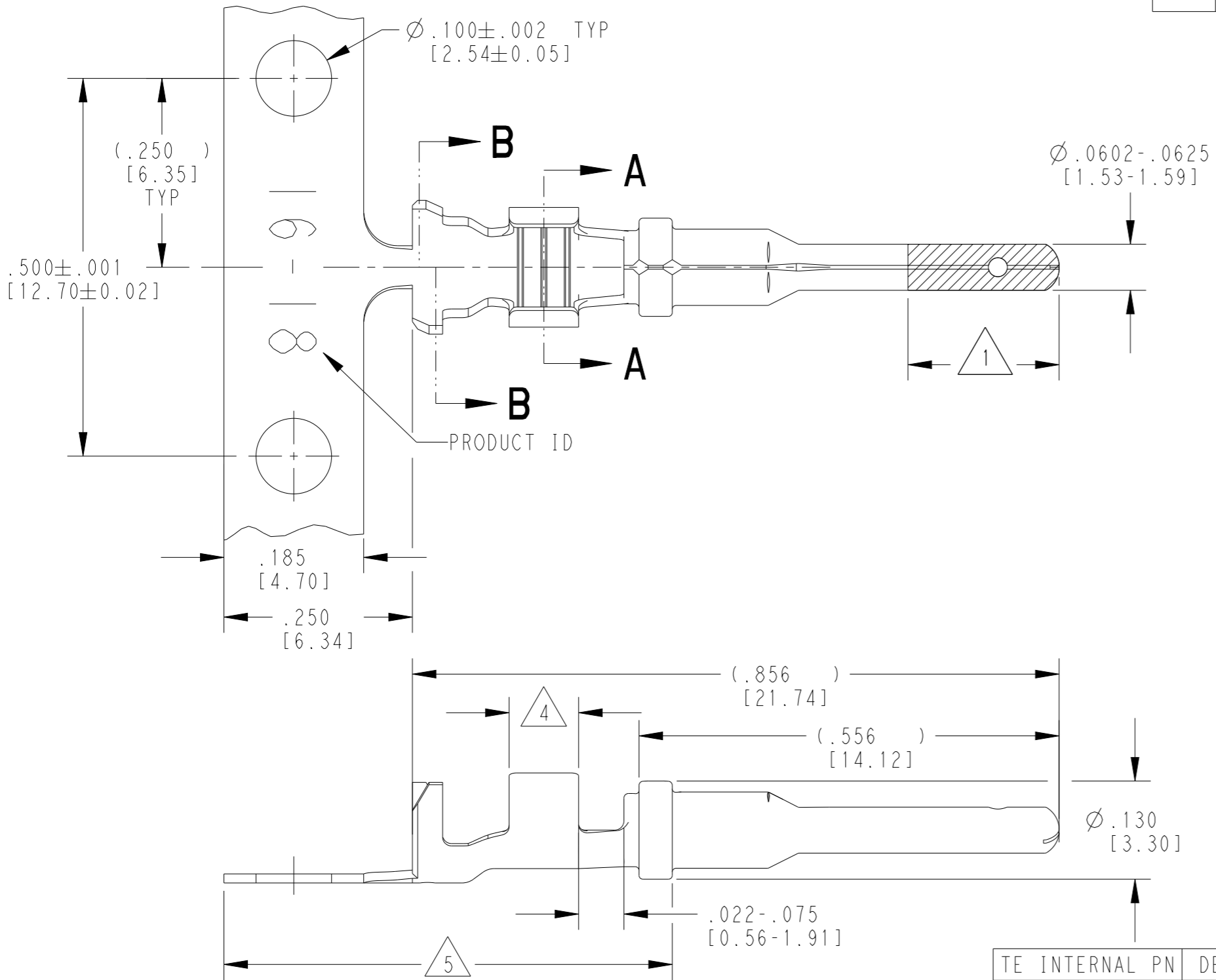



LOC	DIST	REVISIONS			
P	LTR	DESCRIPTION	DATE	DWN	APVD
	J	REVISED PER ECO-15-007761	28MAY2015	RL	DM
	K	REVISED PER PCN E-20-008101	12JUN2020	DM	DM
	L	REVISED PER PCN-21-121539	08DEC2021	MK	DM
	L1	REVISED PER PCN-21-121539	04FEB2022	MK	DM



- 5 TIN PLATING MAY BE IN THIS REGION.
  - 4 TIN PLATED REGION.
  - 3 MATERIAL: .012 [0.30] THICK COPPER ALLOY
  - 2. WIRE RANGE: 18 AWG TO 14 AWG [0.75-2.0 mm<sup>2</sup>]  
INSULATION RANGE:  $\phi .075 - .140$  [ $\phi 1.91 - 3.56$ ]
  - 1 GOLD PLATED REGION.
- NOTES: UNLESS OTHERWISE SPECIFIED

TE INTERNAL PN	DEUTSCH PN	PLATING
1060-16-0122	1060-16-0122	Ni/Cu overall, Sn/Ni/Cu Wire Barrel
1060-16-0144	1060-16-0144	Selective Au, Ni/Cu overall, Sn/Ni/Cu Wire Barrel
1060-16-0177	1060-16-0177	Sn/Ni/Cu overall

THIS DRAWING IS A CONTROLLED DOCUMENT.

DWN M. BLUM 04NOV1999	 TE Connectivity
CHK A. ROLINSKI 08DEC2000	
APVD R. REED 08DEC2000	
PRODUCT SPEC 108-151000	
DIMENSIONS: INCHES [mm]	NAME STAMPED CONTACT PIN SIZE 16
TOLERANCES UNLESS OTHERWISE SPECIFIED: 0 PLC ± 1 PLC ± 2 PLC ± 3 PLC ±.025 [0.64] 4 PLC ± ANGLES ±	SIZE A3
MATERIAL 3	FINISH SEE TABLE
	APPLICATION SPEC 114-151000
	WEIGHT 0.33 g
	Customer Drawing
	RESTRICTED TO -
	SCALE 6:1
	SHEET 1 OF 1
	REV L1