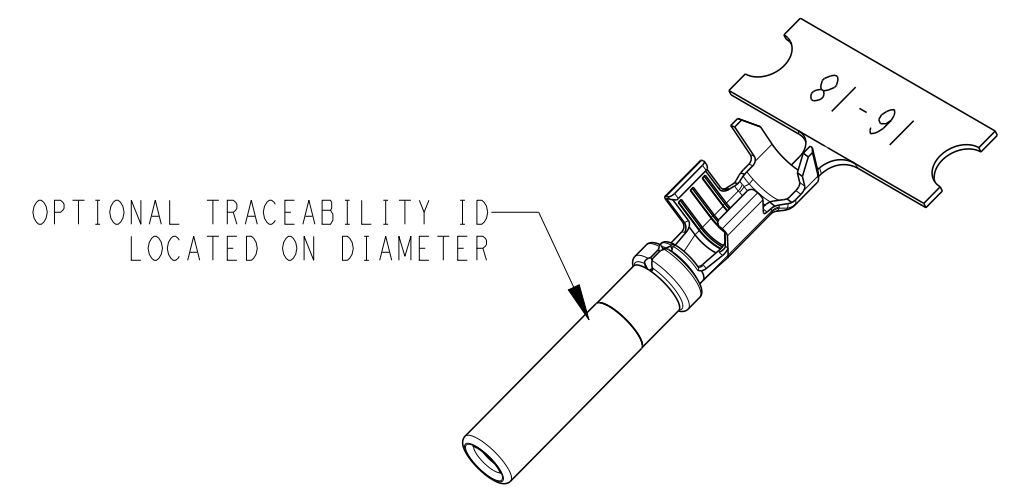
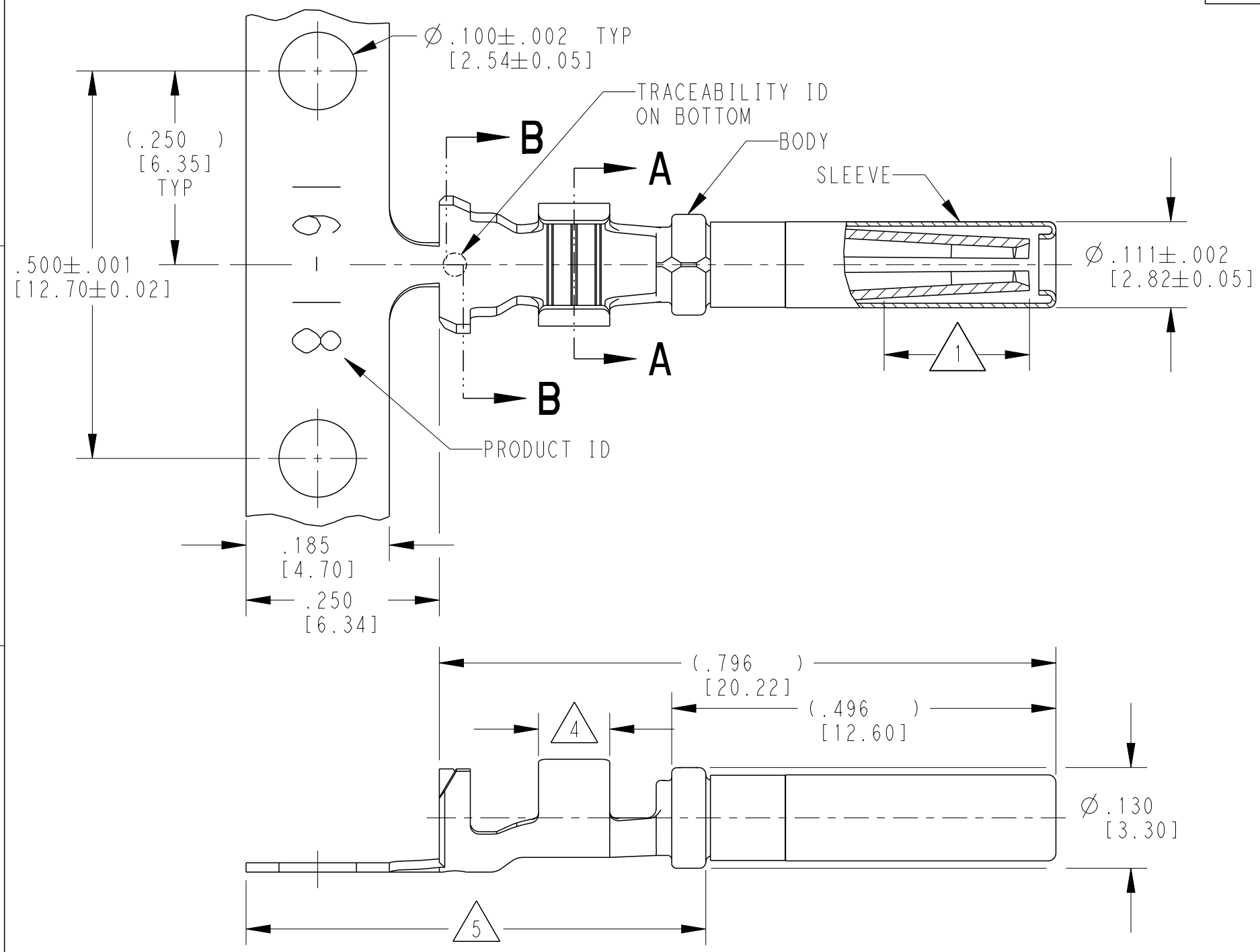
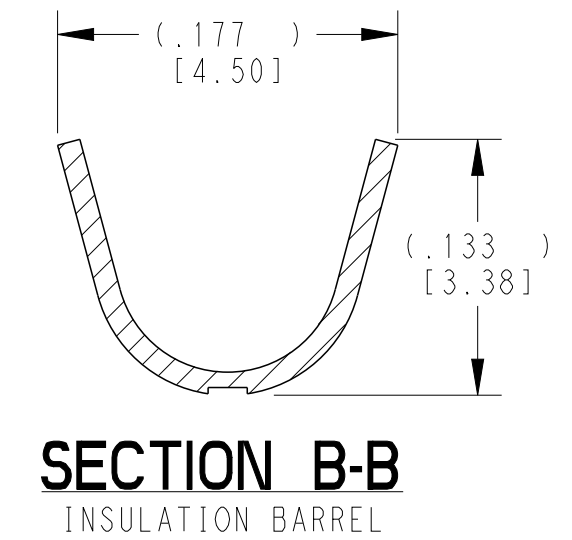
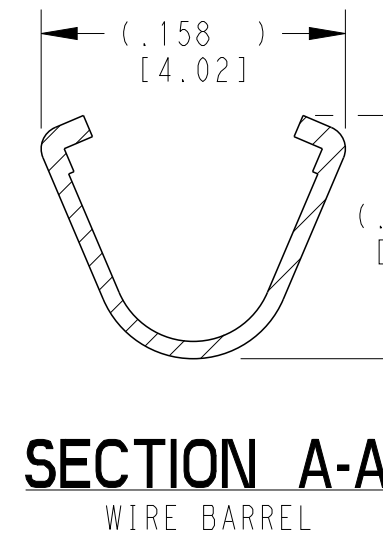


THIS DRAWING IS UNPUBLISHED  
 RELEASED FOR PUBLICATION 2015  
 © COPYRIGHT 1999 BY TE CONNECTIVITY ALL RIGHTS RESERVED.

LOC	DIST	REVISIONS			
P	LTR	DESCRIPTION	DATE	DWN	APVD
	J	REVISED PER ECO-15-007761	28MAY2015	RL	DM
	K	REVISED PER PCN E-20-008101	12JUN2020	DM	DM
	K1	REVISED PER PCN-22-157823	12OCT2022	SP	DM



OPTIONAL TRACEABILITY ID LOCATED ON DIAMETER



5 TIN PLATING MAY BE IN THIS REGION.

4 TIN PLATED REGION.

3 MATERIAL:  
 BODY: .012 [0.30] THICK COPPER ALLOY  
 SLEEVE: STAINLESS STEEL

2. WIRE RANGE: 18 AWG TO 14 AWG [0.75-2.0 mm<sup>2</sup>]  
 INSULATION RANGE: Ø.075-.140 [Ø1.91-3.56]

1 GOLD PLATED REGION.

NOTES: UNLESS OTHERWISE SPECIFIED

TE INTERNAL PN	DEUTSCH PN	PLATING
1062-16-0122	1062-16-0122	Ni/Cu overall, Sn/Ni/Cu Wire Barrel
1062-16-0144	1062-16-0144	Selective Au, Ni/Cu overall, Sn/Ni/Cu Wire Barrel
1062-16-0177	1062-16-0177	Sn/Ni/Cu overall

THIS DRAWING IS A CONTROLLED DOCUMENT.		DWN M. BLUM 03NOV1999	<b>STE</b> TE Connectivity					
DIMENSIONS: INCHES [mm]		CHK A. ROLINSKI 08DEC2000						
TOLERANCES UNLESS OTHERWISE SPECIFIED:		APVD R. REED 08DEC2000	NAME SOCKET, STAMPED AND FORMED SIZE 16 14-18AWG					
0 PLC ±		PRODUCT SPEC 108-151000						
1 PLC ±		APPLICATION SPEC 114-151000	SIZE A3	CAGE CODE 4AFU8	DRAWING NO C=1062-16-01XX	RESTRICTED TO -		
2 PLC ±		WEIGHT 0.43 g						
3 PLC ±.025 [0.64]		Customer Drawing				SCALE 6:1	SHEET 1 OF 1	REV K1
4 PLC ±								
ANGLES ±								
FINISH SEE TABLE								