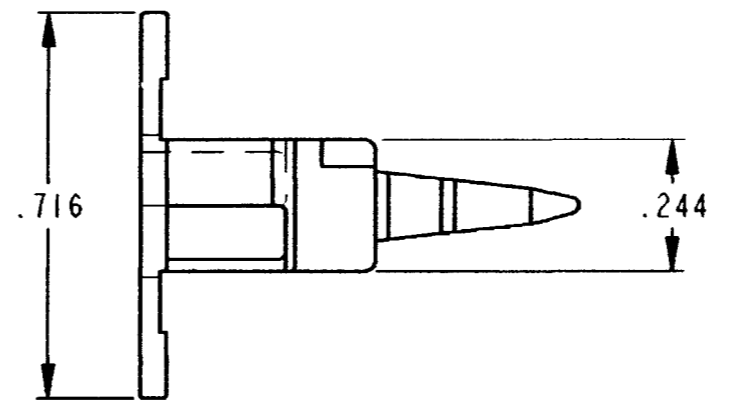
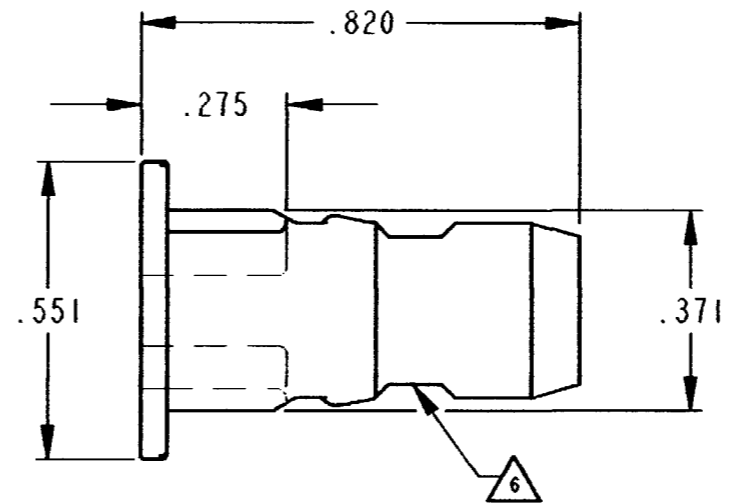
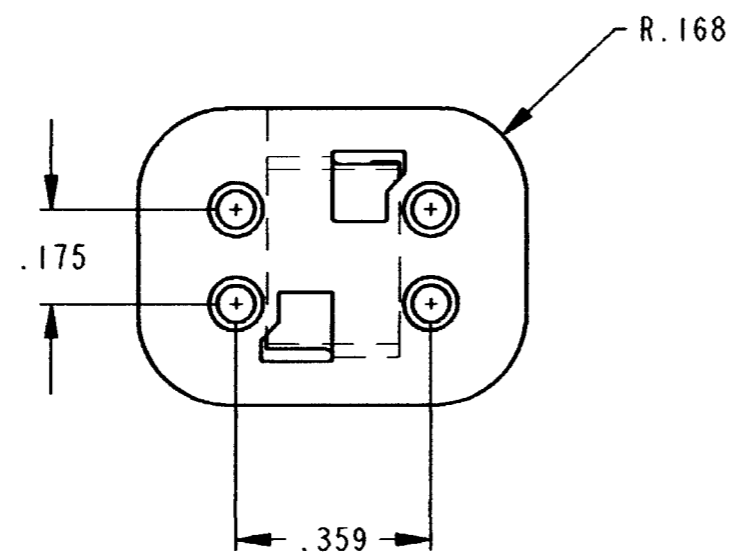


REV <b>B</b>	<b>W4SD</b>	REVISIONS			
		SYM	DESCRIPTION	DATE	APPROVED
		NC	NEW RELEASE PER E.O. A14877	8/2/95	R.D.R.
		A	REVISED PER E.O. P18246	8/22/03	R.D.R.
		B	REVISED PER E.O. P19635	11-5-07	<i>RDR</i>



- △ CUTOUT FEATURE OPTIONAL, 2 PLACES.  
 5. CONSULT FACTORY FOR APPLICATION.  
 4. WARNING: THIS WEDGE ALSO MATES WITH STANDARD PART W4P (=KEYLESS)  
 3. COLOR CODE = BROWN.  
 2. ALL DIMENSIONS ARE ±.025 [.64] UNLESS OTHERWISE SPECIFIED.  
 1. ALL DIMENSIONS ARE IN INCHES AND FOR REF. ONLY.

SIGNATURE & DATE		<b>WEDGE LOCK FOR 4 WAY PLUG KEY ARR. -D- DT SERIES</b>	EP	MATL. CODE
DR	V. TOMSA JUL-21-95.		3850 INDUSTRIAL AVE. HEMET, CA 92545	
CHK	<i>Jami C. Gentil 10/12/07</i>		<b>DEUTSCH INDUSTRIAL</b>	
PE	<i>R. Mesinger 9/11/07</i>		<b>B W4SD</b>	
APPD	<i>S. Bend 10-10-07</i>	ENVELOPE	DWG. SIZE	CODE 11139 SHEET   OF
SCALE	NONE	WT		