

REVISIONS				
P	LTN	DESCRIPTION	DATE	OWN APVD
A		INITIAL RELEASE PER PCN-21-003453	14DEC2021	AP IG

FIGURE 1

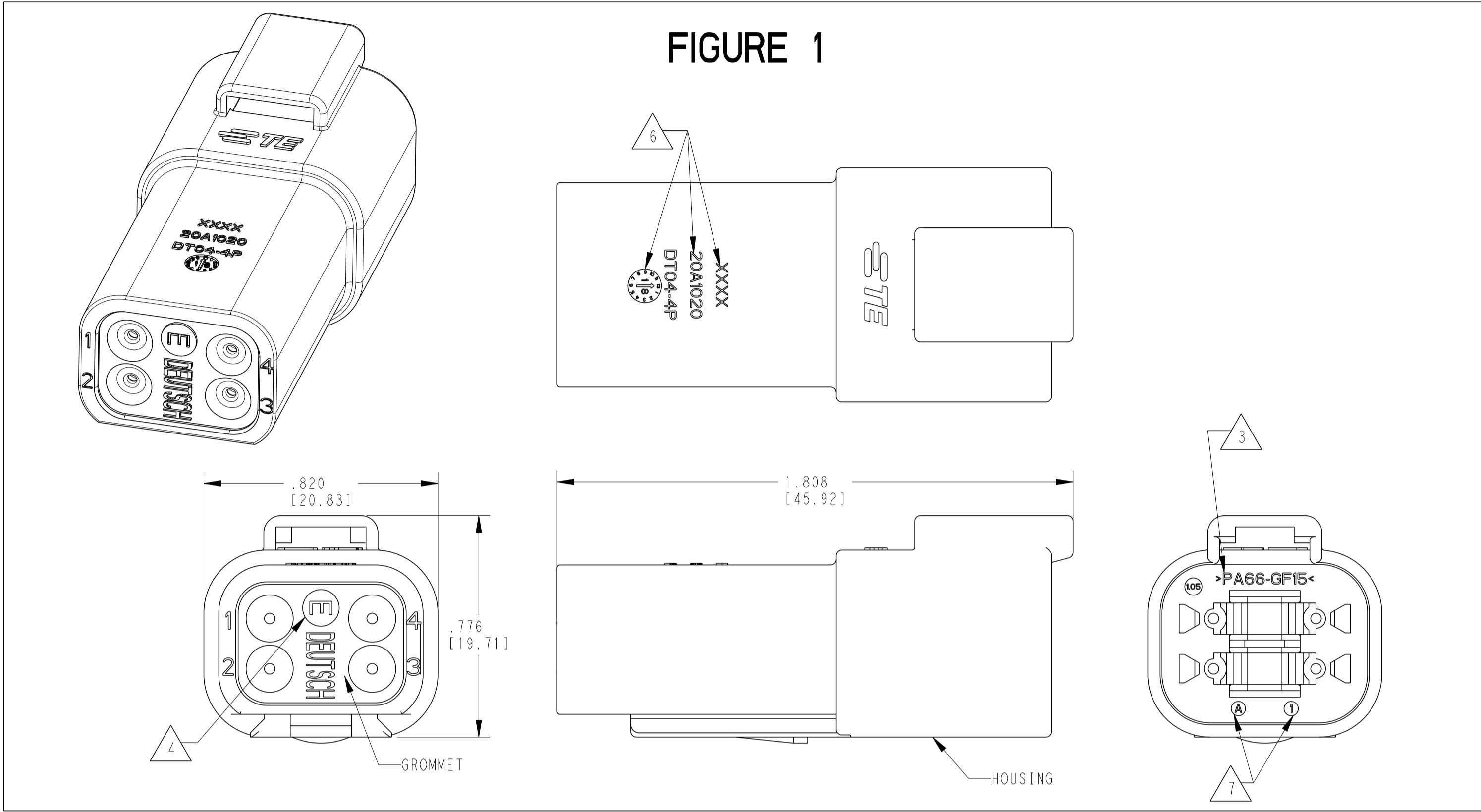


FIGURE 2 SHORT CAP

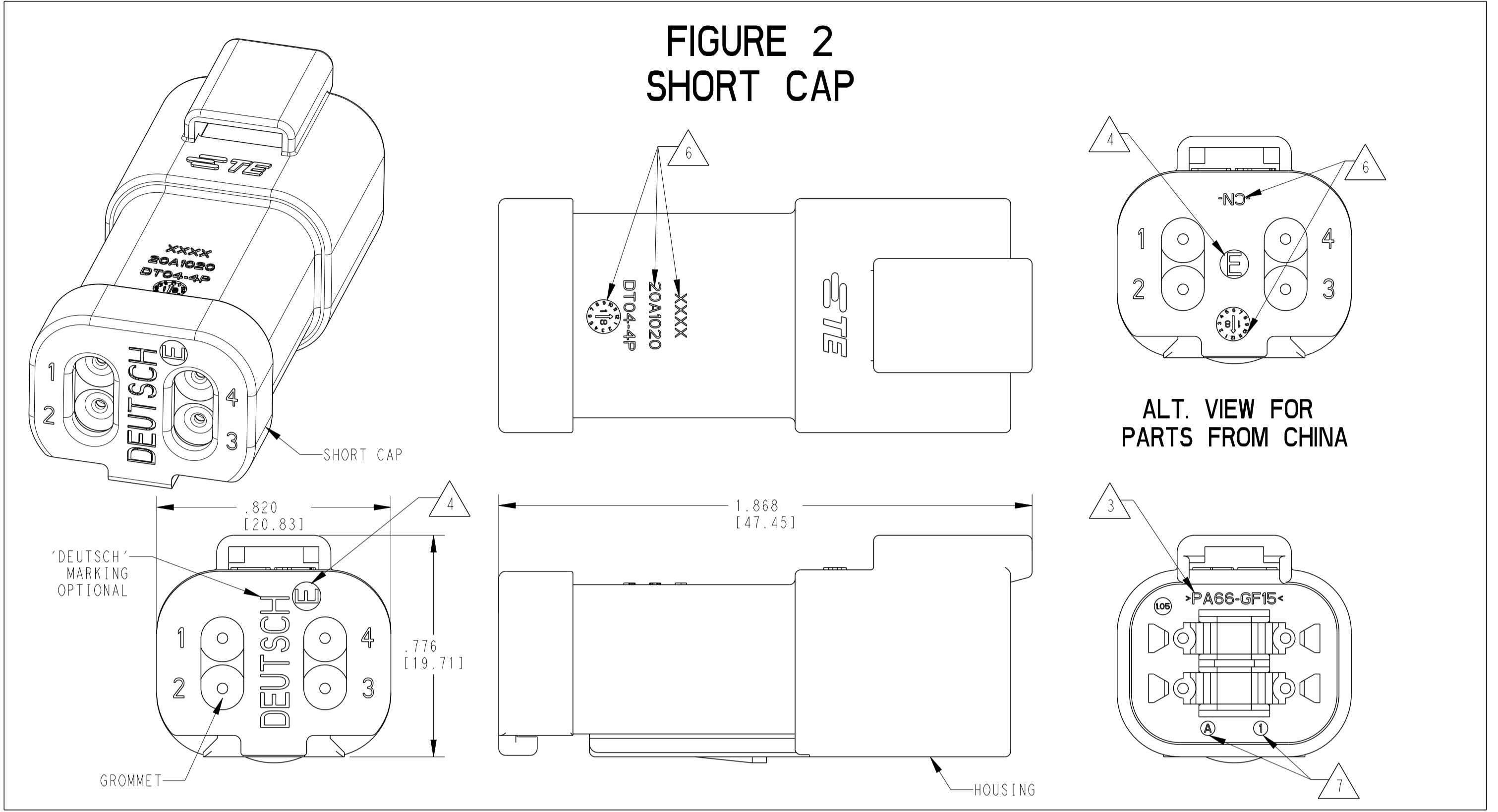
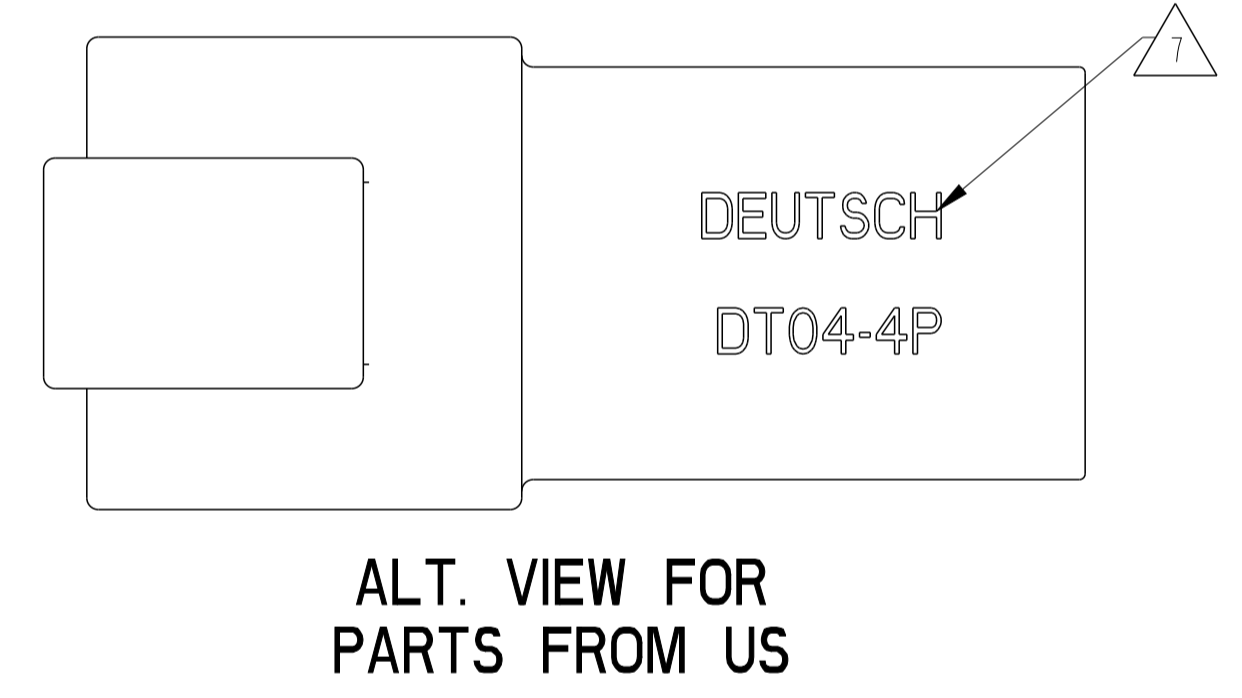
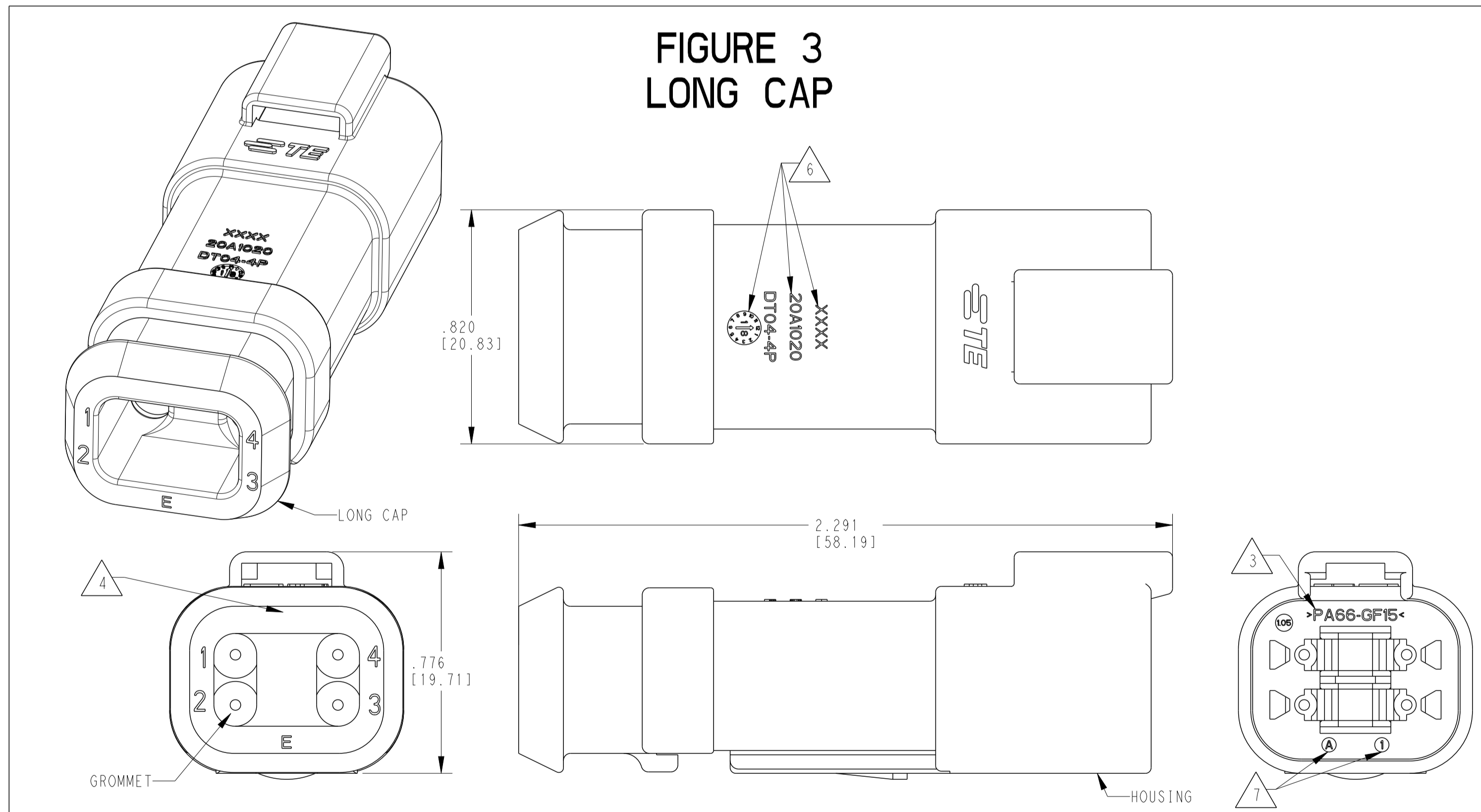


FIGURE 3 LONG CAP



CONTACT SIZE	WIRE RANGE	INSULATION OD SEALING RANGE	SEAL IDENTIFICATION
16	14-20 AWG [2.5-0.5mm ²]	.088-.145 [2.23-3.68] .053-.120 [1.35-3.05]	STANDARD SEAL EXTRA THIN SEAL E-SEAL

TE INTERNAL PART NUMBER	DEUTSCH PART NUMBER	PN REV	COLOR	STANDARD SEAL	EXTRA THIN SEAL E-SEAL	BLOCKED SEAL	SHORT CAP	LONG CAP	FIGURE
DT04-4P	DT04-4P	A	GRAY	X					1
DT04-4P-C015	DT04-C015	B	GRAY		X				1
DT04-4P-C017	DT04-4P-C017	B	GRAY			X	X		2
DT04-4P-CE01	DT04-4P-CE01	B	GRAY		X		X		2
DT04-4P-CE02	DT04-4P-CE02	B	BLACK		X				1
DT04-4P-CE03	DT04-4P-CE03	B	BLACK		X		X		2
DT04-4P-CE04	DT04-4P-CE04	B	GRAY		X			X	3
DT04-4P-CE09	DT04-4P-CE09	B	BLACK		X			X	3
DT04-4P-CE26	DT04-4P-CE26	A	BLACK			X	X		2
DT04-4P-E003	DT04-4P-E003	A	GRAY	X			X		2
DT04-4P-E004	DT04-4P-E004	A	BLACK	X					1
DT04-4P-E005	DT04-4P-E005	A	BLACK	X			X		2
DT04-4P-E008	DT04-4P-E008	B	GRAY	X				X	3
DT04-4P-EE01	DT04-4P-EE01	A	BLACK	X				X	3
DT04-4P-EP04	DT04-4P-EP04	B	GRAY	X			X		2
DT04-4P-P004	DT04-4P-P004	B	GRAY	X					1

6. MARKING FOR PARTS PRODUCED IN CHINA:
- XXXX IDENTIFIES THE MODIFICATION NUMBER, IF APPLICABLE. EXAMPLE: "E003" FOR DT04-4P-E003, OR BLANK FOR DT04-4P
 - DATE CODE: IDENTIFIES THE YEAR, MONTH, DAY AND HOUR OF ASSEMBLY. YEAR: FIRST AND SECOND DIGIT. (17 = 2017) MONTH: THIRD DIGIT, EXCLUDING 1. A = JAN, B = FEB, C = MARCH ... (K = OCTOBER) DAY: FOURTH AND FIFTH DIGITS (14 = 14th DAY) HOUR: SIXTH AND SEVENTH DIGITS (11 = 11AM)
 - DIAL DATE CODE LOCATED ON HOUSING AND/OR CAP.
 - CN LOCATED ON HOUSING AND/OR CAP.
7. MARKING FOR PARTS PRODUCED IN US:
- DATE CODE: YEAR TO BE LAST NUMERICAL DIGIT, EX: 1 = 2021 MONTH USES SEQUENTIAL ALPHA CHARACTERS, EX: A = JANUARY -DEUTSCH

4. "E" IDENTIFIES E-SEAL, LOCATED APPROX. AS SHOWN.
3. MATERIAL: HOUSING: PA66 GF15, SEE TABLE FOR COLOR SHORT, LONG CAP: PA66 GF15, SEE TABLE FOR COLOR GROMMET: E-SEAL VMO (BURNT ORANGE) N-SEAL VMO (RED-ORANGE) BLOCKED VMO (RED-ORANGE)
2. THIS RECEPTACLE MATES WITH DT06-4S-XXXX PLUG (XXXX = ALL MODIFICATIONS)
1. SECONDARY WEDGE LOCK SOLD SEPARATELY: W4PX-XXXX. (X = A,B,C,D KEY, XXXX = ALL MODIFICATIONS)

NOTES: UNLESS OTHERWISE SPECIFIED

THIS DRAWING IS A CONTROLLED DOCUMENT.

TE Connectivity

4 WAY RECEPTACLE, STANDARD SEAL EXTRA THIN SEAL, SHORT AND LONG CAP, DT SERIES

4FAF8 ©=DT04-4P-XXXX

SCALE 3:1 SHEET 1 OF 1 REV A