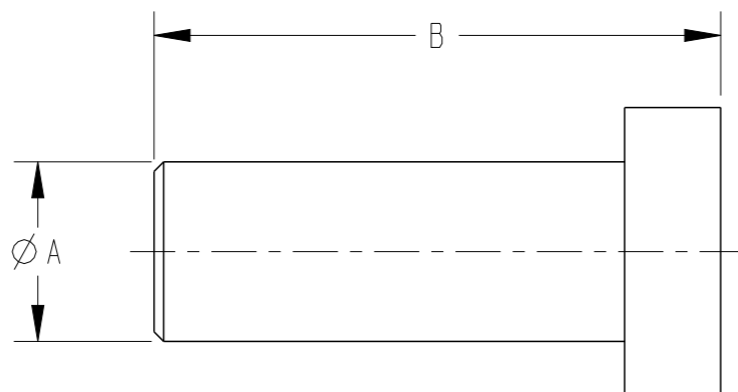
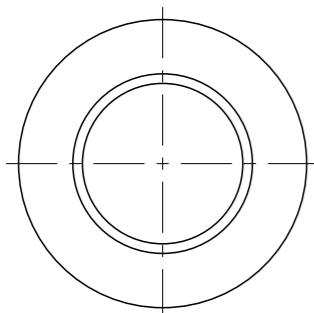
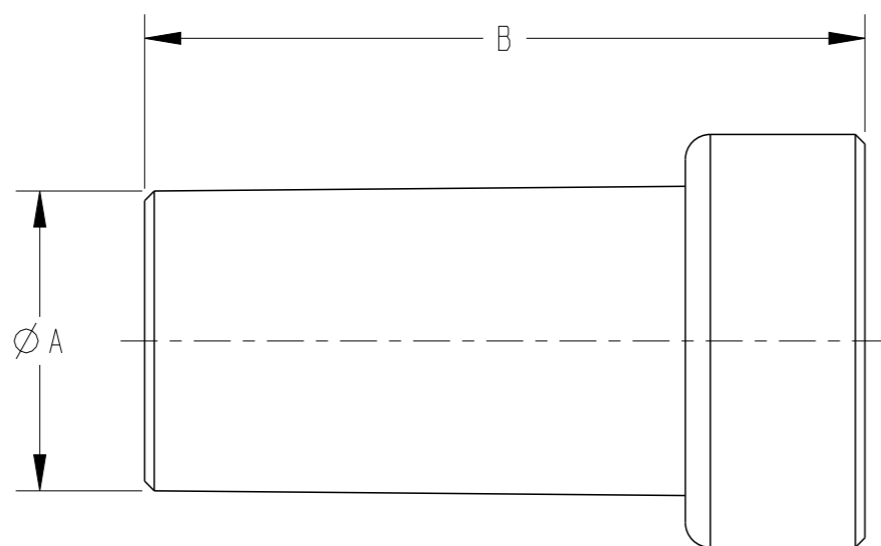
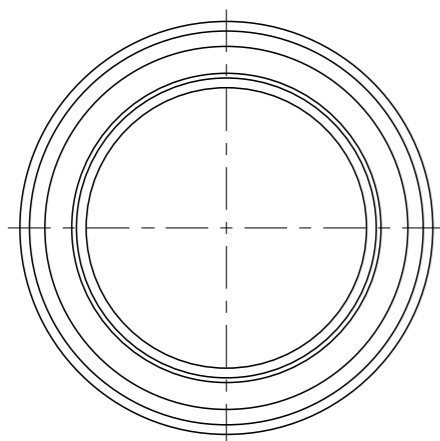


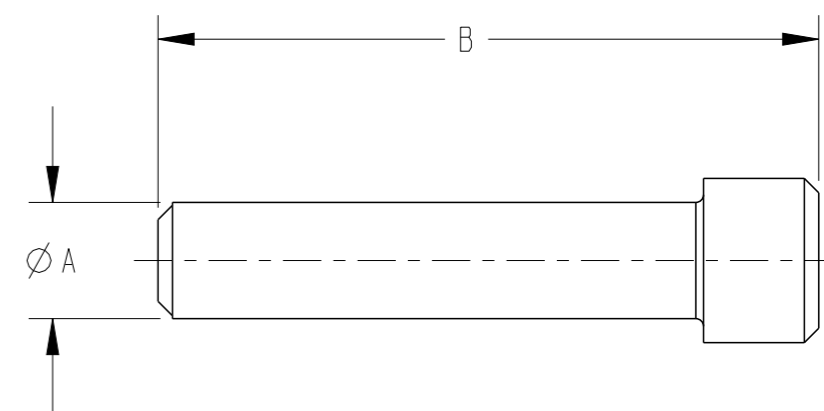
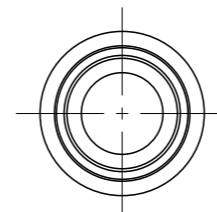
P	LTR	DESCRIPTION	DATE	DWN	APVD
	C	REVISED PER E.O. A4622	02MAY1986		JA
	D	REVISED/REDRAWN PER E.O. P18810	14JAN2005		RDR
	E	REVISED PER E.O. P19890	16JUN2008	RM	RDR
	F	REVISED PER PCN :E-18-004623	27MAR2018	DD	DM



**SIZE 8**



**SIZE 4**



**SIZE 12 & 16**

CONTACT SIZE	TE INTERNAL PN	DEUTSCH PN	COLOR	A ±.010 [±.25]	B ±.030 [±.76]
12 & 16	114017-ZZ	114017	WHITE	.121 [3.07]	.688 [17.48]
8	114018-ZZ	114018	WHITE	.187 [4.75]	.590 [14.99]
4	114019-ZZ	114019	RED-ORANGE	.312 [7.92]	.750 [19.05]

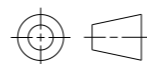
THIS DRAWING IS A CONTROLLED DOCUMENT.

DWN	12 JAN 2005
R. MESSENGER	
CHK	13 JUN 2008
I. GRANTCHAROVA	
APVD	04 JUN 2008
S. BEARD	

**STE** TE Connectivity

DIMENSIONS:  
in [mm]

TOLERANCES UNLESS  
OTHERWISE SPECIFIED:



0 PLC	±
1 PLC	±
2 PLC	±
3 PLC	± SEE TABLE
4 PLC	±
ANGLES	±0° 30' 0"

MATERIAL



FINISH

PRODUCT SPEC	-
APPLICATION SPEC	-
WEIGHT	-

NAME  
**PLUG, SEALING  
INDUSTRIAL CONNECTOR  
SIZES 16, 12, 8, AND 4**

SIZE	CAGE CODE	DRAWING NO	RESTRICTED TO
A3	4AFU8	©=114017/114019	-

1 MATERIAL: SIZES 16, 12, & 8 - PBT GF30  
SIZE 4 - VMQ

NOTES: UNLESS OTHERWISE SPECIFIED

CUSTOMER DRAWING	SCALE 5:1	SHEET 1 OF 1	REV F
------------------	-----------	--------------	-------