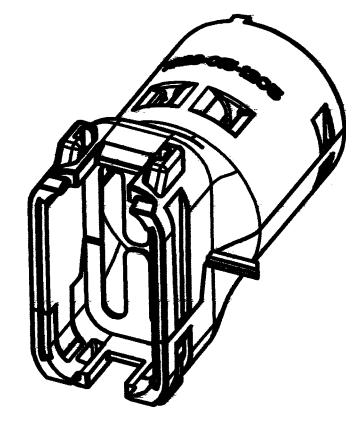
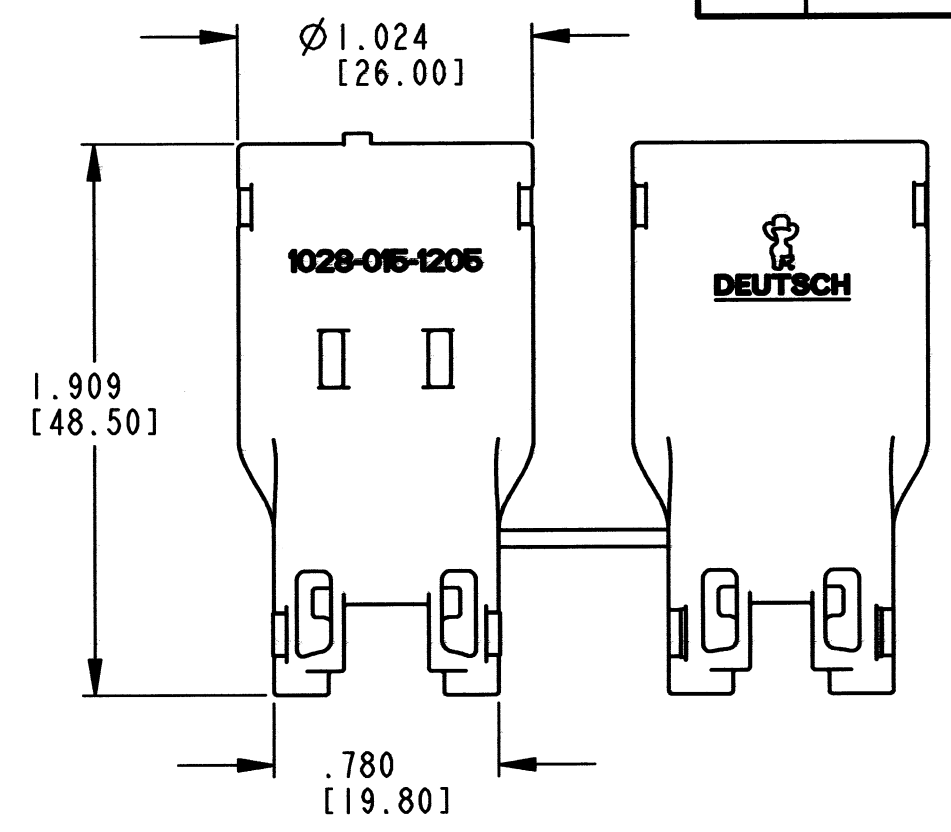
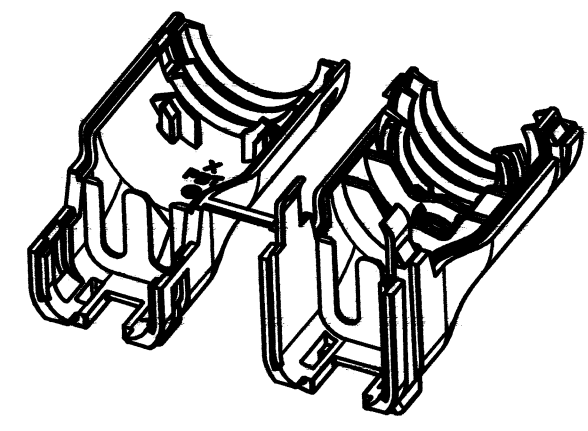
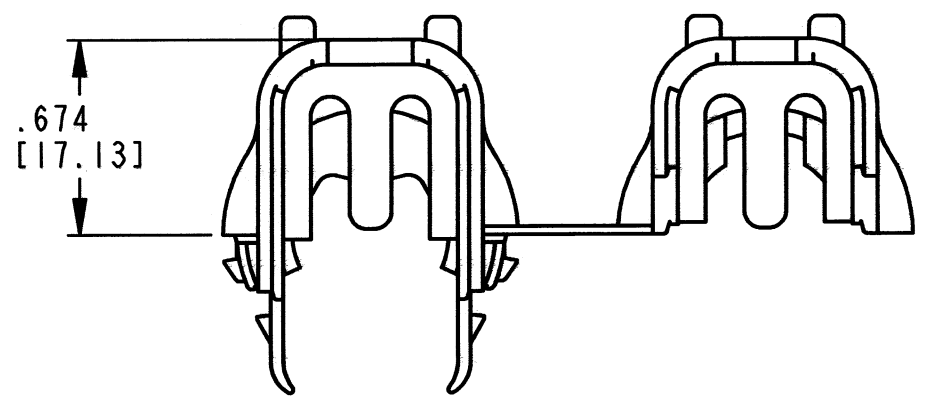
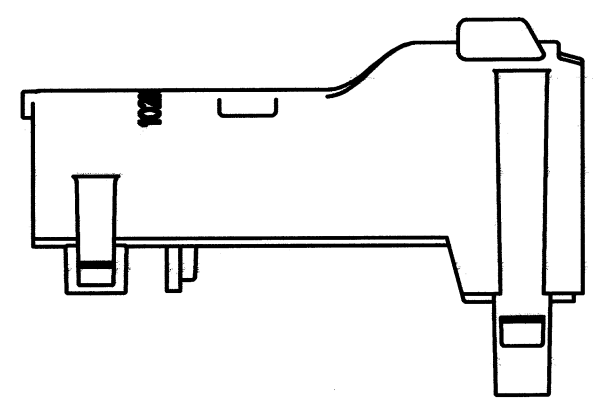


REV  
NC 1028-015-1205

REVISIONS			
SYM	DESCRIPTION	DATE	APPROVED
NC	NEW RELEASE PER E.O. P20981	8-26-11	RDP



**3D VIEW**  
CLOSED



**3D VIEW**  
OPEN

- NOTES:
1. ALL DIMENSIONS ARE IN INCHES [MILLIMETERS] AND ARE ±.025[.64] UNLESS OTHERWISE SPECIFIED.
  2. THIS PART MATES WITH DTM06-12S\*-\*\*\*\* PLUG WITH ANY MODIFICATION THAT DOES NOT INCLUDE AN END CAP. (\* = KEY ARR. A,B,C,D; \*\*\*\* = MODIFICATION)
  3. MATERIAL: PLASTIC; COLOR: BLACK

SIGNATURE & DATE	
DR	A. MALAGON 15 JUN 11
CHK	<i>[Signature]</i> 8/26/11
PE	<i>[Signature]</i> 8-9-11
APPD	<i>[Signature]</i> 8/26/11
SCALE	NONE
WT	

BACKSHELL  
SWIVEL ADAPTER  
12 PIN PLUG  
DTM SERIES

ENVELOPE

EP	MATL. CODE
3850 INDUSTRIAL AVE. HEMET, CA 92545	
<b>B</b>	<b>1028-015-1205</b>
DWG SIZE	CODE 11139 SHEET   OF