

THIS DRAWING IS UNPUBLISHED.

RELEASED FOR PUBLICATION

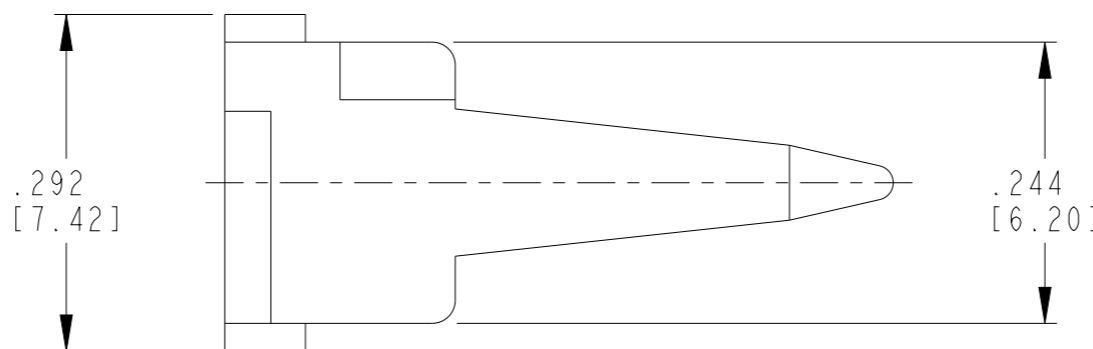
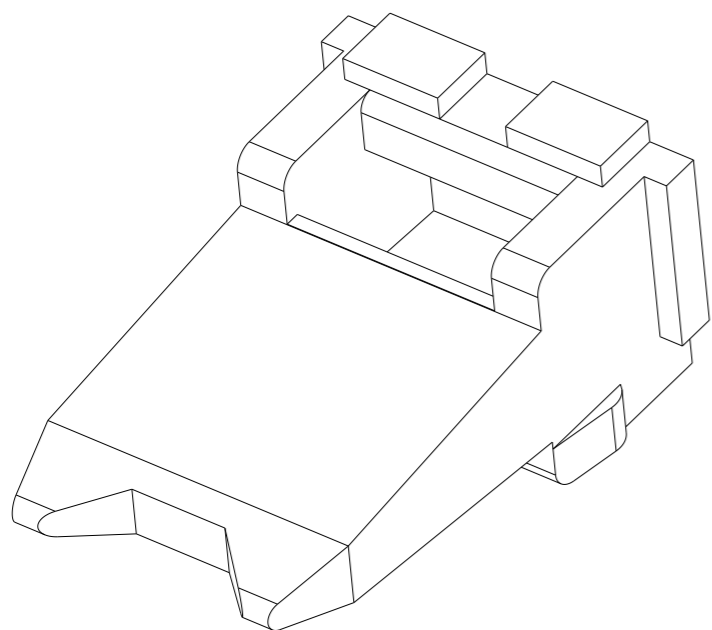
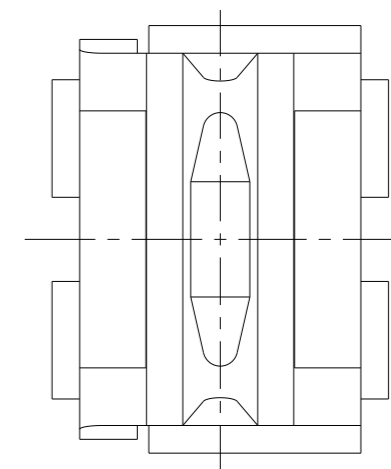
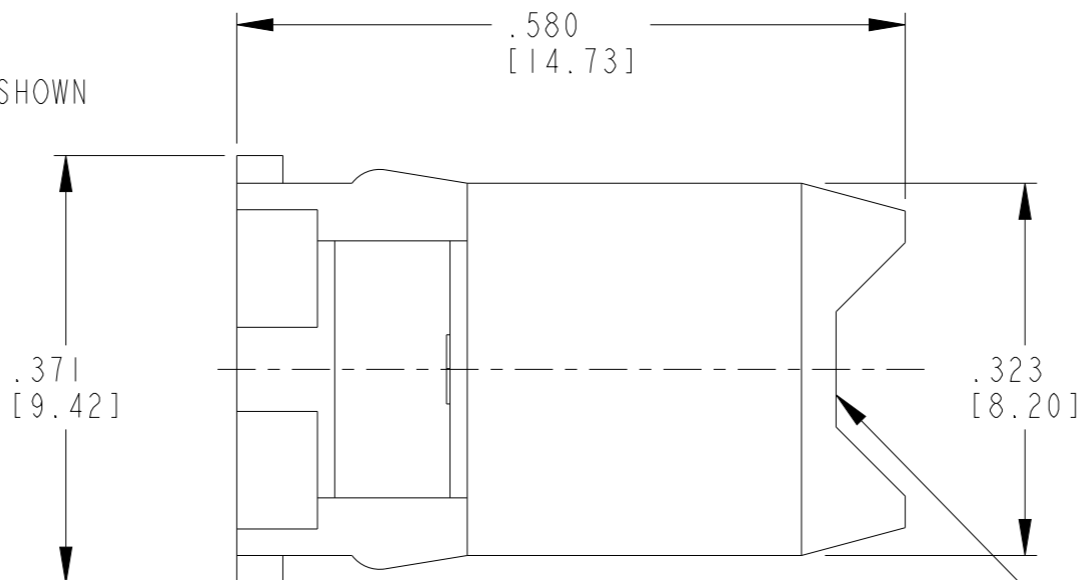
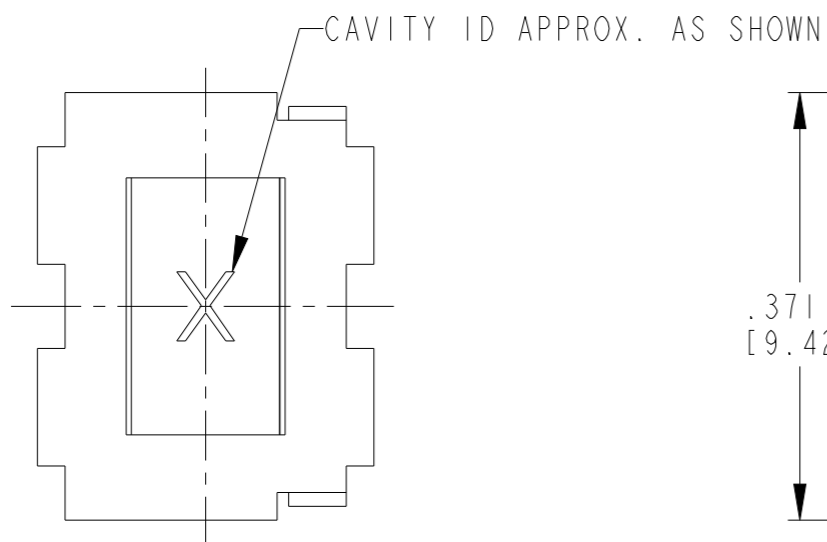
2014

© COPYRIGHT 2014 TE CONNECTIVITY


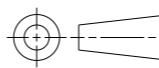
ALL RIGHTS RESERVED.

LOC	DIST
-	-

REVISIONS					
P	LTR	DESCRIPTION	DATE	DWN	APVD
	NC	NEW RELEASE PER EO A09299	2/9/90	CW	JA
	A	REVISED PER EO PI5887	2/15/99	ST	RDR
	B	REVISED PER ECO-14-003390	3/26/14	RLM	DM
	G	REVISED PER PCN-23-190134	29SEP2023	GB	CB



1. USED WITH DT04-4P-XXXX (XXXX = ALL MODIFICATIONS).
CONSULT FACTORY FOR MODIFICATION AND APPLICATION.

THIS DRAWING IS A CONTROLLED DOCUMENT.		DWN R. MESSENGER 08JAN2014	 TE Connectivity						
DIMENSIONS: INCHES [mm]		CHK R. MESSENGER 09JAN2014							
TOLERANCES UNLESS OTHERWISE SPECIFIED:		APVD D. MEYER 20FEB2014	NAME WEDGE LOCK 4 WAY RECEPTACLE DT SERIES						
 0 PLC ±- 1 PLC ±- 2 PLC ±- 3 PLC ±.025 [0.64] 4 PLC ±- ANGLES ±0°30'0"		PRODUCT SPEC 108-151009	SIZE A3	CAGE CODE 4AFU8	DRAWING NO G-W4P	RESTRICTED TO -			
MATERIAL PBT GF30 GREEN		FINISH -	APPLICATION SPEC 114-151009	WEIGHT 0.48 g	SCALE 6:1		SHEET 1	OF 1	REV G
CUSTOMER DRAWING									