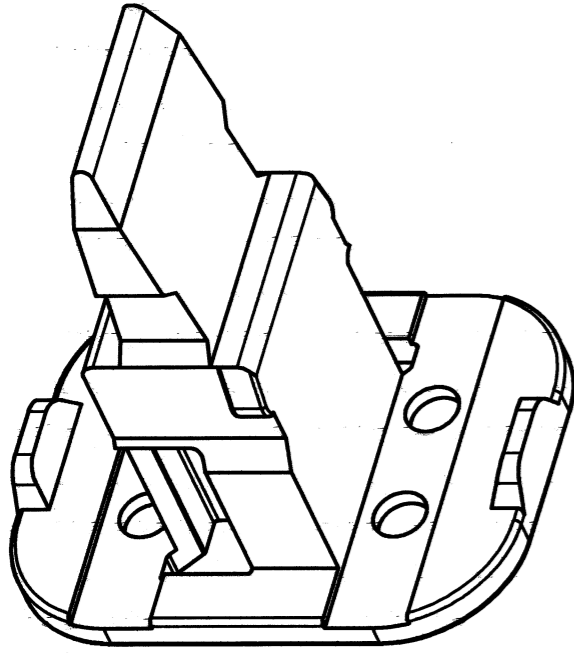
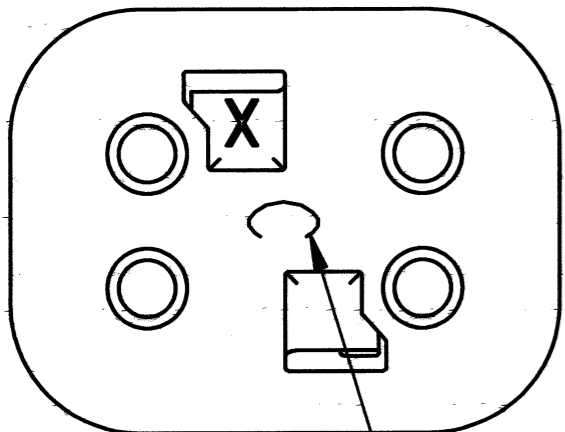
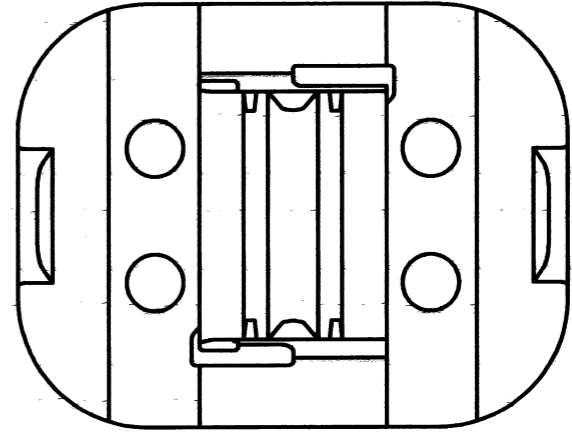
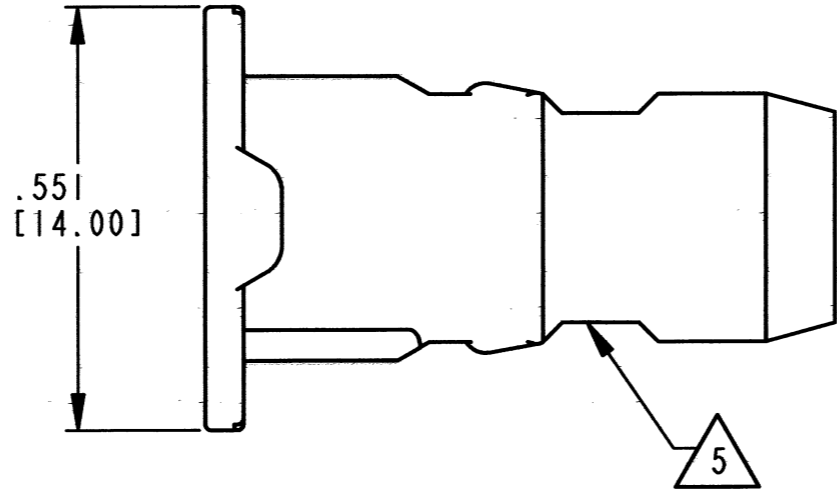
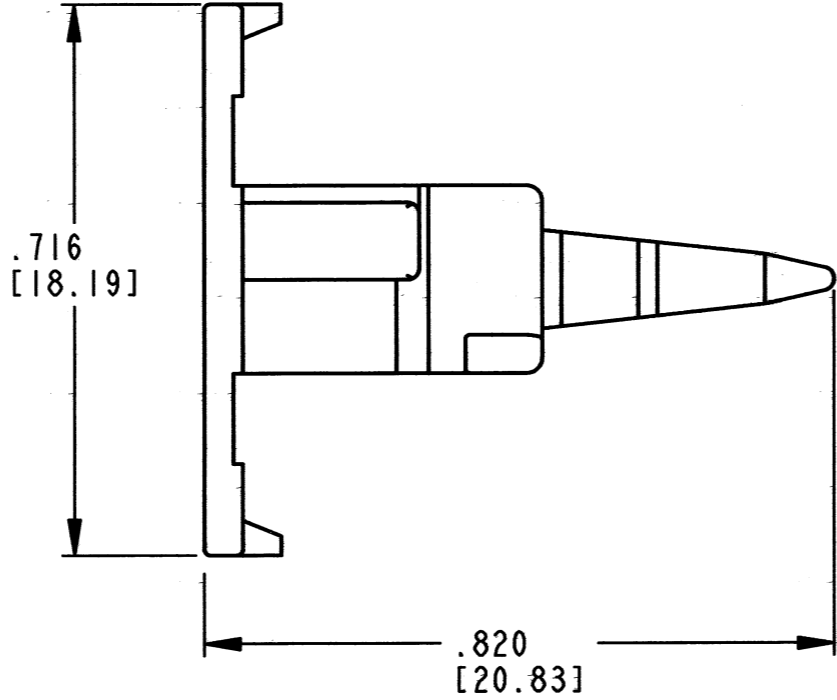


REV
B
W4SC-P012

REVISIONS			
SYM	DESCRIPTION	DATE	APPROVED
NC	NEW RELEASE PER E.O. P16277	9/8/99	R.D.R.
A	REVISED PER E.O. P17613	2/4/02	R.D.R.
B	REVISED PER E.O. P20857	4-4-11	RDR



3D VIEW



WEDGE KEY IDENTIFICATION

- 5. CUTOUT FEATURE OPTIONAL, 2 PLACES.
- 4. MATERIAL: PLASTIC; COLOR: GREEN.
- 3. THIS WEDGE LOCK IS UTILIZED BY DT06-4S-P012. WEDGE DESIGNED TO MATE WITH RECEPTACLE WEDGE W4PC.
- 2. DIMENSIONS ARE ±.025[0.63] UNLESS OTHERWISE SPECIFIED.

NOTES: 1. DIMENSIONS ARE IN INCHES [MILLIMETERS].

SIGNATURE & DATE	
DR	S. THEIS 8/27/99
CHK	[Signature] 4/4/2011
PE	[Signature] 3/21/11
APPD	[Signature]
SCALE	NONE WT

WEDGE LOCK
-C- KEY POSITION
P012 MOD
COLOR: GREEN
DT SERIES

ENVELOPE

EP	MATL. CODE
3850 INDUSTRIAL AVE. HEMET, CA 92545	
B	W4SC-P012
DWG SIZE	CODE SHEET OF