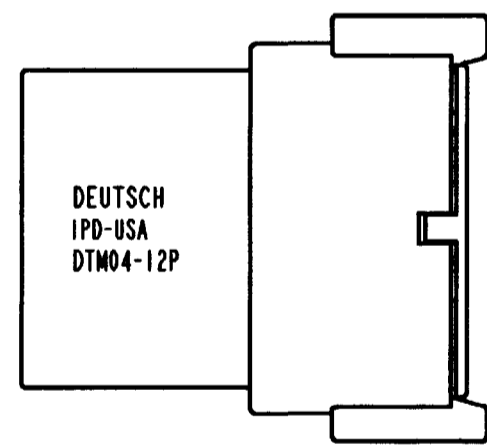
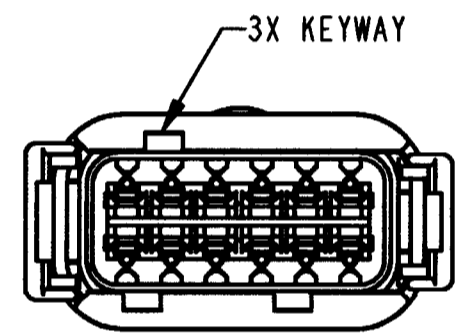
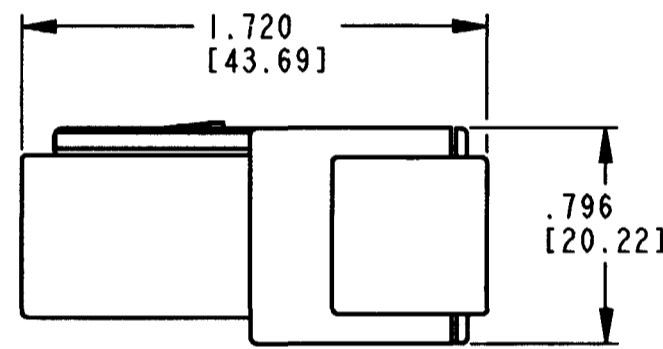
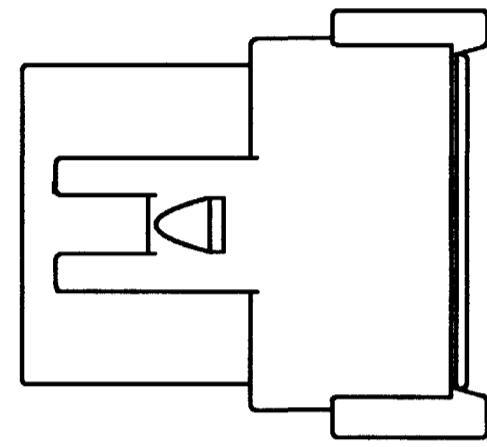
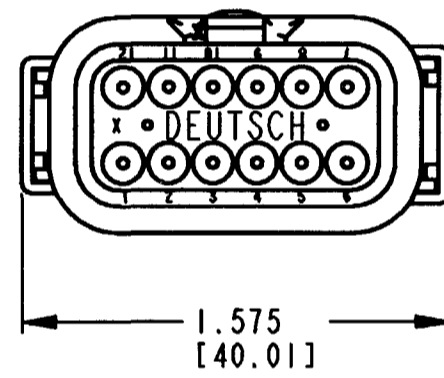


REV  
NC

DTM04-12P\*

REVISIONS

SYM	DESCRIPTION	DATE	APPROVED
NC	NEW RELEASE PER E.O. P18487	2-19-04	RDA



- 7. SEE SHEET 2 FOR OTHER KEY ARRANGEMENTS.
  - 6. MATERIAL - HOUSING: PLASTIC; GROMMET: RUBBER.
  - 5. THIS RECEPTACLE MATES WITH DTM06-12S\*-\*\*\*\* PLUG. (\* = A,B,C,D KEYS; \*\*\*\* = ALL MODIFICATIONS)
  - △ FOR CONTACT AND WIRE PERFORMANCE AND APPLICATION CHARACTERISTICS SEE ENVELOPE DRAWING 0425-015-0000.
  - 3. SECONDARY WEDGE LOCK SOLD SEPARATELY: WM-12P.
  - 2. DIMENSION TOLERANCE: ±.025 [.64].
  - 1. DIMENSIONS ARE IN INCHES [mm].
- NOTES: UNLESS OTHERWISE SPECIFIED

CONTACT SIZE	MIN. INSUL. O.D.	MAX. INSUL. O.D.	WIRE RANGE [mm <sup>2</sup> ] REF ONLY
20	.053 [1.35]	.120 [3.05]	16-20 AWG [1.0-0.5]

SIGNATURE & DATE	
DR	D. MEYER 02/12/04
CHK	J. Lim 2/18/04
PE	Dr Meyer 2/18/04
APPD	R. Reed 2-19-04
SCALE	NONE WT

RECEPTACLE  
12 CONTACTS, SIZE 20  
A,B,C,D KEYS  
DTM SERIES

ENVELOPE

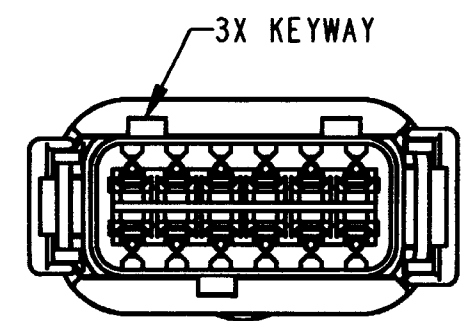
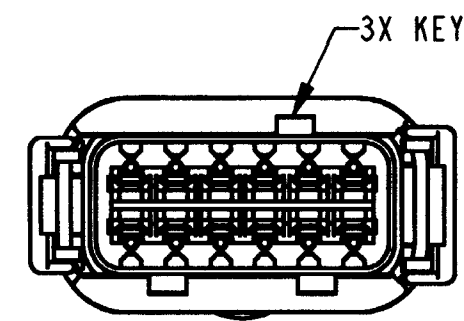
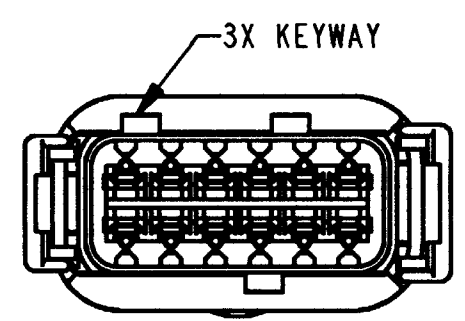
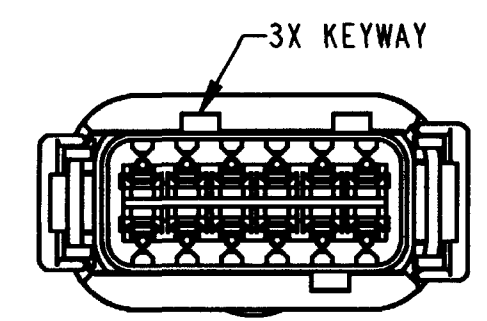
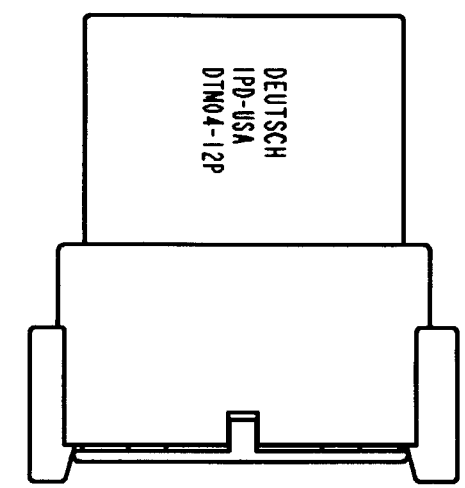
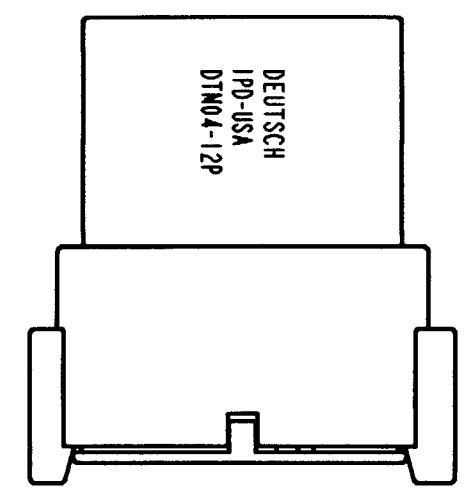
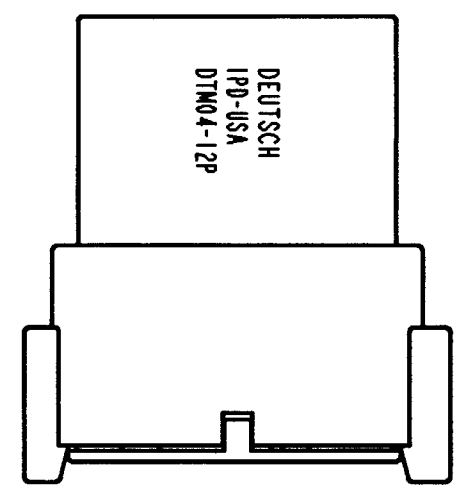
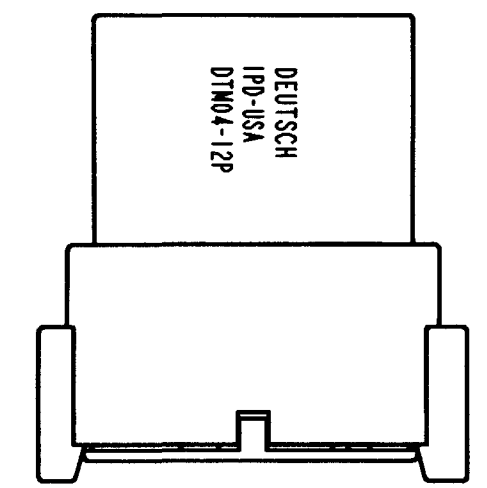
CP	MATL. CODE
<b>The Deutsch Company</b> DEUTSCH I.P.D. 3850 INDUSTRIAL AVE. HEMET, CALIF. 92545	
<b>B</b>	<b>DTM04-12P*</b>
DWG SIZE	CODE 11139 SHEET 1 OF 2

REV  
NC

DTM04-12P\*

REVISIONS

SYM	DESCRIPTION	DATE	APPROVED
	SEE SHEET 1	2-19-04	RDR



DTM04-12PA  
KEY -A-  
COLOR: GREY

DTM04-12PB  
KEY -B-  
COLOR: BLACK

DTM04-12PC  
KEY -C-  
COLOR: GREEN

DTM04-12PD  
KEY -D-  
COLOR: BROWN

NOTES:

	SIGNATURE & DATE
DR	D. MEYER 02/12/04
CHK	J. Lim 2/18/04
PE	D. Meyer 2/12/04
APPD	A. Reed 2-19-04
SCALE	NONE WT

RECEPTACLE  
12 CONTACTS, SIZE 20  
A, B, C, D KEYS  
DTM SERIES

ENVELOPE

CP	MATL. CODE
<b>The Deutsch Company</b> DEUTSCH I.P.D. 3850 INDUSTRIAL AVE. HEMET, CALIF. 92545	
<b>B</b>	<b>DTM04-12P*</b>
DWG SIZE	CODE 11139 SHEET 2 OF 2