

REVISIONS				
P	LTN	DESCRIPTION	DATE	APPD
A		INITIAL RELEASE PER E-21-003453	16DEC2021	AP 1G
A1		REVISED PER PCN-22-154423	30SEP2022	AM 1G

FIGURE 1

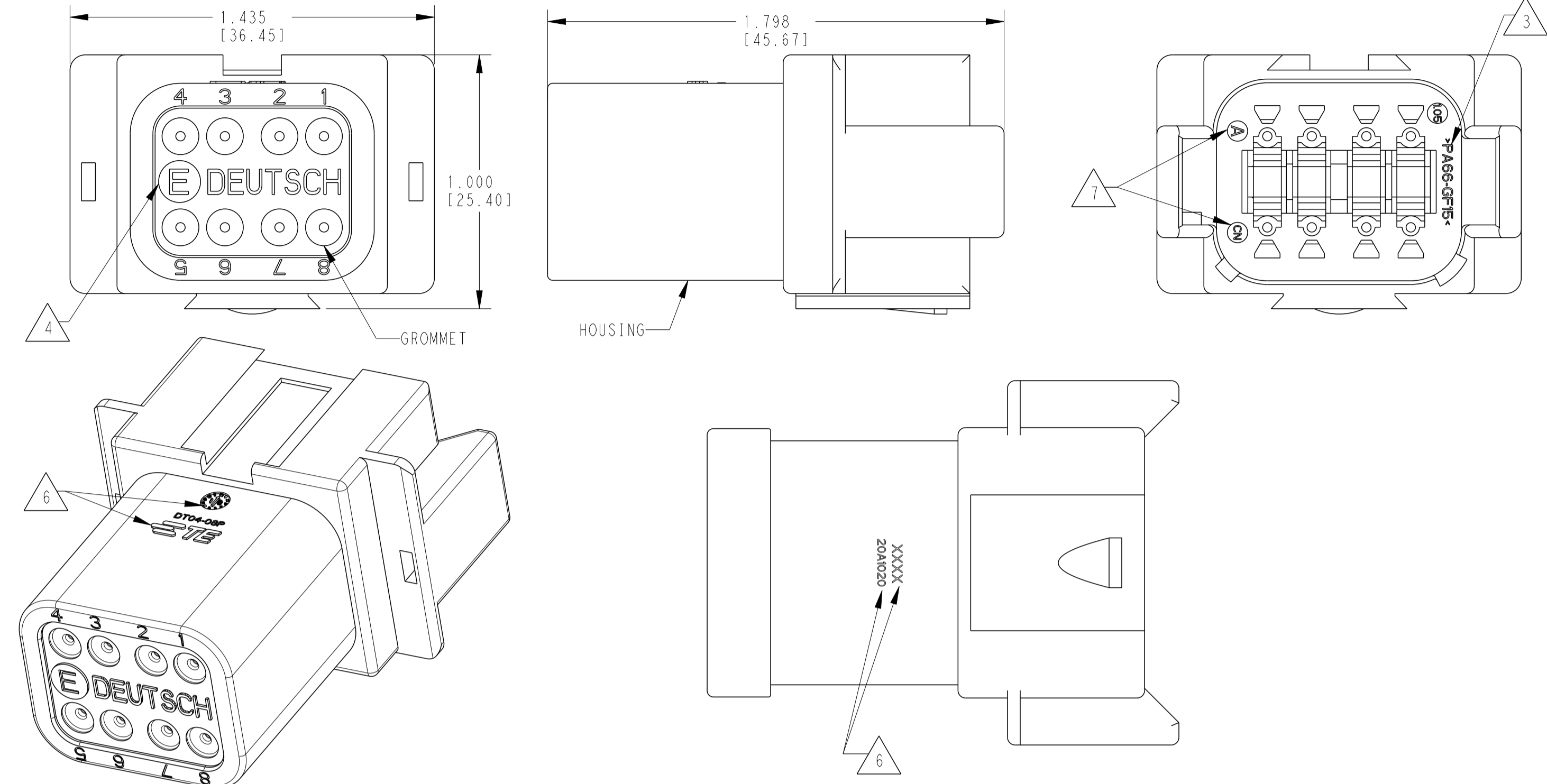


FIGURE 2 SHORT CAP

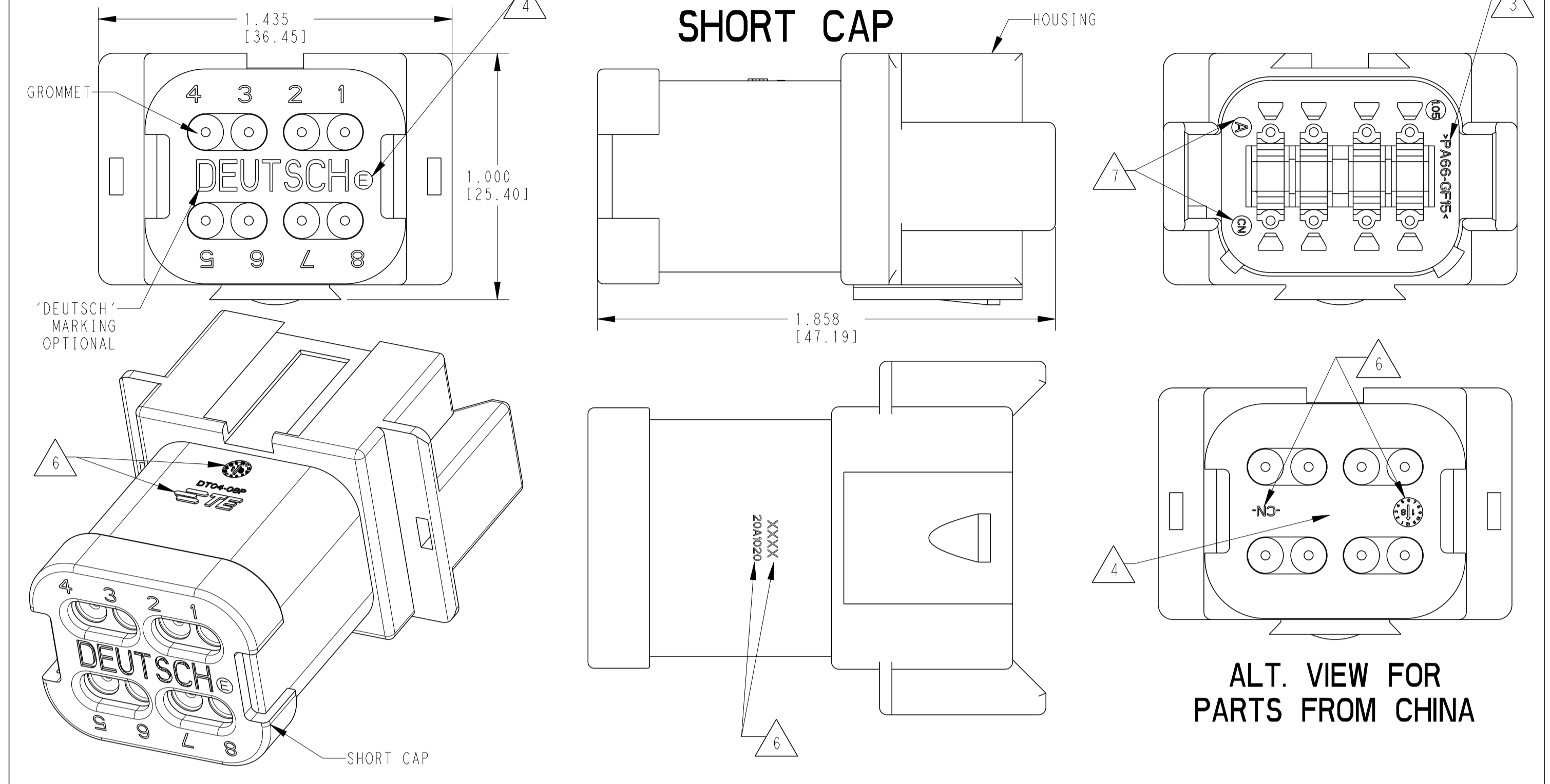
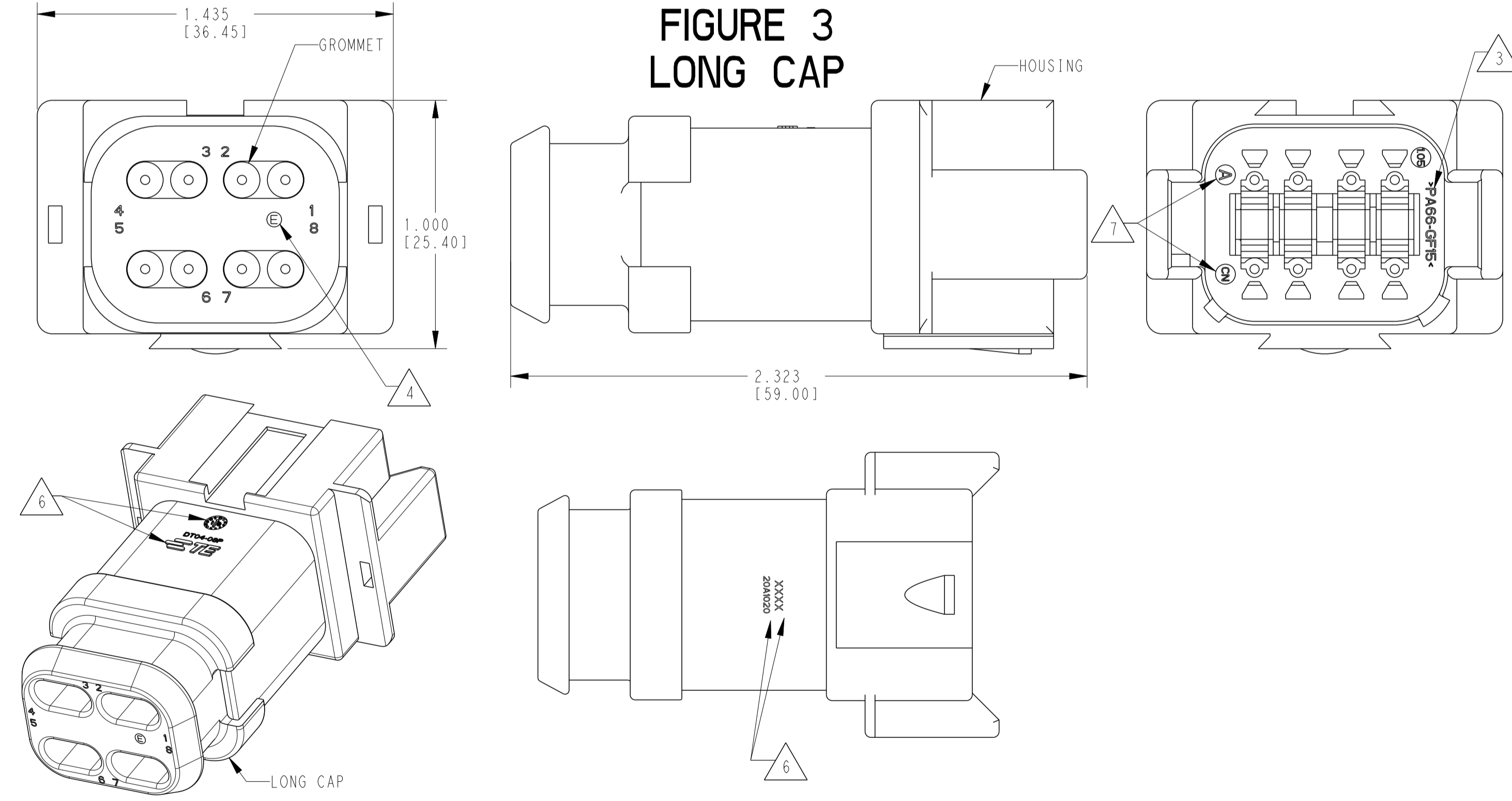
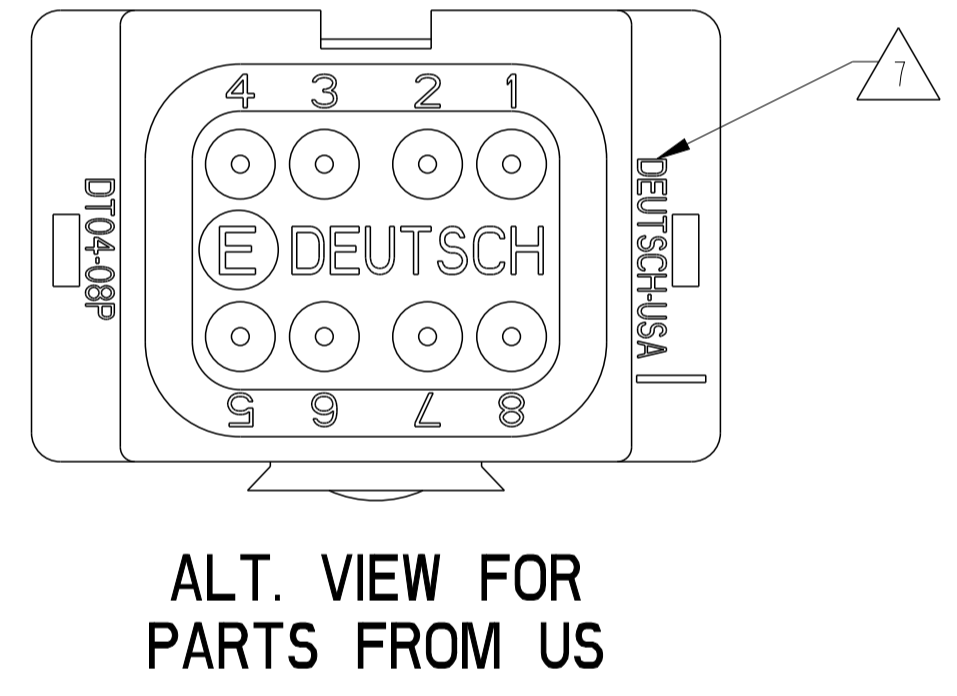


FIGURE 3 LONG CAP



CONTACT SIZE	WIRE RANGE	INSULATION OD SEALING RANGE	SEAL IDENTIFICATION
16	14-20 AWG [2.5-0.5mm ²]	.088-.145 [2.23-3.68]	STANDARD SEAL
		.053-.120 [1.35-3.05]	EXTRA THIN SEAL E-SEAL



TE INTERNAL PART NUMBER	DEUTSCH PART NUMBER	PN REV	COLOR	STANDARD SEAL	EXTRA THIN SEAL E-SEAL	BLOCKED SEAL	SHORT CAP	LONG CAP	FIGURE
DT04-08PX	DT04-08PX	A	ALL	X					1
DT04-08PX-C015	DT04-08PX-C015	F	ALL		X				1
DT04-08PX-C017	DT04-08PX-C017	A	ALL			X	X		2
DT04-08PX-CE01	DT04-08PX-CE01	C	ALL		X		X		2
DT04-08PA-CE02	DT04-08PA-CE02	B	BLACK		X				1
DT04-08PA-CE03	DT04-08PA-CE03	B	BLACK		X		X		2
DT04-08PA-CE04	DT04-08PA-CE04	B	GRAY		X			X	3
DT04-08PA-CE09	DT04-08PA-CE09	AC	BLACK		X			X	3
DT04-08PA-CE26	DT04-08PA-CE26	A	BLACK			X	X		2
DT04-08PX-E003	DT04-08PX-E003	A	ALL	X			X		2
DT04-08PA-E004	DT04-08PA-E004	A	BLACK	X					1
DT04-08PA-E005	DT04-08PA-E005	A	BLACK	X			X		2
DT04-08PX-E008	DT04-08PX-E008	A	ALL	X				X	3
DT04-08PA-EE01	DT04-08PA-EE01	A	BLACK	X				X	3
DT04-08PX-EP04	DT04-08PX-EP04	C	ALL	X			X		2
DT04-08PX-P004	DT04-08PX-P004	C	ALL	X					1

- △ 6 MARKING FOR PARTS PRODUCED IN CHINA:
- XXXX IDENTIFIES THE MODIFICATION NUMBER, IF APPLICABLE. EXAMPLE: "E003" FOR DT04-08PA-E003, OR BLANK FOR DT04-08PA
 - DATE CODE: IDENTIFIES THE YEAR, MONTH, DAY AND HOUR OF ASSEMBLY.
YEAR: FIRST AND SECOND DIGIT. (17 = 2017)
MONTH: THIRD DIGIT, EXCLUDING 1. A = JAN, B = FEB, C = MARCH ... (K = OCTOBER)
DAY: FOURTH AND FIFTH DIGITS (14 = 14th DAY)
HOUR: SIXTH AND SEVENTH DIGITS (11 = 11AM)
 - DIAL DATE CODE LOCATED ON HOUSING AND/OR CAP.
-CN LOCATED ON HOUSING AND/OR CAP.
- △ 7 MARKING FOR PARTS PRODUCED IN US:
- DATE CODE: YEAR TO BE LAST NUMERICAL DIGIT, EX: 1 = 2021
MONTH USES SEQUENTIAL ALPHA CHARACTERS, EX: A = JANUARY
-DEUTSCH

- △ 4 "E" IDENTIFIES E-SEAL, LOCATED APPROX. AS SHOWN.
- △ 3 MATERIAL: HOUSING: PA66 GF15, SEE TABLE FOR COLOR
SHORT, LONG CAP: PA66 GF15, SEE LABEL FOR COLOR
GROMMET: E-SEAL VMO (BURNT ORANGE)
N-SEAL VMO (RED-ORANGE)
BLOCKED VMO (RED-ORANGE)
2. THIS RECEPTACLE MATES WITH DT06-08SX-XXXX PLUG (X = A,B,C,D KEY, XXXX = ALL MODIFICATIONS)
1. SECONDARY WEDGE LOCK SOLD SEPARATELY: W8P-XXXX. (XXXX = ALL MODIFICATIONS)
- NOTES: UNLESS OTHERWISE SPECIFIED

THIS DRAWING IS A CONTROLLED DOCUMENT.

TE Connectivity

8 WAY RECEPTACLE, STANDARD SEAL EXTRA THIN SEAL, SHORT AND LONG CAP, DT SERIES

4AFU8 ©=DT04-08PX-XXXX

SCALE 2:1 SHEET 1 OF 2 REV A1

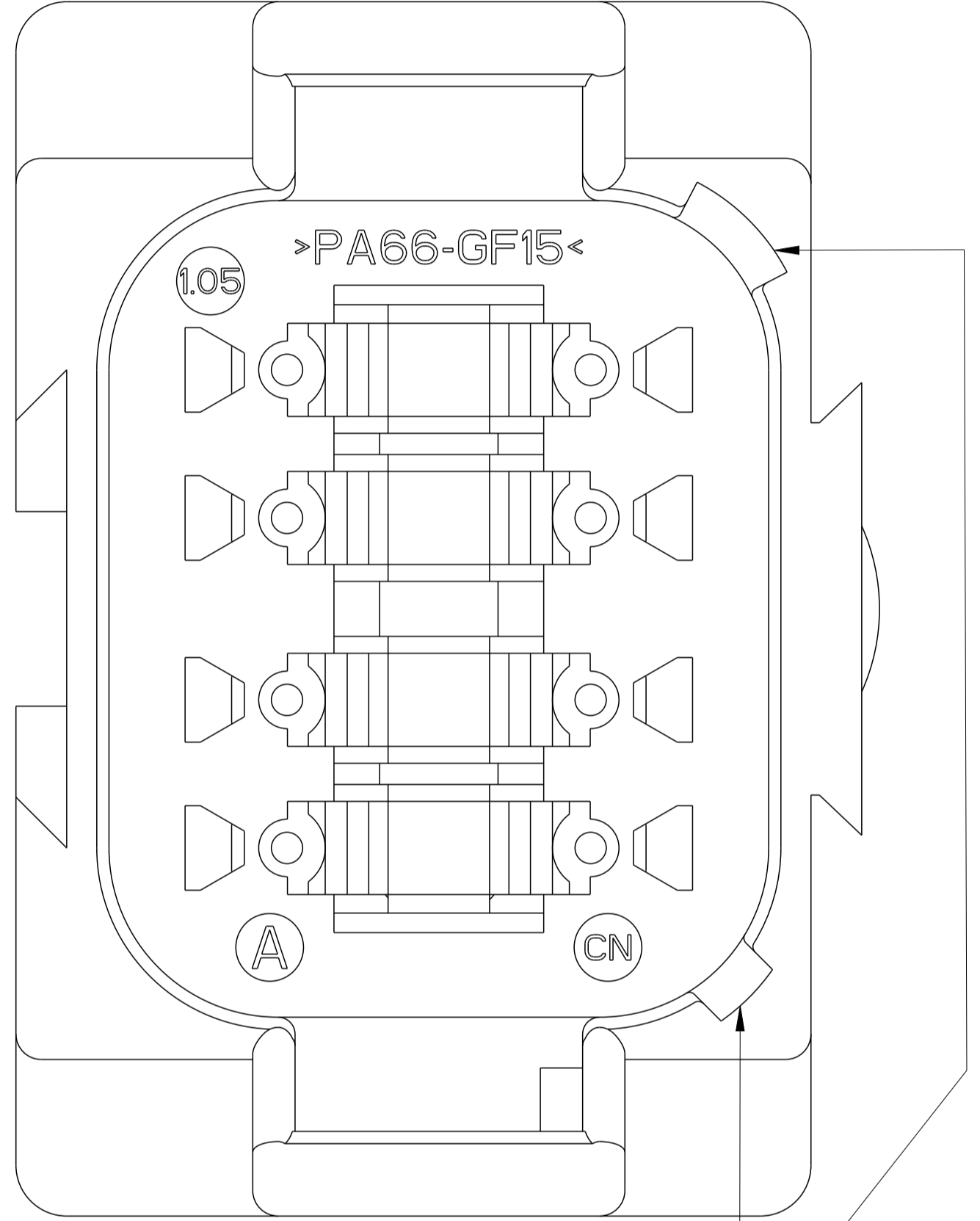
REVISIONS				
P	LTN	DESCRIPTION	DATE	APVD
-		SEE SHEET 1	-	-

DT04-08PA-XXXX
 KEY -A-
 COLOR: GRAY
 SEE PN TABLE FOR BLACK PNs

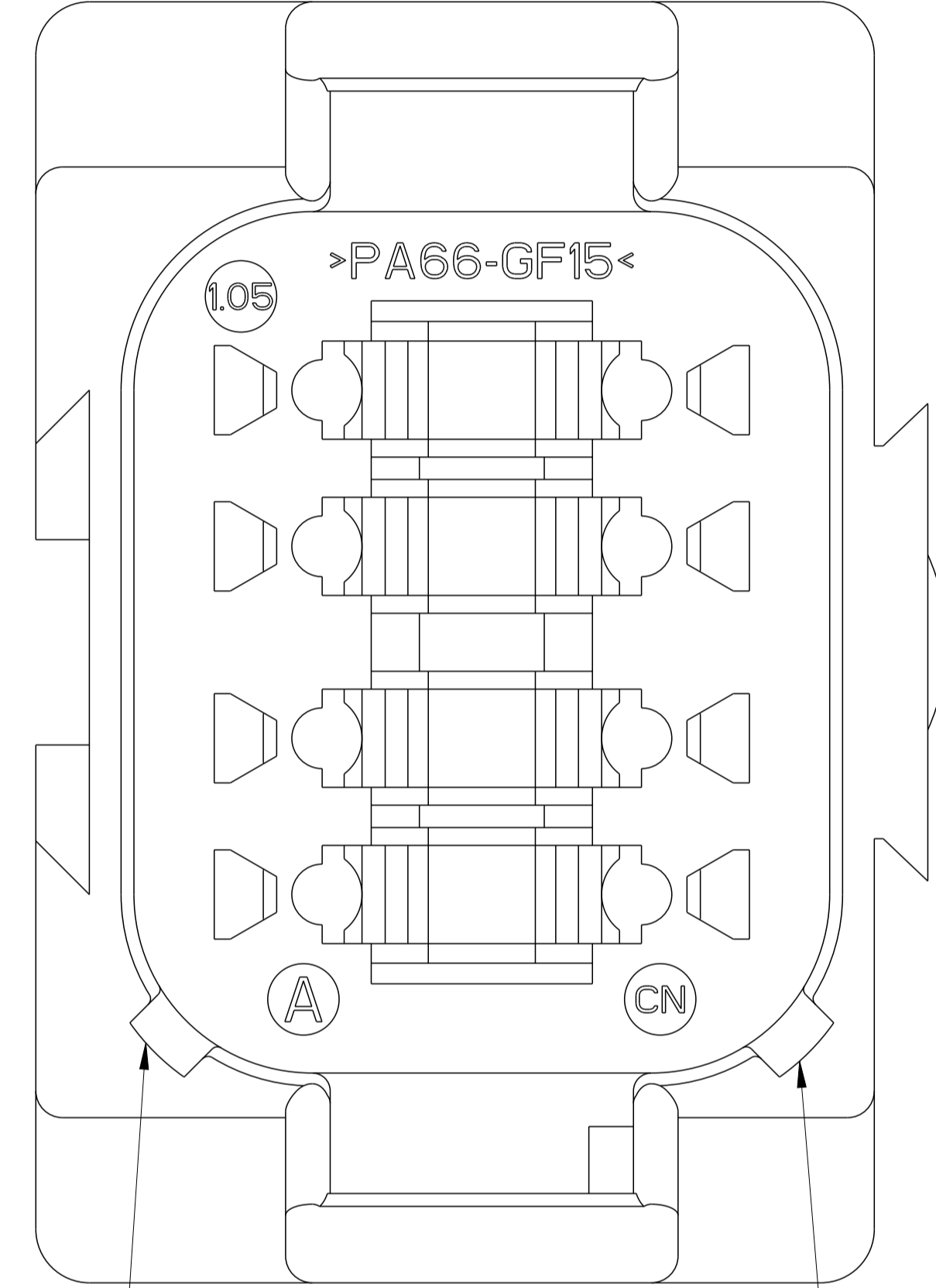
DT04-08PB-XXXX
 KEY -B-
 COLOR: BLACK

DT04-08PC-XXXX
 KEY -C-
 COLOR: GREEN

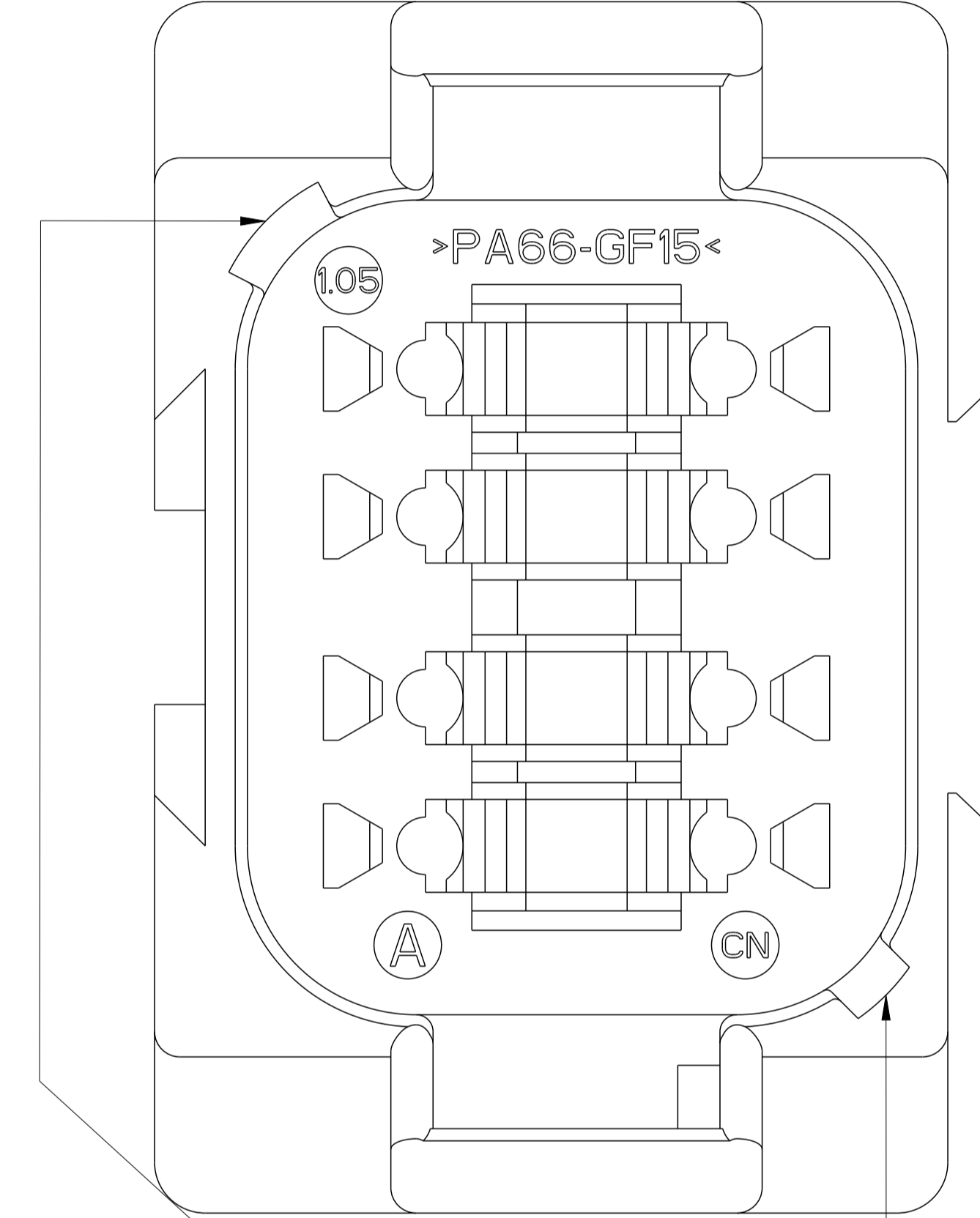
DT04-08PD-XXXX
 KEY -D-
 COLOR: BROWN



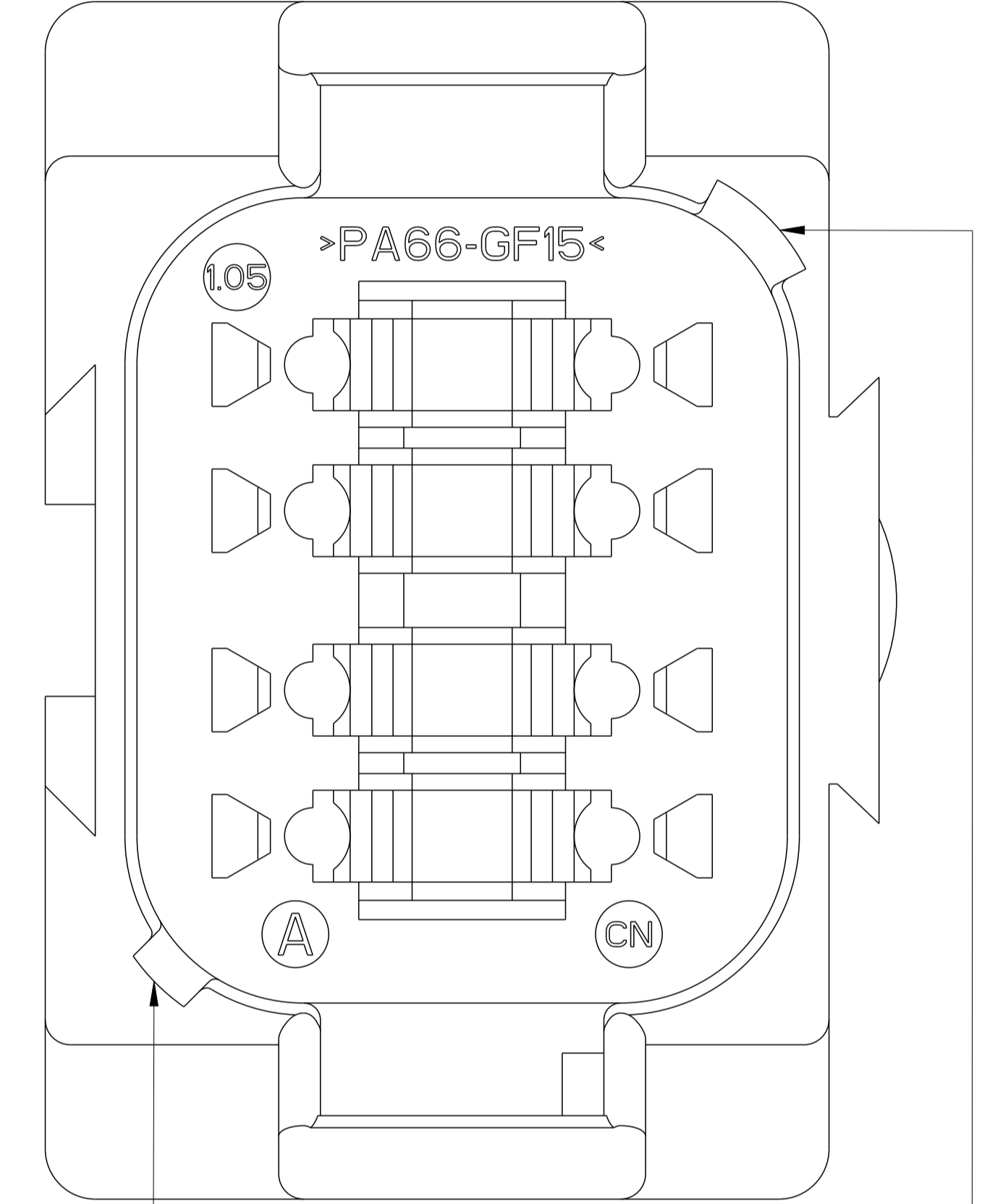
KEY -A-



KEY -B-



KEY -C-



KEY -D-

THIS DRAWING IS A CONTROLLED DOCUMENT.		DWN: A. POLO 16DEC2021	
		CHK: R. MESSENGER 16DEC2021	
DIMENSIONS: IN [mm]		APVD: J. GRANTCHAROVA 16DEC2021	NAME: 8 WAY RECEPTACLE, STANDARD SEAL EXTRA THING SEAL, SHORT AND LONG CAP, DT SERIES SIZE: CAGE CODE DRAWING NO: A 4AFU8 DT04-08PX-XXXX RESTRICTED TO: -
TOLERANCES UNLESS OTHERWISE SPECIFIED: 0 PLC ± 1 PLC ± 2 PLC ± 0.25 (0.64) 3 PLC ± 4 PLC ± ANGLES: 40° 30' 0"		PRODUCT SPEC: 108-151009 APPLICATION SPEC: 114-151009 WEIGHT:	
MATERIAL: 3		CUSTOMER DRAWING	
		SCALE: 2:1	SHEET 2 OF 2 REV: A1