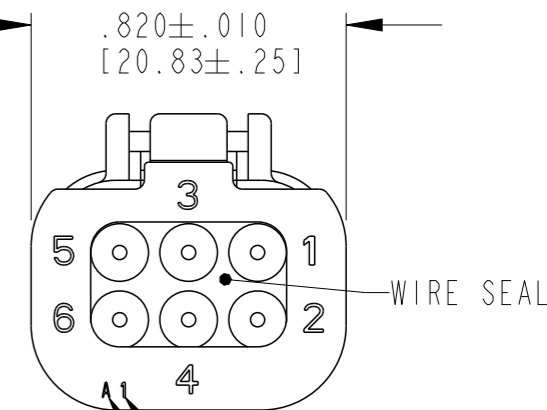
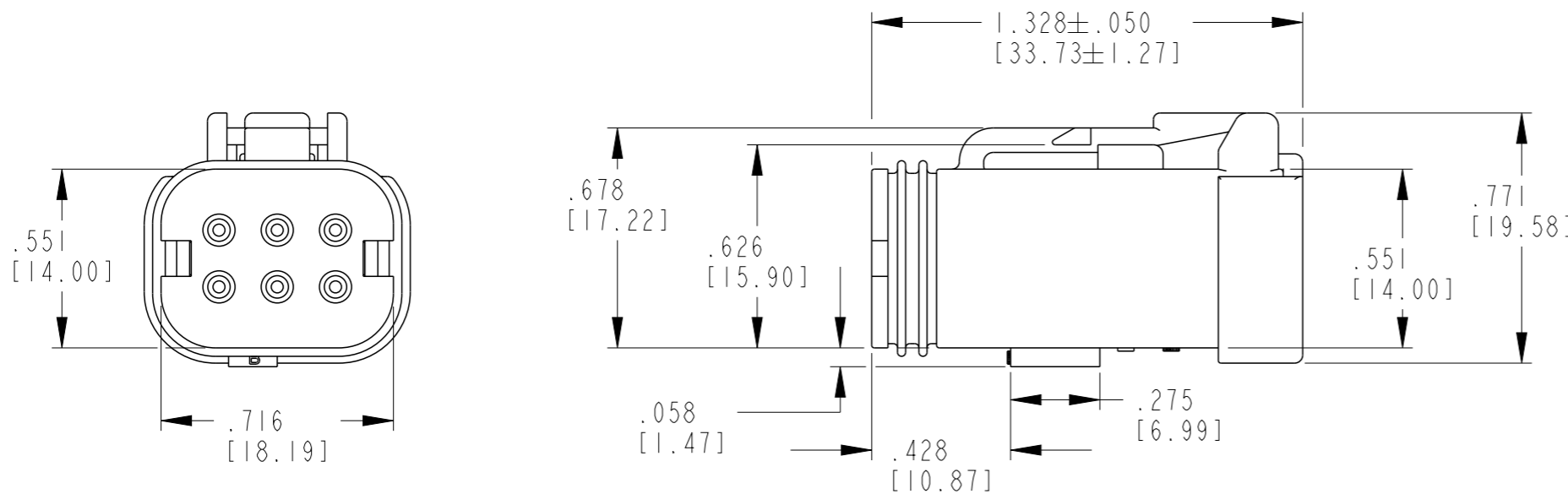


P	LTR	DESCRIPTION	DATE	DWN	APVD
C1		REVISED PER PCN E-18-010710	05JUL2018	SM	DM
C2		REVISED PER PCN E-19-010053	17JUN2019	DD	IG
D		REVISED PER PCN-23-171352	18APR2023	DM	IG
D1		REVISED PER PCN-23-171352	01SEP2023	AJ	IG

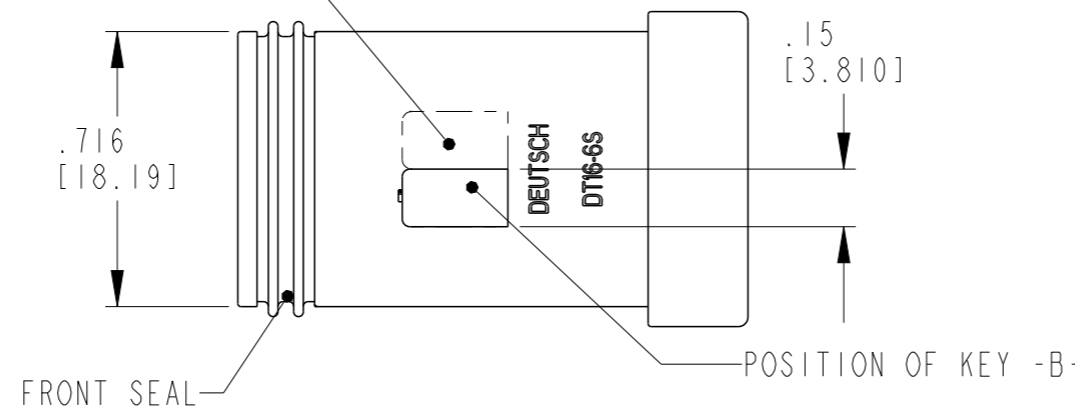


DATE CODE

EXAMPLE: JANUARY
MONTH IS REPRESENTED
BY SEQUENTIAL ALPHA
CHARACTERS

EXAMPLE: 2011
YEAR IS REPRESENTED BY
THE LAST NUMERICAL
DIGIT

POSITION OF KEY -A-



X	KEY	COLOR	TE INTERNAL PN	DEUTSCH PN
-A-		GREY	DT16-6SA-KP01	DT16-6SA-KP01
-B-		BLACK	DT16-6SB-KP01	DT16-6SB-KP01

CONTACT SIZE	MIN. INSUL. O.D.	MAX. INSUL. O.D.	WIRE RANGE [mm ²] REF ONLY
16	$.053$ [1.35]	$.120$ [3.05]	14-20 AWG [2.0-0.5]

4. SEE INTERFACE DRAWING DT14-6PX-K002 FOR MATING RECEPTACLE INFORMATION

3 MATERIAL: PLUG HOUSING: PA 66 GF15
WIRE SEAL: VMQ (ORANGE-RED)
FRONT SEAL: VMQ (TAN)

2. KEY -B- SHOWN FOR REFERENCE PURPOSE ONLY.
ALL INFORMATIONS APPLY TO ALL KEY ARRANGEMENTS.

1 FOR CONTACT SPECIFICATION AND APPLICATION,
SEE ENVELOPE DWG. 0425-015-0000.

THIS DRAWING IS A CONTROLLED DOCUMENT.

DWN T. YOHANNES 17MAY2001
CHK B. BYFORD 26OCT2010
APVD S. BEARD 11OCT2010

DIMENSIONS: INCH [mm] TOLERANCES UNLESS OTHERWISE SPECIFIED:
0 PLC ±-
1 PLC ±-
2 PLC ±-
3 PLC ±.025 [0.63]
4 PLC ±-
ANGLES ±5°

MATERIAL 3 FINISH -

PRODUCT SPEC 108-151009
APPLICATION SPEC 0425-017-0000
WEIGHT 9 g

CUSTOMER DRAWING

NAME 4 WAY PLUG HOUSING WITH 6-CAVITY INTERFACE-KP01 MOD D.T. SERIES

SIZE A3 CAGE CODE 4AFU8 DRAWING NO. DT16-6SX-KP01 RESTRICTED TO -

SCALE 2:1 SHEET 1 OF 1 REV D1

TE Connectivity