

REV	DATE	BY	CHK	APPV
B	21MAR2018	JA	DM	
B1	15MAR2019	DD	DM	
C	24APR2019	NS	RM	
C1	19SEP2023	OD	IG	

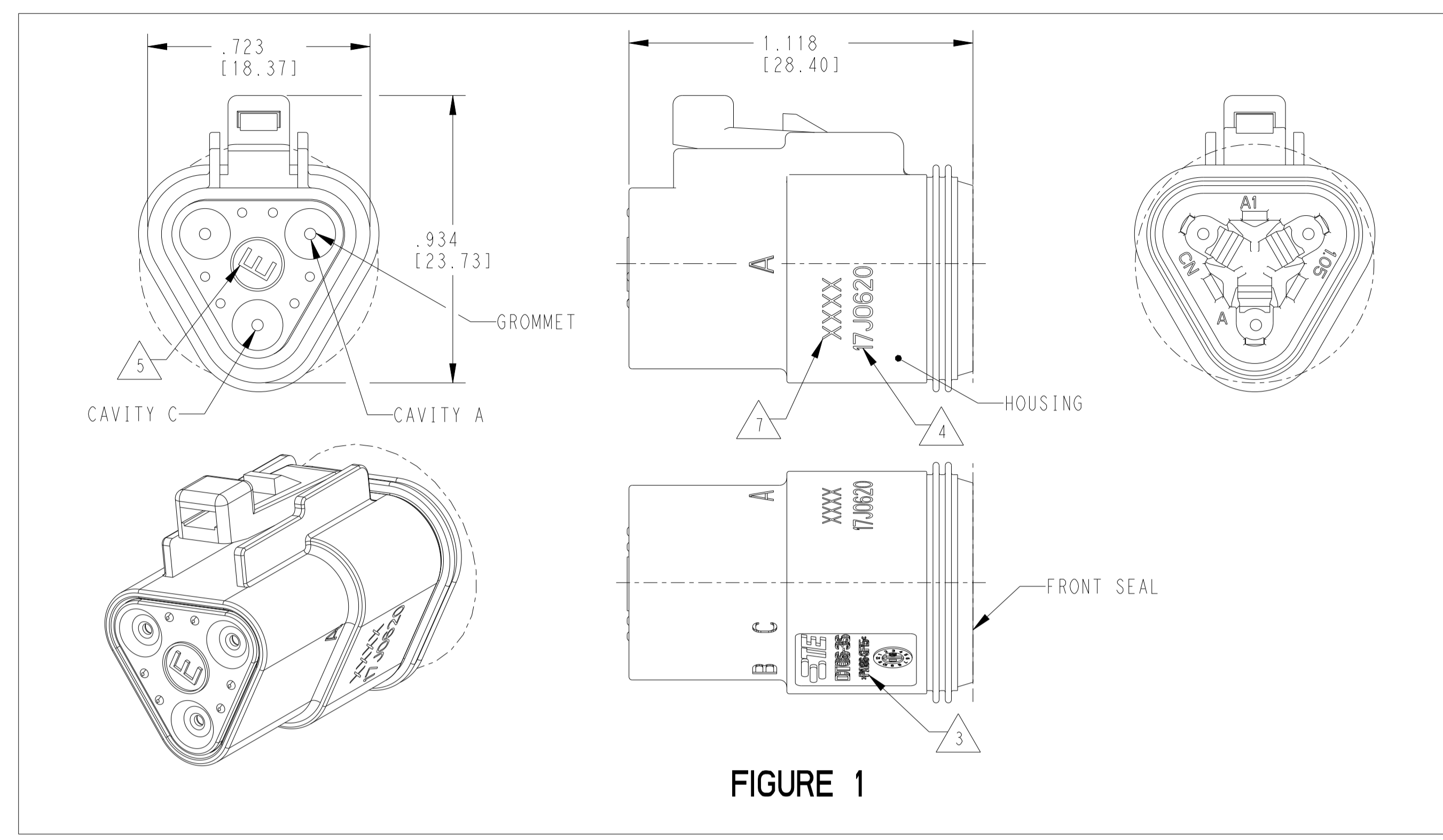


FIGURE 1

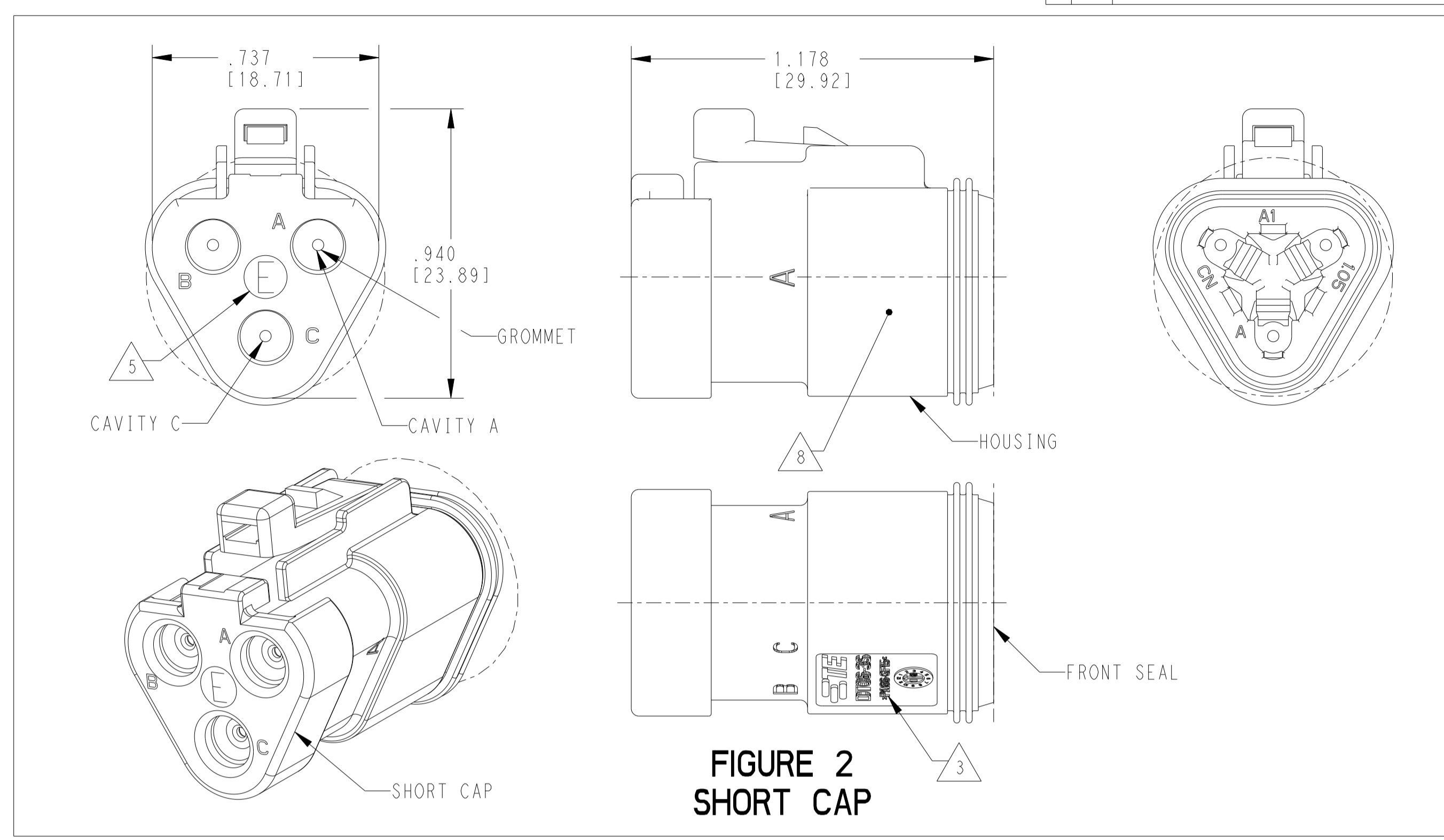


FIGURE 2  
SHORT CAP

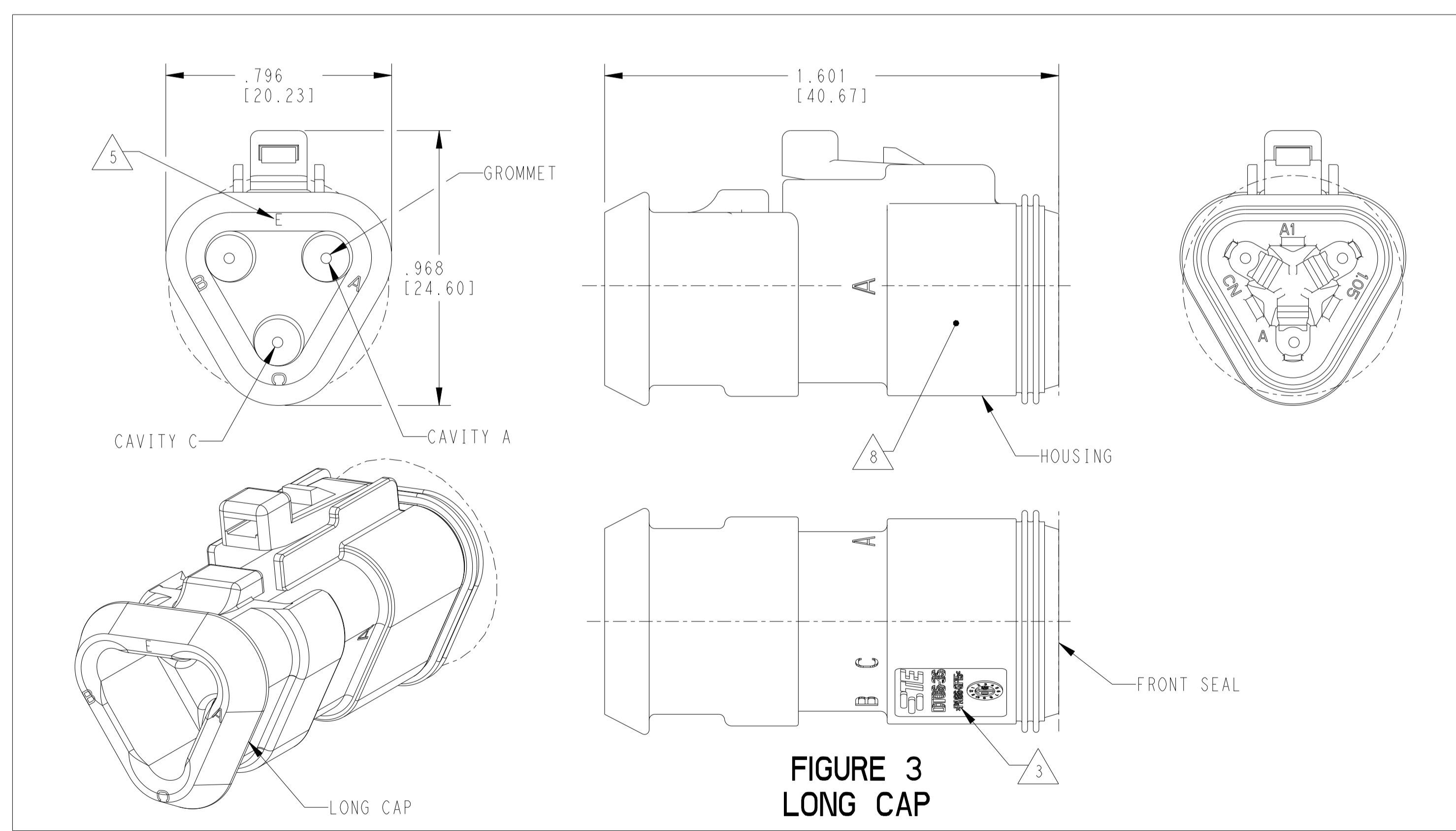


FIGURE 3  
LONG CAP

CONTACT SIZE	WIRE RANGE	INSULATION OD SEALING RANGE	SEAL IDENTIFICATION
16	14-20 AWG [2.5-0.5mm <sup>2</sup> ]	.088-.145 [2.23-3.68]	STANDARD SEAL
		.053-.120 [1.35-3.05]	EXTRA THIN SEAL E-SEAL

TE INTERNAL PART NUMBER	DEUTSCH PART NUMBER	PN REV	COLOR	STANDARD SEAL GROMMET	EXTRA THIN SEAL E-SEAL GROMMET	SHORT CAP	LONG CAP	FIGURE
DT06-3S	DT06-3S	A	GREY	X				1
DT06-3S-C015	DT06-3S-C015	B	GREY		X			1
DT06-3S-CE01	DT06-3S-CE01	B	GREY		X	X		2
DT06-3S-CE02	DT06-3S-CE02	B	BLACK		X			1
DT06-3S-CE04	DT06-3S-CE04	B	GREY		X		X	3
DT06-3S-CE05	DT06-3S-CE05	B	BLACK		X	X		2
DT06-3S-CE06	DT06-3S-CE06	B	BLACK		X			1
DT06-3S-CE13	DT06-3S-CE13	B	BLACK		X		X	3
DT06-3S-E003	DT06-3S-E003	A	GREY	X		X		2
DT06-3S-E004	DT06-3S-E004	A	BLACK	X				1
DT06-3S-E005	DT06-3S-E005	A	BLACK	X		X		2
DT06-3S-E008	DT06-3S-E008	B	GREY	X			X	3
DT06-3S-EP04	DT06-3S-EP04	B	GREY	X		X		2
DT06-3S-EP06	DT06-3S-EP06	B	BLACK	X		X		2
DT06-3S-EP11	DT06-3S-EP11	B	BLACK	X			X	3
DT06-3S-P004	DT06-3S-P004	B	GREY	X				1
DT06-3S-P012	DT06-3S-P012	A	BLACK	X				1
1-2448102-1	DT06-3S-TE09	A	BROWN		X			1
1-2448102-2	DT06-3S-TE03	A	GREEN		X			1
1-2448102-3	DT06-3S-TE07	A	BLUE		X			1
2-2448102-1	DT06-3S-TN09	A	BROWN	X				1
2-2448102-2	DT06-3S-TN03	A	GREEN	X				1
2-2448102-3	DT06-3S-TN07	A	BLUE	X				1

3 MATERIAL: HOUSING: PA66 GF15, SEE TABLE FOR COLOR SHORT, LONG CAP: PA66 GF15, SEE TABLE FOR COLOR GROMMET: E-SEAL VMO (BURNT RED) N-SEAL VMO (RED-ORANGE) FRONT SEAL: VMO (RED-ORANGE)

2. THIS PLUG MATES WITH DT04-3P-XXXX PLUG. (XXXX = ALL MODIFICATIONS)

1. SECONDARY WEDGE LOCK SOLD SEPARATELY: W3S-XXXX. (XXXX = ALL MODIFICATIONS) W3S OR W3S-P012 MAY BE USED WITH THESE PLUGS, W3S-P012 IS RECOMMENDED.

NOTES: UNLESS OTHERWISE SPECIFIED

7 XXXX IDENTIFIES THE MODIFICATION NUMBER, IF APPLICABLE. EXAMPLE: "E003" FOR DT06-3S-E003, OR BLANK FOR DT06-3S.

6. FOR CONTACTS AND WIRE PERFORMANCE AND APPLICATION CHARACTERISTICS SEE CUSTOMER DRAWING 0425-015-0000.

5 "E" IDENTIFIES E-SEAL.

4 DATE CODE: IDENTIFIES THE YEAR, MONTH, DAY AND HOUR OF ASSEMBLY. YEAR: FIRST AND SECOND DIGITS. (17 = 2017) MONTH: THIRD DIGIT, EXCLUDING 1. A = JAN, B = FEB, C = MARCH ... (K = OCTOBER) DAY: FOURTH AND FIFTH DIGITS (14 = 14th DAY) HOUR: SIXTH AND SEVENTH DIGITS (11 = 11AM)

8 ADDITIONAL MARKING PER NOTE 4 AND 7 EXCLUSIVELY FOR PARTS WITH CAPS PRODUCED IN CHINA.

THIS DRAWING IS A CONTROLLED DOCUMENT. DWG: J. APOSTOL 07NOV2016, CHK: R. MESSENGER 07NOV2016, APPV: D. MEYER 07NOV2016

TE Connectivity

3 WAY PLUG, STANDARD SEAL, EXTRA THIN SEAL, SHORT CAP AND LONG CAP, DT SERIES

SIZE: 114-151009, WEIGHT: 114-151009, SCALE: 3:1, SHEET 1 OF 1, REV C1