

REVISIONS				
P	LTN	DESCRIPTION	DATE	OWN APVD
A		NEW RELEASE PER PCN-21-105391	22JUL2021	MK 1G
A1		RELEASE PER PCN E-21-003453	23MAR2022	PLM 1G
A2		REVISED PER PCN-23-187402	19SEP2023	OD 1G

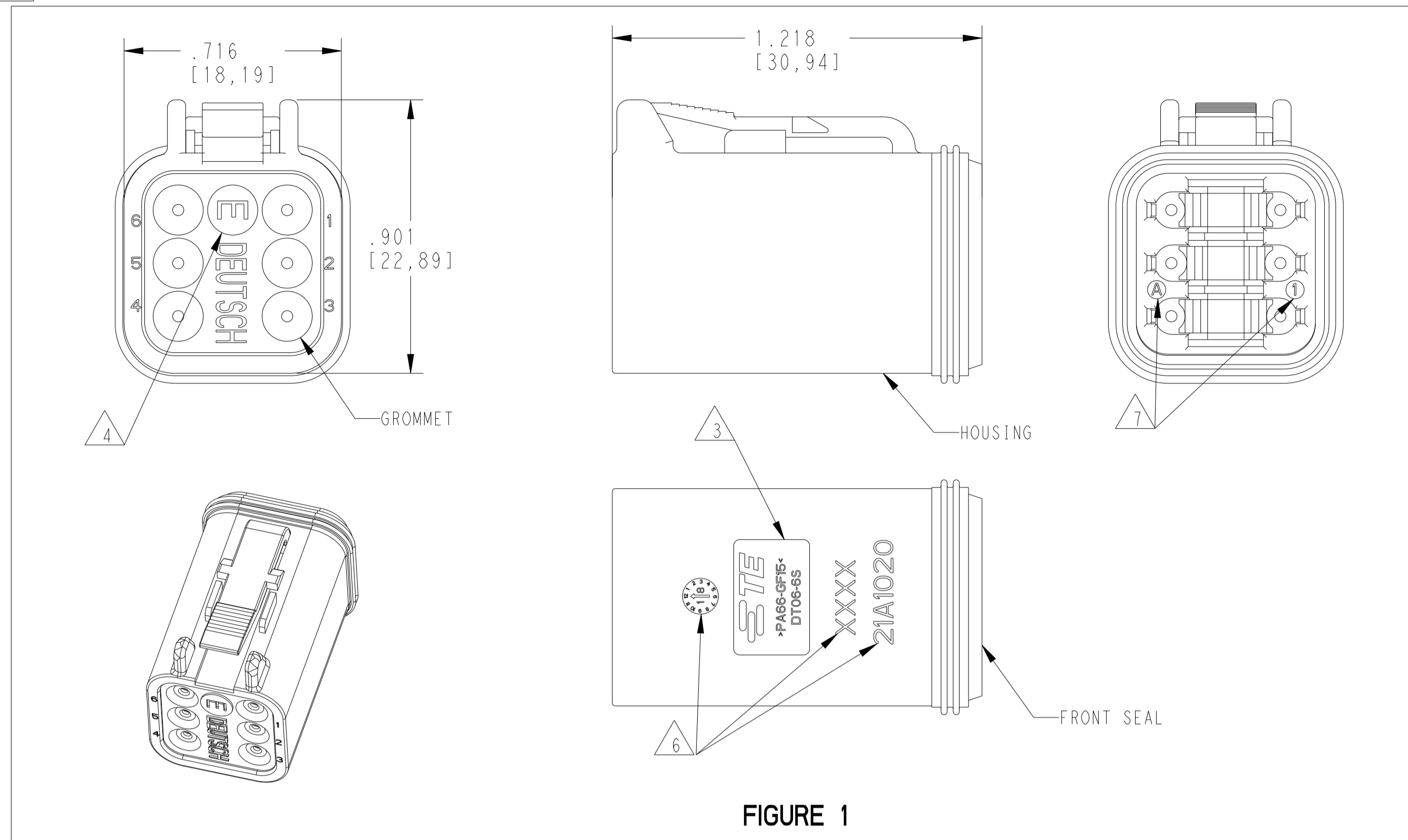


FIGURE 1

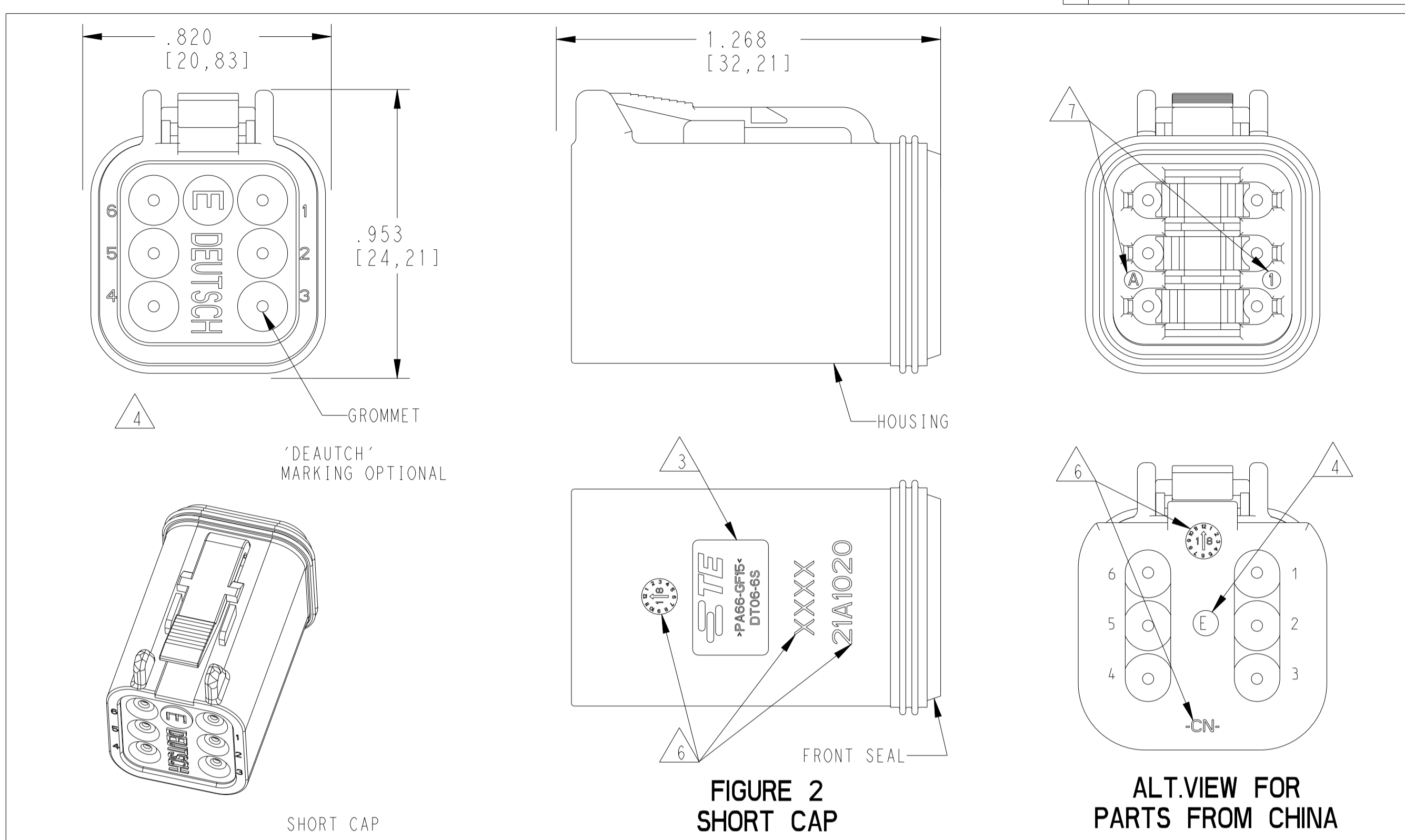


FIGURE 2 SHORT CAP

ALT.VIEW FOR PARTS FROM CHINA

CONTACT SIZE	WIRE RANGE	INSULATION OD SEALING RANGE	SEAL IDENTIFICATION
16	14-20 AWG [2.5-0.5 mm]	.088-.145 [2.23-3.68]	STANDARD SEAL
		.053-.120 [1.35-3.05]	EXTRA THIN SEAL E-SEAL

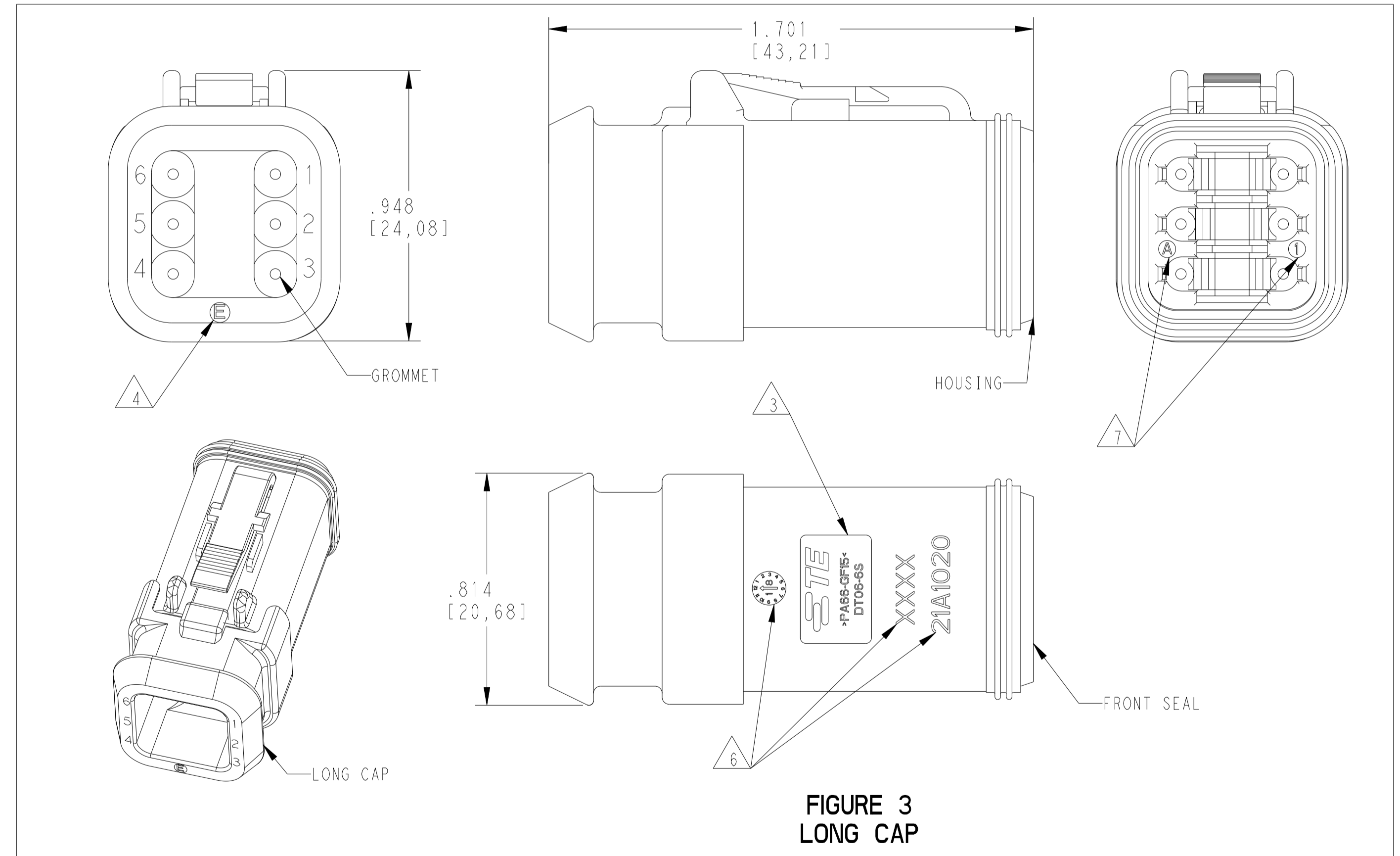


FIGURE 3 LONG CAP

TE INTERNA PART NUMBER	DEUTSCH PART NUMBER	PN REV	COLOR	STANDARD SEAL	EXTRA THIN SEAL E-SEAL	BLOCKED SEAL	SHORT CAP	LONG CAP	FIGURE
DT06-6S	DT06-6S	A	GRAY	X					1
DT06-6S-C015	DT06-6S-C015	B	GRAY		X	2			1
DT06-6S-C017	DT06-6S-C017	A	GRAY			X	X		2
DT06-6S-CE01	DT06-6S-CE01	B	GRAY		X		X		2
DT06-6S-CE02	DT06-6S-CE02	B	BLACK		X				1
DT06-6S-CE03	DT06-6S-CE03	B	BLACK		X		X		2
DT06-6S-CE04	DT06-6S-CE04	A	GRAY		X			X	3
DT06-6S-CE05	DT06-6S-CE05	C	BLACK		X		X		2
DT06-6S-CE06	DT06-6S-CE06	B	BLACK		X				1
DT06-6S-CE11	DT06-6S-CE11	A	BLACK		X		X		2
DT06-6S-CE13	DT06-6S-CE13	B	BLACK		X			X	3
DT06-6S-E003	DT06-6S-E003	A	GRAY	X			X		2
DT06-6S-E004	DT06-6S-E004	A	BLACK	X					1
DT06-6S-E005	DT06-6S-E005	A	BLACK	X			X		2
DT06-6S-E008	DT06-6S-E008	A	GRAY	X				X	3
DT06-6S-EP04	DT06-6S-EP04	B	GRAY	X			X		2
DT06-6S-EP06	DT06-6S-EP06	B	BLACK	X			X		2
DT06-6S-EP11	DT06-6S-EP11	B	BLACK	X				X	3
DT06-6S-P004	DT06-6S-P004	B	GRAY	X					1
DT06-6S-P012	DT06-6S-P012	A	BLACK	X					1
1-2448106-1	DT06-6S-TE09	A	BROWN		X				1
1-2448106-2	DT06-6S-TE03	A	GREEN		X				1
1-2448106-3	DT06-6S-TE07	A	BLUE		X				1
2-2448106-1	DT06-6S-TN09	A	BROWN	X					1
2-2448106-2	DT06-6S-TN03	A	GREEN	X					1
2-2448106-3	DT06-6S-TN07	A	BLUE	X					1

- 4 "E" IDENTIFIES E-SEAL, LOCATED APPROX. AS SHOWN.
  - 3 MATERIAL: HOUSING: PA66 GF15, SEE TABLE FOR COLOR  
SHORT, LONG CAP: PA66 GF15, SEE TABLE FOR COLOR  
GROMMET: E-SEAL VMO (BURNT RED)  
N-SEAL VMO (RED-ORANGE)  
BLOCKED VMO (RED-ORANGE)  
FRONT SEAL: VMO (RED-ORANGE),
  - 2. THIS PLUG MATES WITH DT06-6P-XXXX RECEPTACLE. (XXXX = ALL MODIFICATION)
  - 1. SECONDARY WEDGE LOCK SOLD SEPARATELY: W6SX-XXXX. (X = A,B,C,D KEY, XXXX = ALL MODIFICATIONS)  
W6S OR W6S-P012 MAY BE USED WITH THESE PLUGS, W6S-P012 IS RECOMMENDED.
- NOTE: UNLESS OTHERWISE SPECIFIED

- 6 MARKING FOR PARTS PRODUCED IN CHINA:  
-XXXX IDENTIFIES THE MODIFICATION NUMBER, IF APPLICABLE. EXAMPLE: "E003 FOR DT06-6S-E003, OR BLANK FOR DT06-6S  
-DATE CODE: IDENTIFIES THE YEAR, MONTH, DAY AND HOUR OF ASSEMBLY.  
YEAR: FIRST AND SECOND DIGITS. (17 = 2017)  
MONTH: THIRD DIGIT, EXCLUDING J. A = JAN, B = FEB, C = MARCH... (K = OCTOBER)  
DAY: FOURTH AND FIFTH DIGITS (14 = 14th DAY)  
HOUR: SIXTH AND SEVENTH DIGITS (11 = 11AM)
- DIAL DATE CODE LOCATED ON HOUSING AND/OR CAP.  
-CN LOCATED ON HOUSING AND/OR CAP.
- 5. FOR CONTACTS AND WIRE PERFORMANCE AND APPLICATION CHARACTERISTICS SEE CUSTOMER DRAWING 0425-015-0000.

- 7 MARKING FOR PARTS PRODUCED IN US:  
-DATE CODE:  
YEAR TO BE LAST NUMERICAL DIGIT, EX: 1=2021  
MONTH USES SEQUENTIAL ALPHA CHARACTERS, EX: A=JANUARY

THIS DRAWING IS A CONTROLLED DOCUMENT.

OWN: R. MUKESH 21JUL2021  
CHK: R. MESSENGER 21JUL2021  
APVD: J. GRANTCHAROVA 25JUL2021

PRODUCT SPEC: 108-151009  
APPLICATION SPEC: 114-151009

SIZE: A1  
CAGE CODE: 4AFU8  
DRAWING NO: C=DT06-6S-XXXX  
RESTRICTED TO: -

CUSTOMER DRAWING  
SCALE: 3:1  
SHEET: 1 OF 2  
REV: A2

REVISIONS				
P	LTN	DESCRIPTION	DATE	APVD
-		SEE SHEET 1	-	-

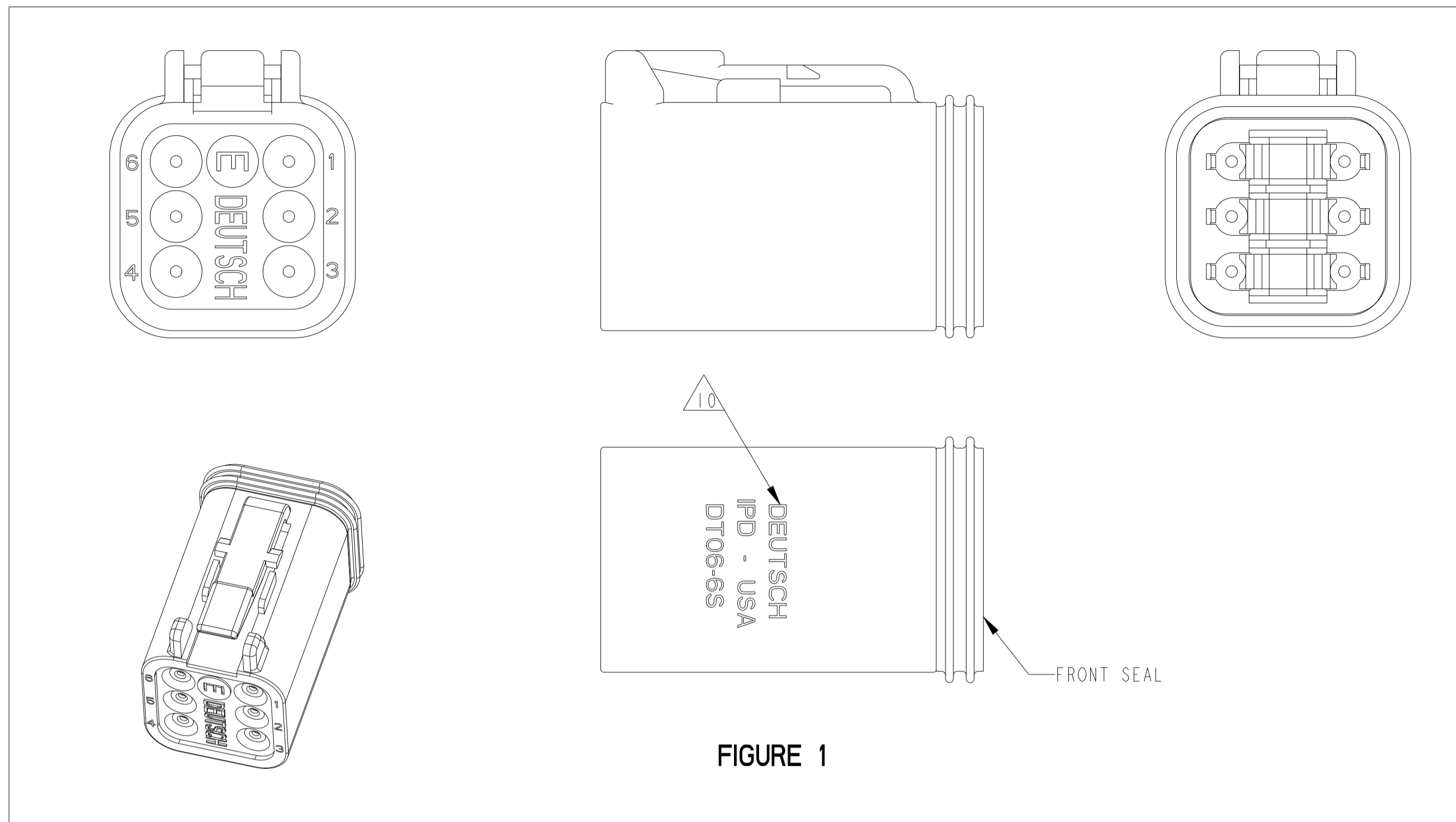


FIGURE 1

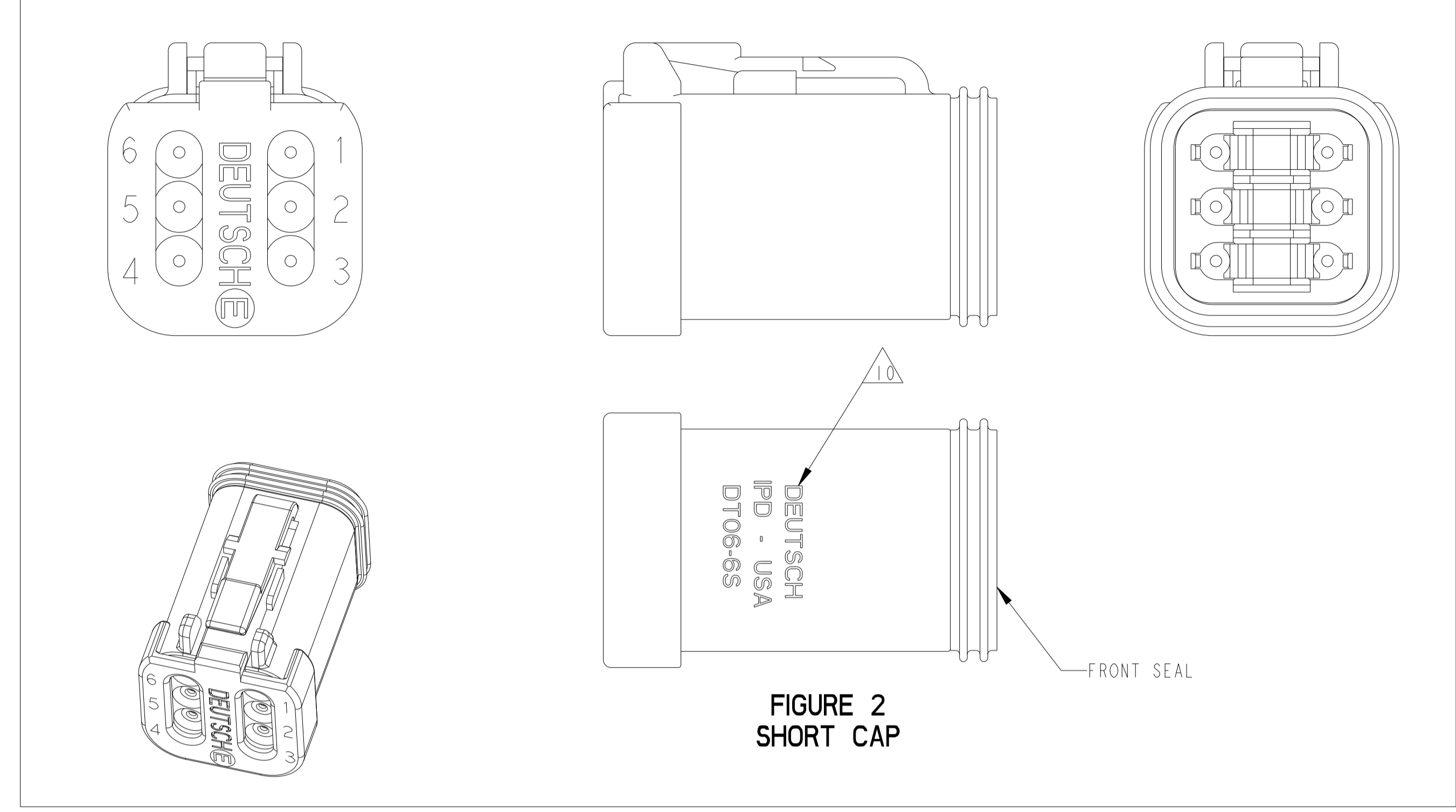


FIGURE 2  
SHORT CAP

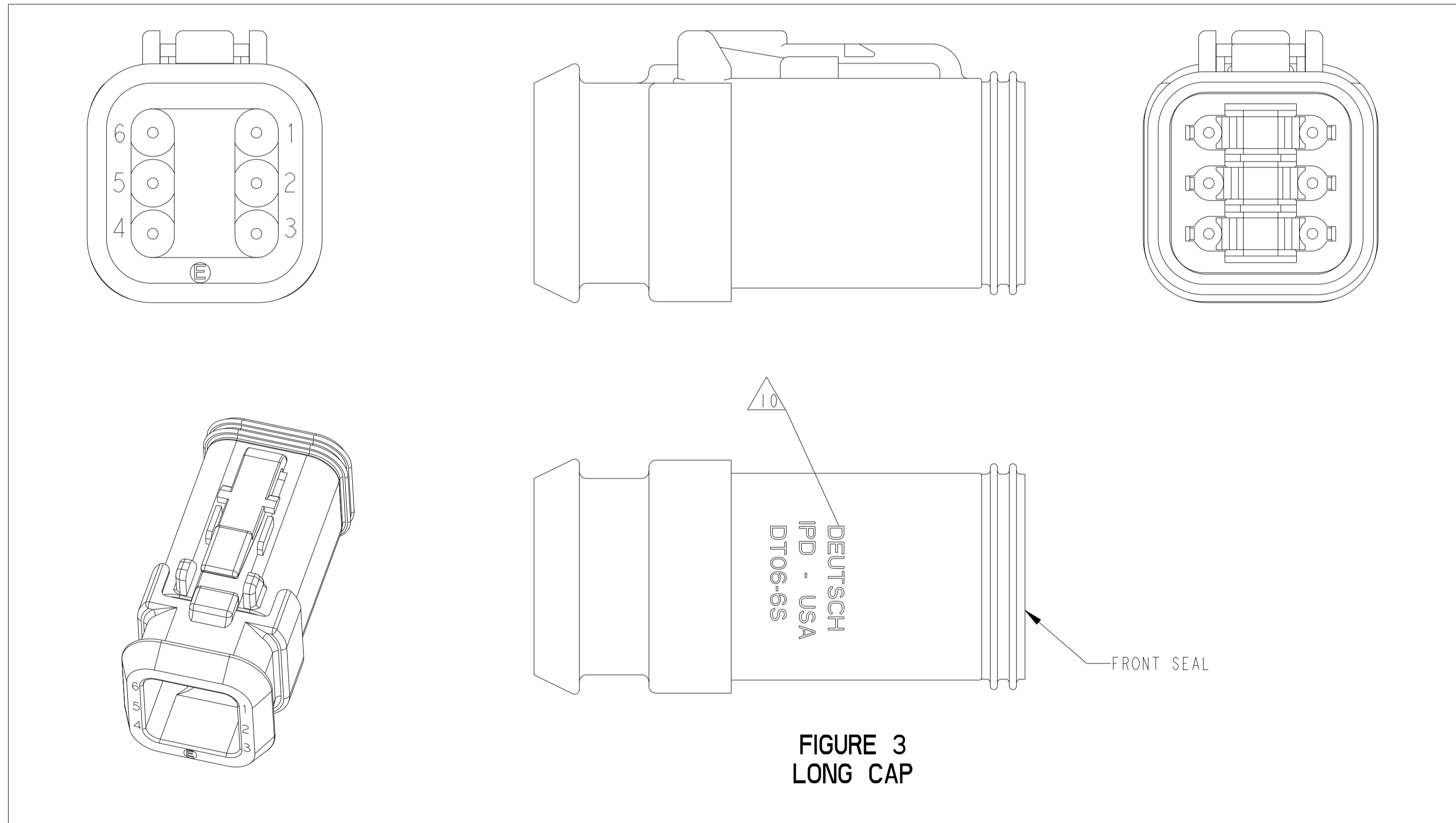


FIGURE 3  
LONG CAP

AFFECTED PART NUMBERS	PN REV	COLOR	STANDARD SEAL GROMMET	EXTRA THIN SEAL E-SEAL GROMMET	BLOCKED SEAL	SHORT CAP	LONG CAP	FIGURE
DT06-6S	-	GRAY	X					1
DT06-6S-C015	A	GRAY		X				1
DT06-6S-C017	-	GRAY			X	X		2
DT06-6S-CE01	A	GRAY		X		X		2
DT06-6S-CE02	A	BLACK		X				1
DT06-6S-CE03	A	BLACK		X		X		2
DT06-6S-CE04	-	GRAY		X			X	3
DT06-6S-E003	-	GRAY	X			X		2
DT06-6S-E004	-	BLACK	X					1
DT06-6S-E005	-	BLACK	X			X		2
DT06-6S-E008	-	GRAY	X				X	3
DT06-6S-EP04	A	GRAY	X			X		2
DT06-6S-P004	A	GRAY	X					1

10 PARTS IN THE STANDARD TYPE CONFIGURATION WILL HAVE 'DEUTSCH' ID TEXT ON THE HOUSING.

9. SECONDARY WEDGE LOCK SOLD SEPARATELY: W6S OR W6SX (X = A,B,C,D KEY). W6S OR W6SX MUST BE USE WITH THE STANDARD TYPE PLUGS.

8 THE AFFECTED PARTS NUMBERS LISTED ARE CHANGING FROM STANDARD TYPE SEAL (SHEET 2) TO RETENTION TYPE SEAL (SHEET 1). PARTS WILL BE SUPPLIED FROM THE NORTH AMERICA REGION IN THE STANDARD TYPE CONFIGURATION UNTIL THE STANDARD TYPE TOOLING REACHES ITS END OF LIFE. PARTS PRODUCED IN CHINA WILL BE RETENTION TYPE ONLY.

THIS DRAWING IS A CONTROLLED DOCUMENT.

DIMENSIONS: IN (mm)	TOLERANCES UNLESS OTHERWISE SPECIFIED:	0 PLC ±	1 PLC ±	2 PLC ±	3 PLC ±0.25 (0.64)	4 PLC ±	ANGLES 40° 30' 0"	FINISH
MATERIAL								

OWN: R. MUKESH 21 JUL 2021  
 CHK: R. MESSENGER 21 JUL 2021  
 APVD: J. GRANICHAROVA 25 JUL 2021

NAME: 6 WAY PLUG, STANDARD SEAL EXTRA THIN SEAL, SHORT AND LONG CAP DT SERIES

SIZE: A | CAGE CODE: 4AFU8 | DRAWING NO: DT06-6S-XXXX | RESTRICTED TO: -

CUSTOMER DRAWING | SCALE: 3:1 | SHEET: 2 OF 2 | REV: A2