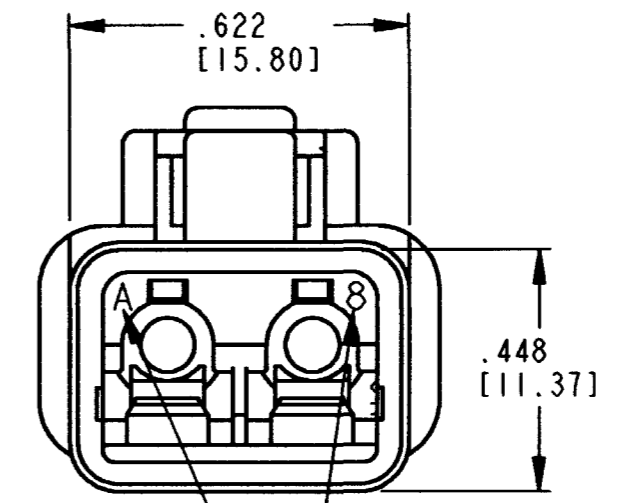
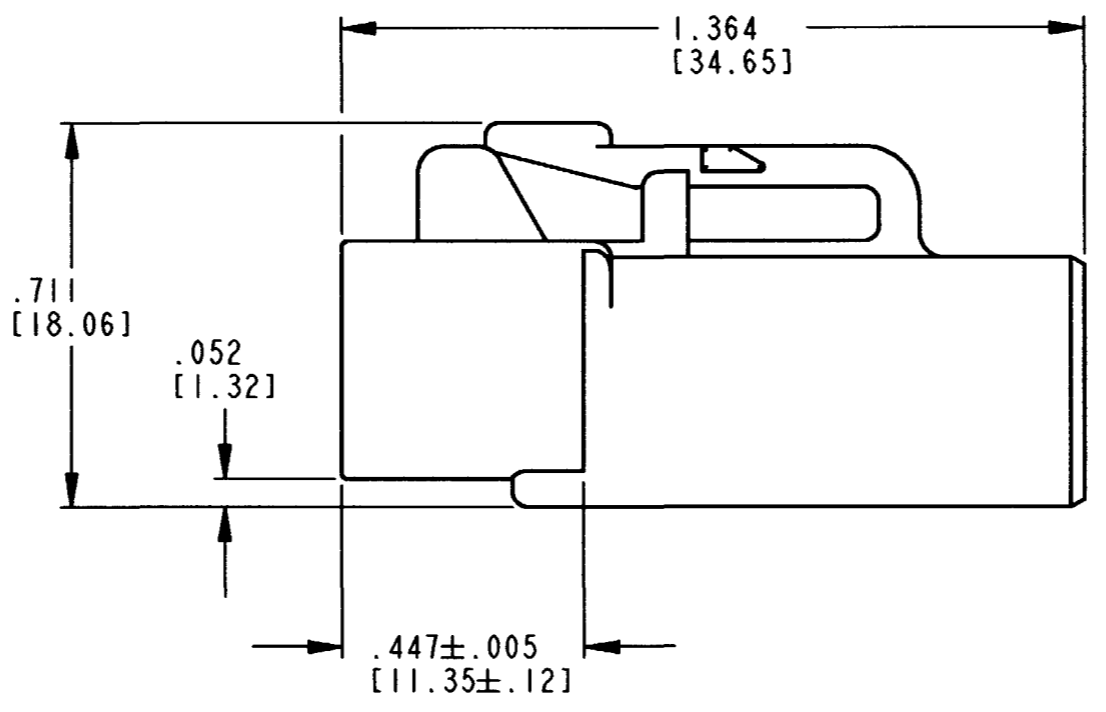
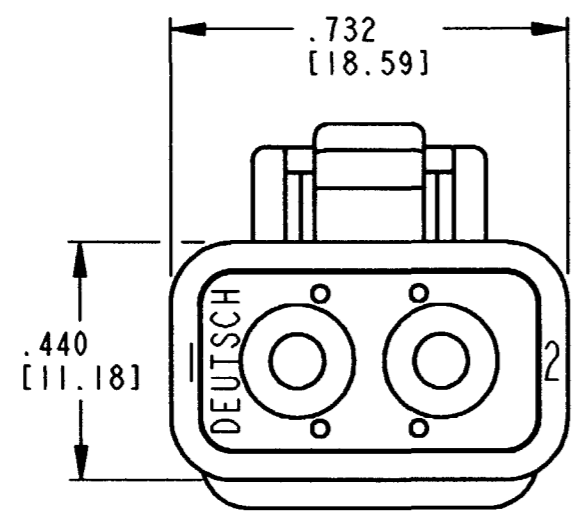


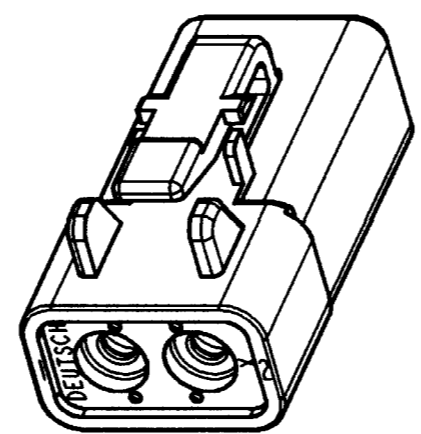
REV C **DTP06-2S**

| REVISIONS | | | |
|-----------|-----------------------------|----------|----------|
| SYM | DESCRIPTION | DATE | APPROVED |
| NC | NEW RELEASE PER E.O. P15586 | 03/31/98 | R.D.R. |
| A | REVISED PER E.O. P16264 | 08/30/99 | R.D.R. |
| B | REVISED PER E.O. P17085 | 1-12-01 | R.D.R. |
| C | REVISED PER E.O. P18823 | 2-11-05 | ADR |



DATE CODE: MONTH IS REPRESENTED BY SEQUENTIAL ALPHA CHARACTERS. EX: A=JANUARY; YEAR IS REPRESENTED BY LAST NUMERICAL DIGIT. EX: 8=2008

- 6. MATERIAL: HOUSING: PLASTIC; GROMMET: RUBBER
 - 5. THIS PLUG MATES WITH DTP04-2P-**** RECEPTACLE. (**** = ALL MODIFICATIONS)
 - 4. FOR CONTACT AND WIRE PERFORMANCE AND APPLICATION CHARACTERISTICS SEE ENVELOPE DRAWING 0425-015-0000.
 - 3. SECONDARY WEDGE LOCK SOLD SEPARATELY, WP-2S.
 - 2. DIMENSION TOLERANCE: ±.025 [1.64].
 - 1. DIMENSIONS ARE IN INCHES [mm].
- NOTES: UNLESS OTHERWISE SPECIFIED



3D VIEW

| CONTACT SIZE | MIN. INSUL. O.D. | MAX INSUL. O.D. | WIRE RANGE [mm ²] REF ONLY |
|--------------|------------------|-----------------|--|
| 12 | .134 [3.40] | .195 [4.95] | 10-14 AWG [5.0-2.0] |

| | | | | | |
|------------------|------------------------|--|---|-----------|------------|
| SIGNATURE & DATE | | PLUG 2 CONTACTS, SIZE 12 COLOR: GREY DTP SERIES | CP | MATL CODE | |
| DR | V. TOMSA MAR-17-98. | | The Deutsch Company DEUTSCH I.P.D. 3850 INDUSTRIAL AVE. HEMET, CALIF. 92545 | | |
| CHK | X. Sanchez 2/4/05 | ENVELOPE | B DTP06-2S | | |
| PE | Madonna Tomax FEB-1-05 | | DWG SIZE | CODE | SHEET OF |
| APPD | Dmax 2/4/05 | | 1139 | | |
| SCALE | NONE | | | | |