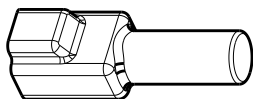
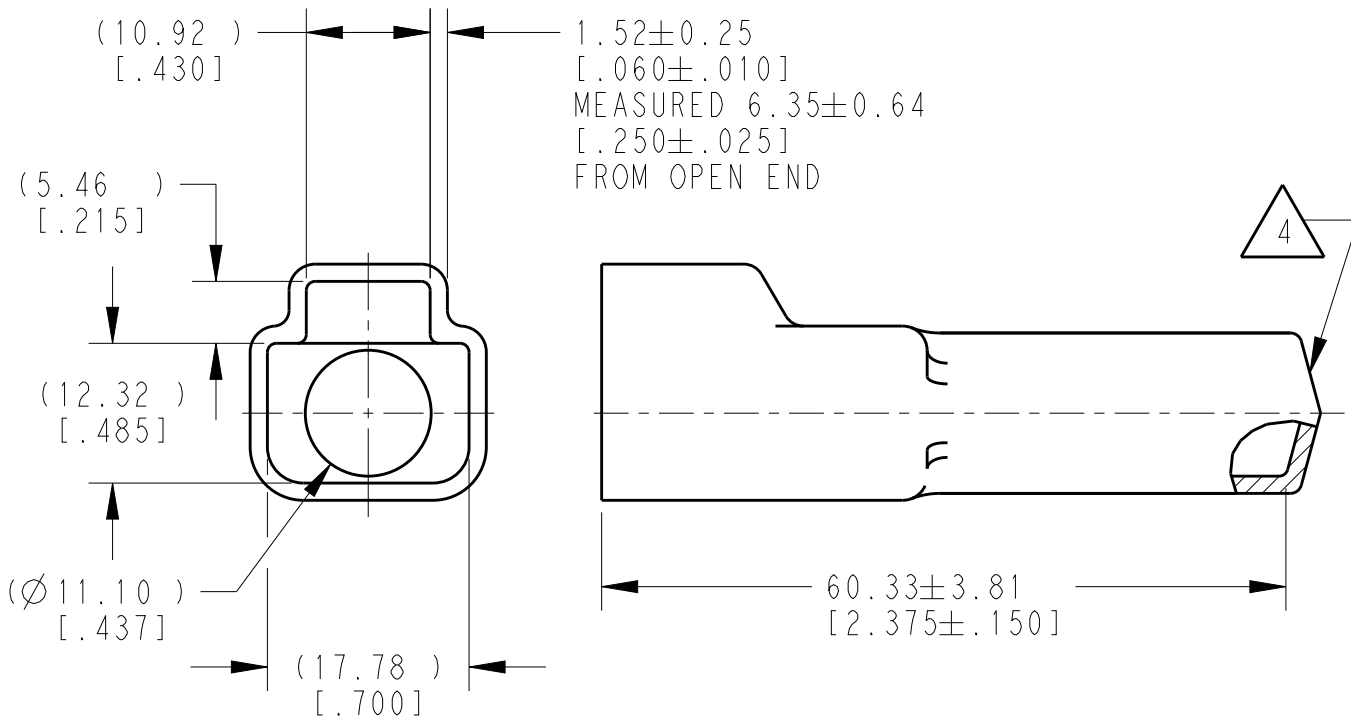


REVISIONS

P	LTR	DESCRIPTION	DATE	DWN	APVD
	A	NEW RELEASE PER ECO-14-008761	10JUN2014	DM	DM
	A1	REVISED PER PCN E-19-014642	16OCT2019	JA	IG



SCALE 1:2



- 4 SMALL MATERIAL EXTENSION IS ACCEPTABLE ON THIS END ALL AROUND.
3. THIS ACCESSORY PART IS PROVIDED WITHOUT TYPICAL TRANSPORTATION INDUSTRY PROCESS CONTROLS. NO VALIDATION TESTING HAS BEEN PERFORMED. CUSTOMER IS RESPONSIBLE FOR DETERMINING PRODUCT PERFORMANCE AND SUITABILITY FOR APPLICATION.
2. TEMPERATURE RATING: -29°C TO +100°C [-20°F TO +212°F].
1. THIS PART IS USED ON DT06-4S PLUG WITH ANY MODIFICATION THAT DOES NOT INCLUDE AN END CAP.

NOTES:

TE INTERNAL PN	DEUTSCH PN
DT4S-BT	DT4S-BT

2019 RELEASED FOR PUBLICATION ALL RIGHTS RESERVED. BY TE CONNECTIVITY

DIMENSIONS:
MM [INCH]

TOLERANCES UNLESS OTHERWISE SPECIFIED:

0 PLC	±
1 PLC	±
2 PLC	±0.63 [.025]
3 PLC	±
4 PLC	±
ANGLES	±5°

DWN	10JUN2014
D. MEYER	
CHK	10JUN2014
R. MESSENGER	
APVD	10JUN2014
D. MEYER	
PRODUCT SPEC	
APPLICATION SPEC	
WEIGHT	5.22g

MATERIAL PVC FINISH GRAY

TE Connectivity

NAME BOOT, PLUG, 4 PIN DT SERIES

SIZE	CAGE CODE	DRAWING NO	RESTRICTED TO
A 4	4AFU8	©-DT4S-BT	-

CUSTOMER DRAWING

SCALE	SHEET	OF	REV
3:2	1	1	A1