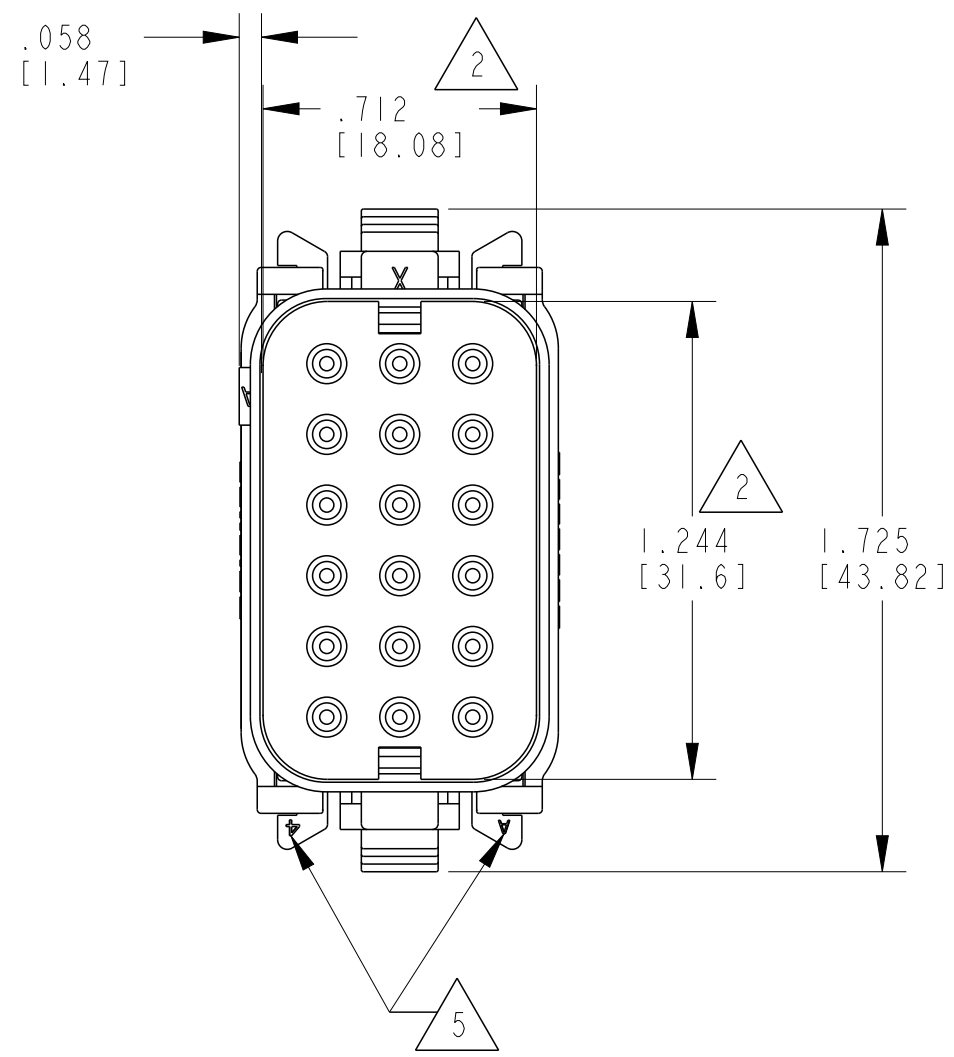
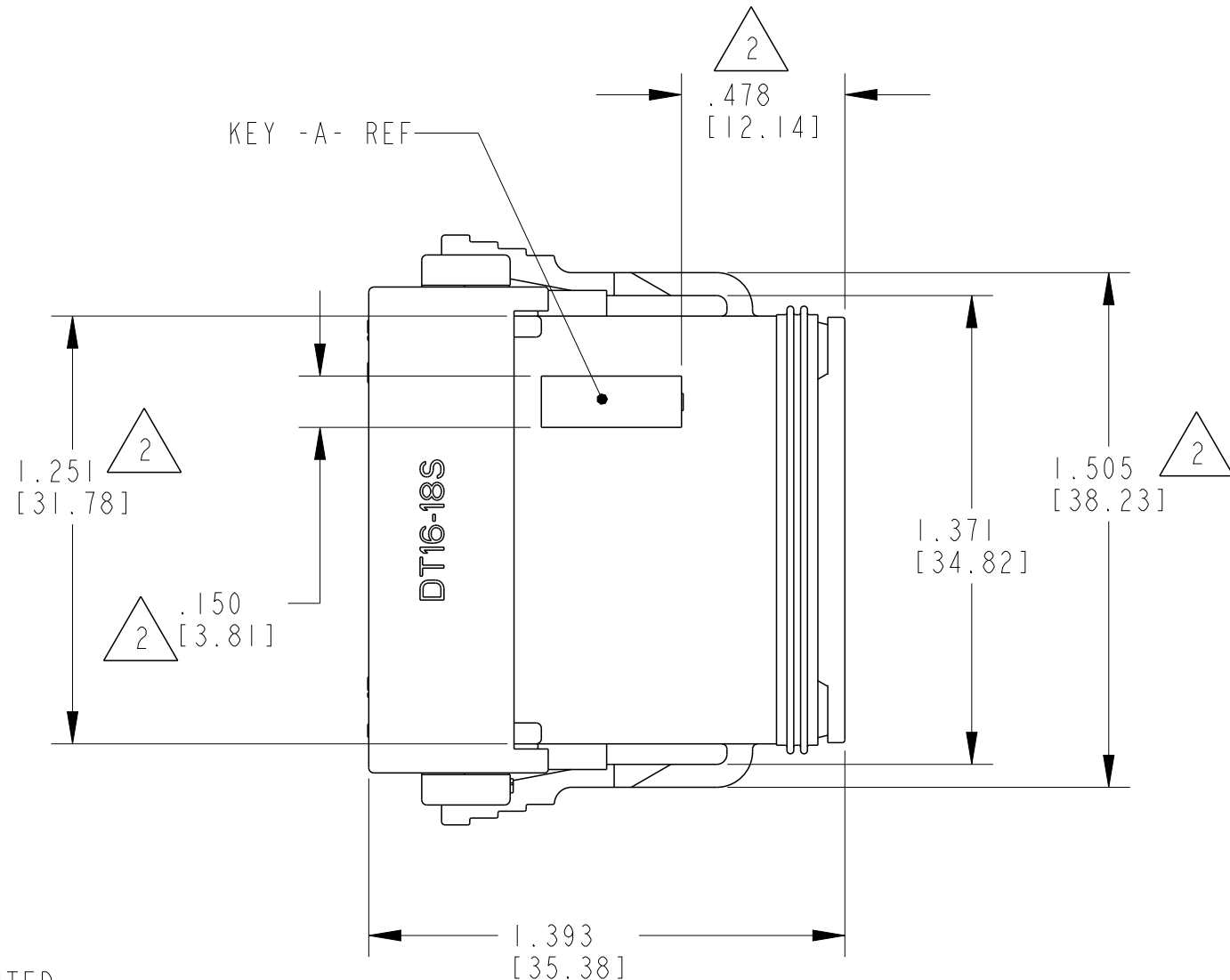
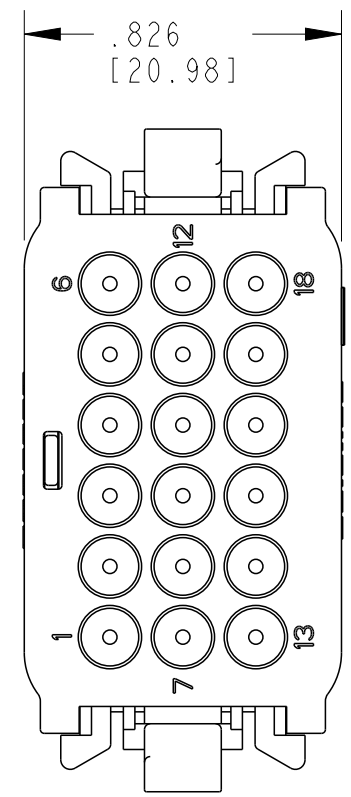


THIS DRAWING IS UNPUBLISHED  
 RELEASED FOR PUBLICATION  
 2015  
 © COPYRIGHT 2015 BY - TE CONNECTIVITY ALL RIGHTS RESERVED.

LOC	DIST	REVISIONS			
P	LTR	DESCRIPTION	DATE	DWN	APVD
-	-	E1	REVISED PER ECO-15-011146	30JUL2015	MGM DM



5 DATE CODE: MONTH IS REPRESENTED BY SEQUENTIAL ALPHA CHARACTERS EX: A = JANUARY YEAR IS REPRESENTED BY LAST NUMERICAL DIGIT EX: 4 = 2004

4. SEE INTERFACE DRAWING, DT14-18PX-K004 FOR MATING RECEPTACLE INFORMATION

3. THE FOLLOWING SEALING PLUGS MAY BE USED
- 114017 SEALING PLUG
  - 776363-1 SEALING PLUG
  - 776364-1 SEALING PLUG
  - 0413-215-1605 SEALING KEYING PIN
  - 0413-217-1605 SEALING LOCKING PLUG
  - 0413-204-2005 SEALING PLUG

2. DIMENSIONS HELD BY DESIGN CONTROLS.

1. MATERIAL: SHELL: PLASTIC; COLOR: BLACK  
 SEAL: RUBBER

CONTACT SIZE	MIN. INSUL. O.D.	MAX. INSUL. O.D.	WIRE RANGE [mm <sup>2</sup> ]
16	.053 [1.35]	.120 [3.05]	14-20 AWG [2.0-0.5]

THIS DRAWING IS A CONTROLLED DOCUMENT.		DWN X. SANCHEZ 22NOV2002	<b>STE</b> TE Connectivity	
DIMENSIONS: INCHES [mm]		CHK DAVID MEYER 15MAY2006		
TOLERANCES UNLESS OTHERWISE SPECIFIED:		APVD DAVID MEYER 15MAY2006	NAME 18 WAY PLUG	
0 PLC ±	1 PLC ±	PRODUCT SPEC 108-151009	18 SIZE #16 CONTACTS	
2 PLC ±	3 PLC ±.025 [0.64]	APPLICATION SPEC 0425-017-0000	-K004 MOD. D.T. SERIES	
4 PLC ±	ANGLES ±	WEIGHT -	SIZE A3	CAGE CODE 4AFU8
FINISH -		CUSTOMER DRAWING	DRAWING NO. DT16-18SX-K004	RESTRICTED TO -
		SCALE 2:1	SHEET 1 OF 2	REV E1

LOC	DIST	REVISIONS					
		P	LTR	DESCRIPTION	DATE	DWN	APVD
-	-	-	-	SEE SHEET 1	-	-	-

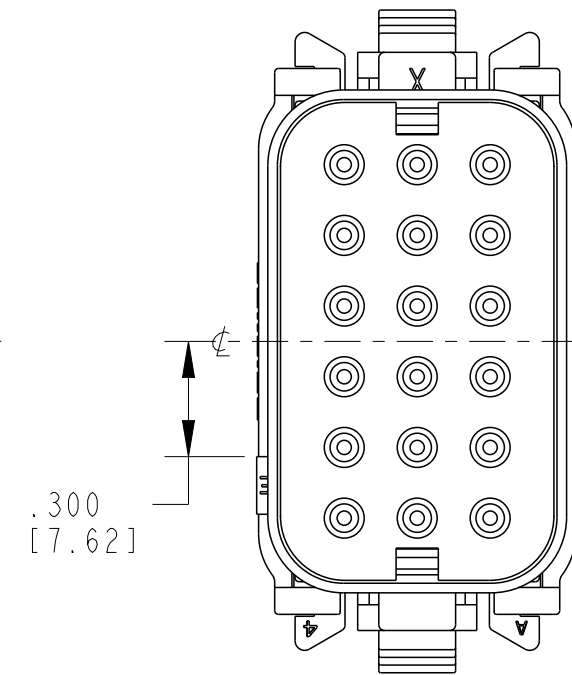
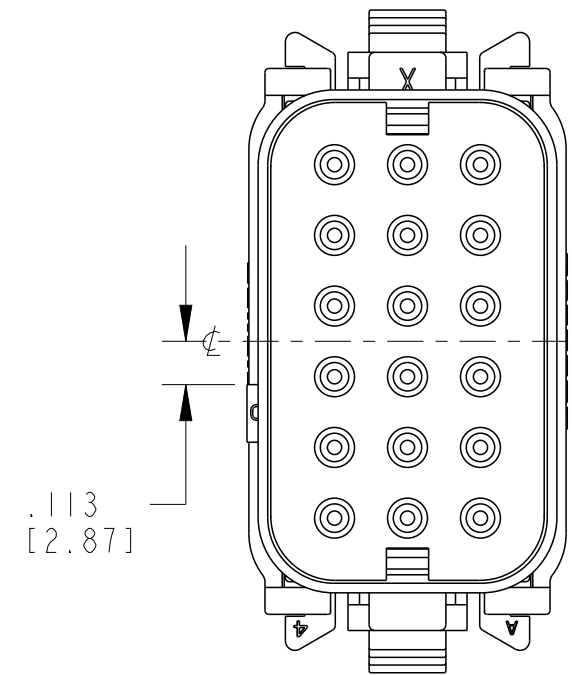
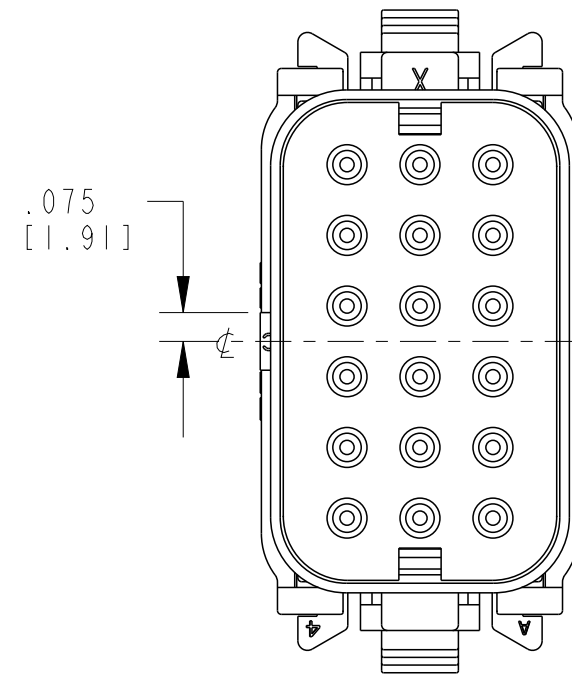
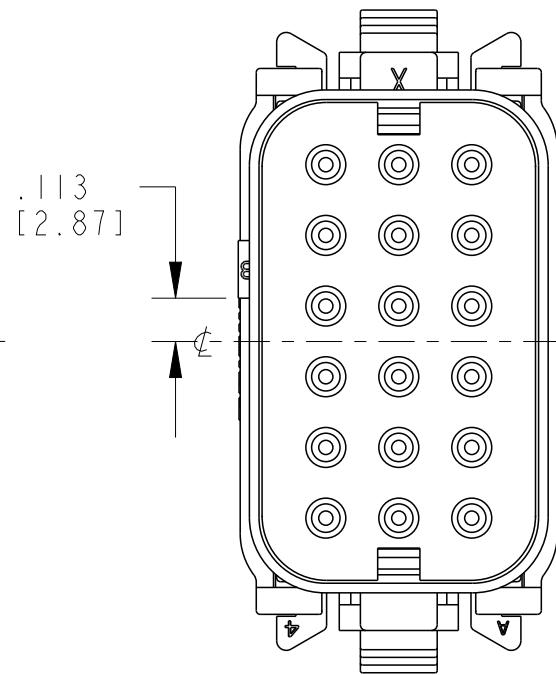
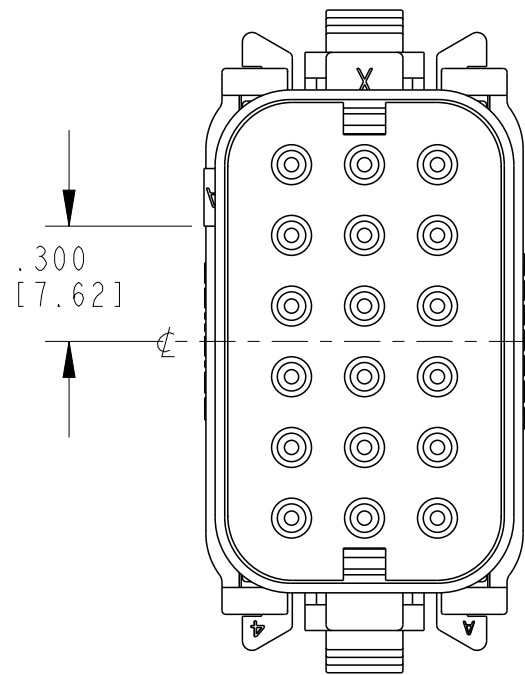
KEY ARR. -A-

KEY ARR. -B-

KEY ARR. -C-

KEY ARR. -D-

KEY ARR. -E-



THIS DRAWING IS A CONTROLLED DOCUMENT.		DWN X. SANCHEZ 22NOV2002			
DIMENSIONS: INCHES [mm]		CHK DAVID MEYER 15MAY2006			
TOLERANCES UNLESS OTHERWISE SPECIFIED:		APVD DAVID MEYER 15MAY2006	NAME 18 WAY PLUG 18 SIZE #16 CONTACTS -K004 MOD. D.T. SERIES		
<ul style="list-style-type: none"> <li>0 PLC ±</li> <li>1 PLC ±</li> <li>2 PLC ±</li> <li>3 PLC ±.025 [0.64]</li> <li>4 PLC ±</li> <li>ANGLES ±</li> <li>FINISH -</li> </ul>		PRODUCT SPEC 108-151009	SIZE A3		
MATERIAL -		APPLICATION SPEC 0425-017-0000	CAGE CODE 4AFU8	DRAWING NO G-DT16-18SX-K004	RESTRICTED TO -
		WEIGHT -	SCALE 2:1		SHEET 2 OF 2
		CUSTOMER DRAWING	REV E1		