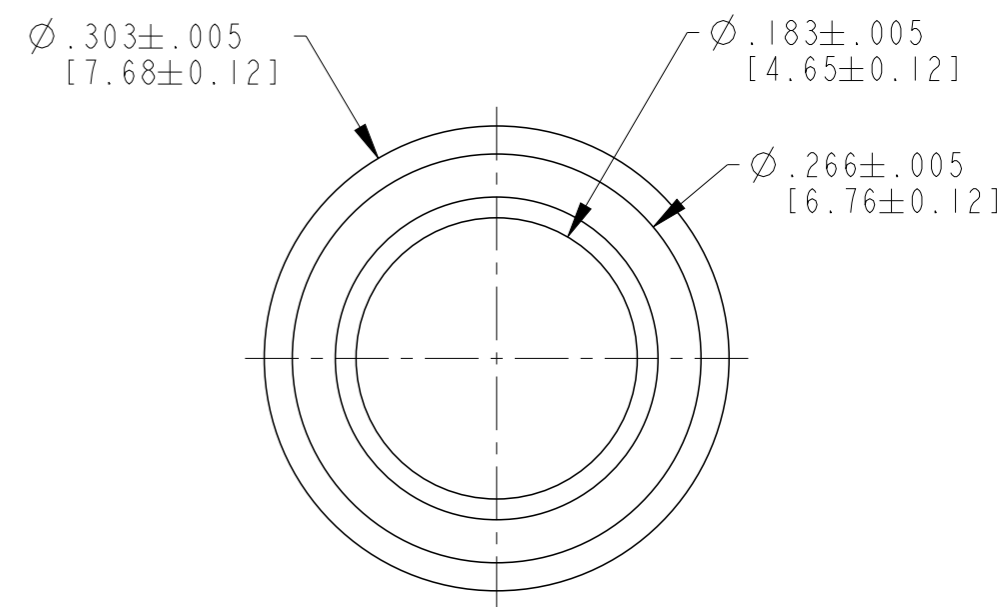
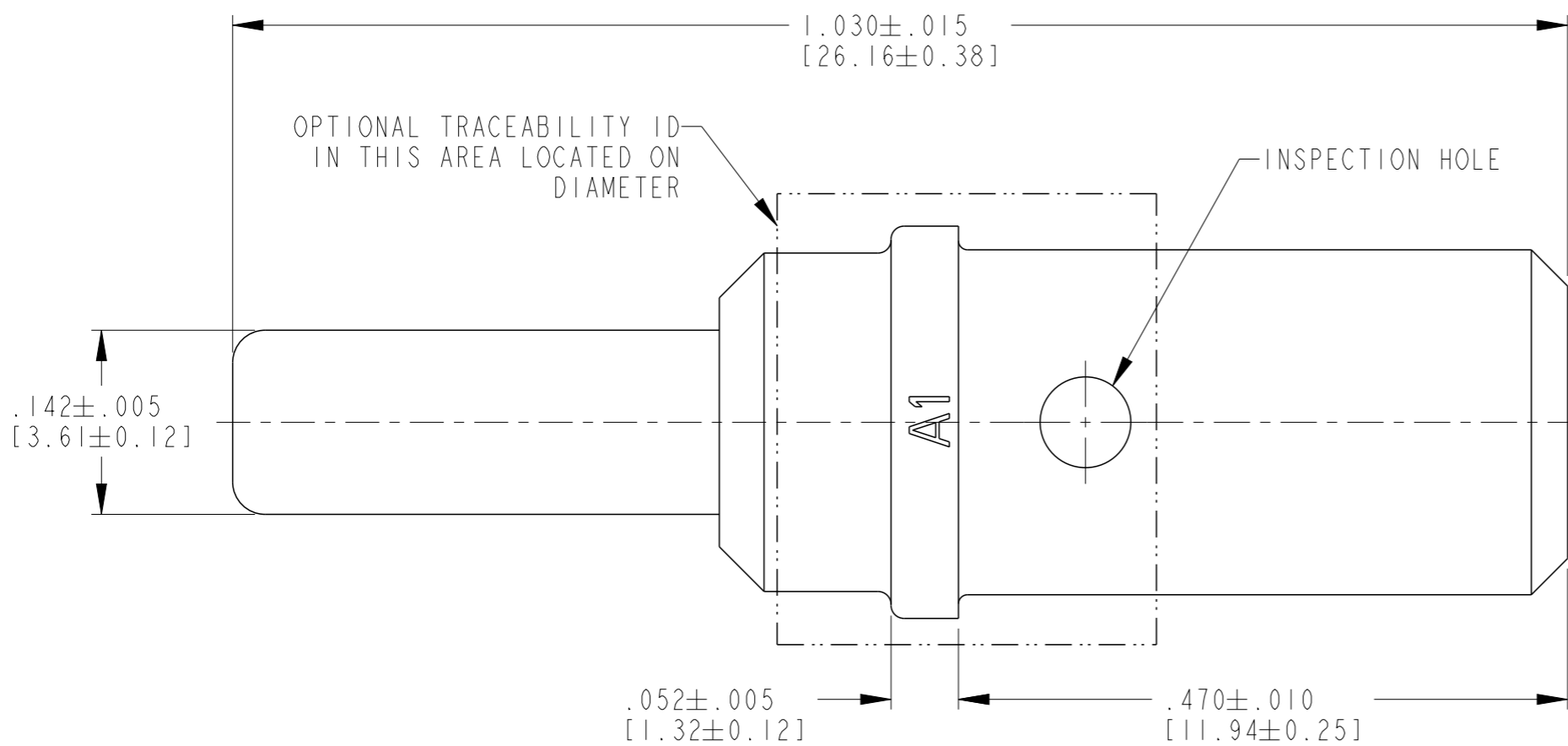


THIS DRAWING IS UNPUBLISHED. RELEASED FOR PUBLICATION 2018. © COPYRIGHT 2000 BY TE CONNECTIVITY ALL RIGHTS RESERVED.

REVISIONS					
P	LTR	DESCRIPTION	DATE	DWN	APVD
	A	REVISED PER PCN E-18-012207	31JUL2018	JA	DM
	A1	REVISED PER PCN E-20-012444	03SEP2020	CL	IG



- NOTES:
- (A1) 2. SEE APPLICATION SPECIFICATION 114-151004 FOR CRIMP TOOLS AND WIRE RANGE
 - (A1) 1. DELETED

TE INTERNAL PN	DEUTSCH PN	PLATING
0460-204-08141	0460-204-08141	NICKEL

THIS DRAWING IS A CONTROLLED DOCUMENT.		DWN	D. MEYER 29NOV2000		 TE Connectivity
DIMENSIONS: INCHES [mm]		CHK	S. BEARD 06DEC2000		
TOLERANCES UNLESS OTHERWISE SPECIFIED:		APVD	R. REED 08DEC2000		
0 PLC ± 1 PLC ± 2 PLC ± 3 PLC ± 4 PLC ± ANGLES ±		PRODUCT SPEC	108-151004		
MATERIAL COPPER ALLOY		FINISH	SEE TABLE		NAME CONTACT PIN SIZE 8
		WEIGHT	4.5g		SIZE A3
		CUSTOMER DRAWING			CAGE CODE 4AFU8
		SCALE	8:1		DRAWING NO. 0460-204-08XX
		SHEET	1 OF 1		RESTRICTED TO -
		REV	A1		