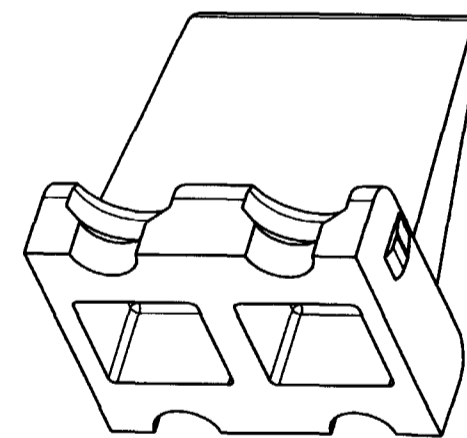
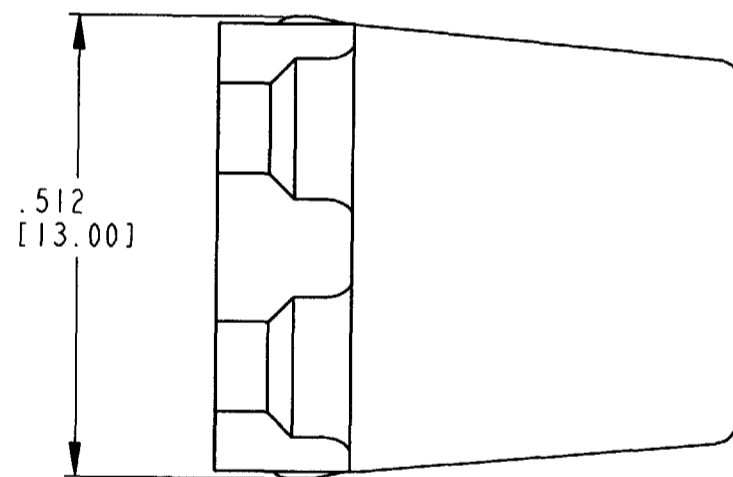
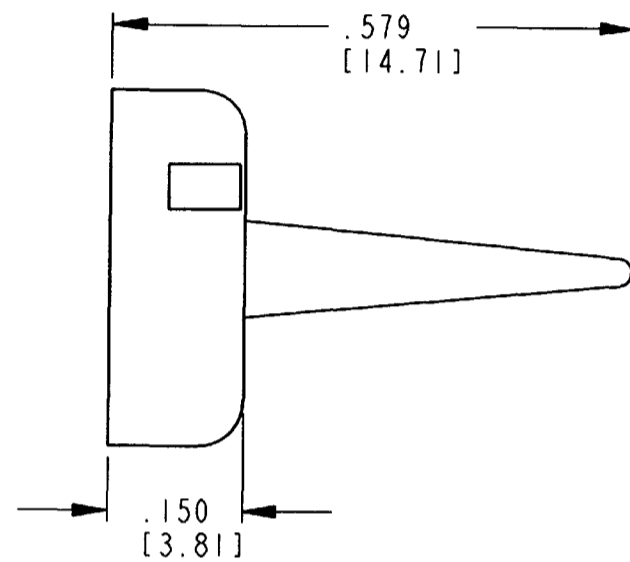
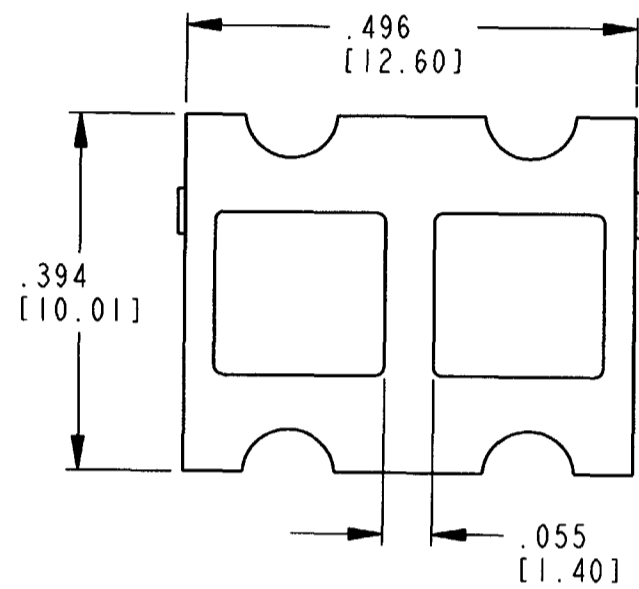


REV  
A  
**WP-4P**

REVISIONS			
SYM	DESCRIPTION	DATE	APPROVED
NC	NEW RELEASE PER E.O. P15534	1-30-98	RDR
A	REVISED PER E.O. P19824	4-21-00	RDR



- NOTES:
1. DIMENSIONS ARE IN INCHES [METRIC].
  2. DIMENSION TOLERANCE:  $\pm .015$  [ .38 ].
  3. THIS PART MATES WITH DTP04-4P PLUG.
  4. COLOR: ORANGE.

SIGNATURE & DATE	
DR	D. MEYER 01/28/98
CHK	<i>[Signature]</i> 4/17/08
PE	<i>[Signature]</i> 4/16/08
APPD	<i>[Signature]</i> 4/16/08
SCALE	4:1 JNT

WEDGE LOCK  
FOR 4 CONT. RECPT.  
HOUSING  
DTP SERIES

ENVELOPE

EP	MATL CODE
3850 INDUSTRIAL AVE. HEMET, CA 92545	
<b>DEUTSCH</b> INDUSTRIAL	
<b>B</b>	<b>WP-4P</b>
DWG SIZE	CODE 11139 SHEET 1 OF 1