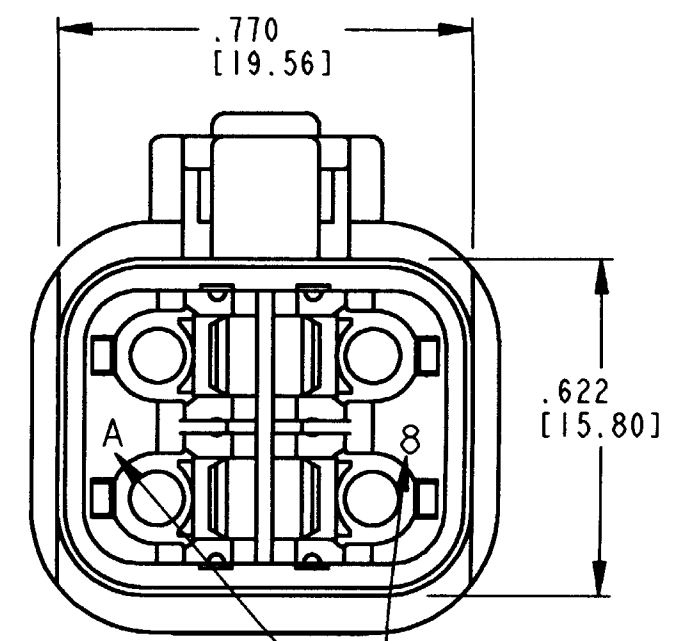
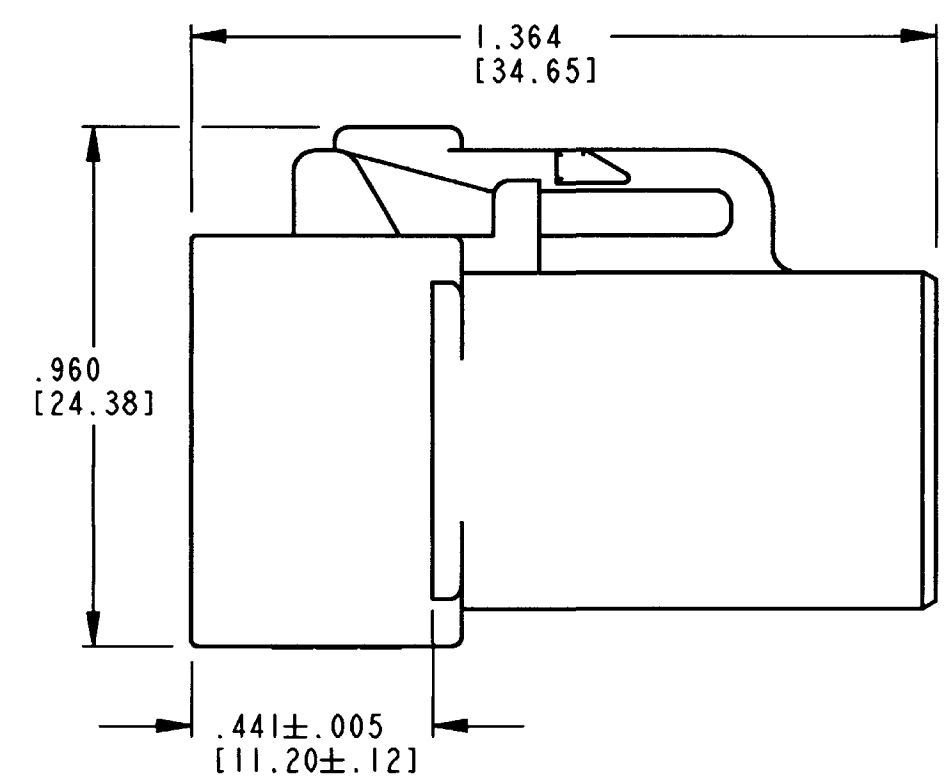
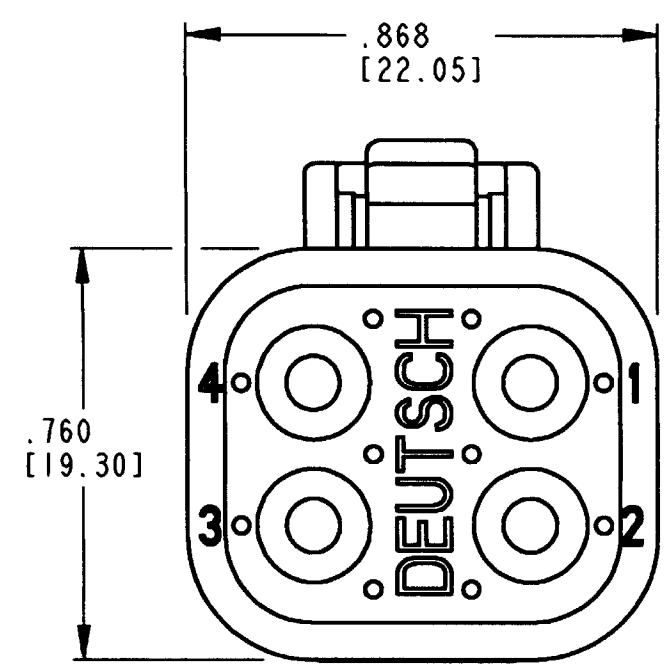


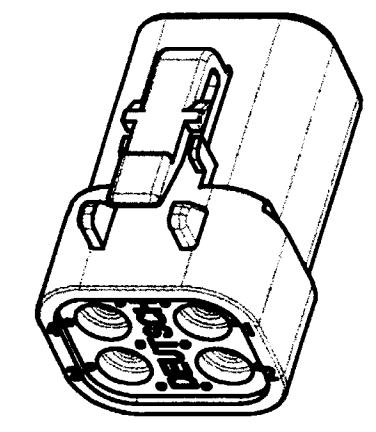
REV
B **DTP06-4S**

REVISIONS			
SYM	DESCRIPTION	DATE	APPROVED
NC	NEW RELEASE PER E.O. P15534	01/29/98	R.D.R.
A	REVISED PER E.O. P16905	10/18/00	R.D.R.
B	REVISED PER E.O. P17088	1-23-01	RDR



DATE CODE: MONTH IS REPRESENTED BY SEQUENTIAL ALPHA CHARACTERS. EX: A=JANUARY; YEAR IS REPRESENTED BY LAST NUMERICAL DIGIT. EX: 8=2008

- 6. MATERIAL: HOUSING: PLASTIC; GROMMET: RUBBER
 - 5. THIS PLUG MATES WITH DTP04-4P-**** RECEPTACLE. (**** = ALL MODIFICATIONS)
 - 4. FOR CONTACT AND WIRE PERFORMANCE AND APPLICATION CHARACTERISTICS SEE ENVELOPE DRAWING 0425-015-0000.
 - 3. SECONDARY WEDGE LOCK SOLD SEPARATELY, WP-4S.
 - 2. DIMENSION TOLERANCE: ±.025 [.64].
 - 1. DIMENSIONS ARE IN INCHES [mm].
- NOTES: UNLESS OTHERWISE SPECIFIED



3D VIEW

CONTACT SIZE	MIN. INSUL. O.D.	MAX INSUL. O.D.	WIRE RANGE [mm ²] REF ONLY	△ 4
12	.134 [3.40]	.195 [4.95]	10-14 AWG [5.0-2.0]	

SIGNATURE & DATE	
DR	D. MEYER 01/28/98
CHK	S. P. 11-12-01
PE	J. P. 1/11/01
APPD	D. Meyer 1/11/01
SCALE	NONE

PLUG
4 CONTACTS, SIZE 12
COLOR: GREY
DTP SERIES

ENVELOPE

CP	MATL. CODE
The Deutsch Company DEUTSCH I.P.D. 3850 INDUSTRIAL AVE. HEMET, CALIF. 92545	
B	DTP06-4S
DWG SIZE	CODE 11139 SHEET OF