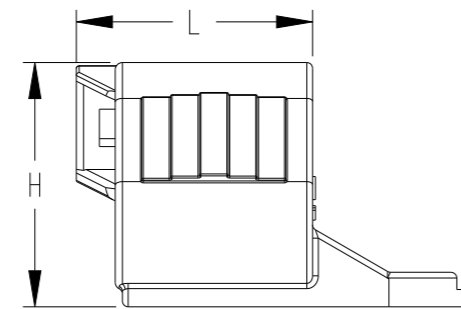
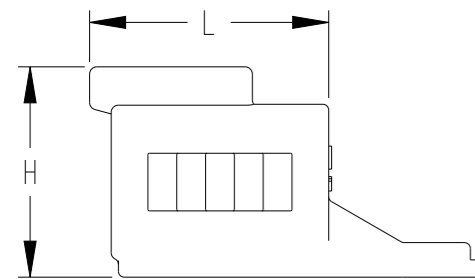
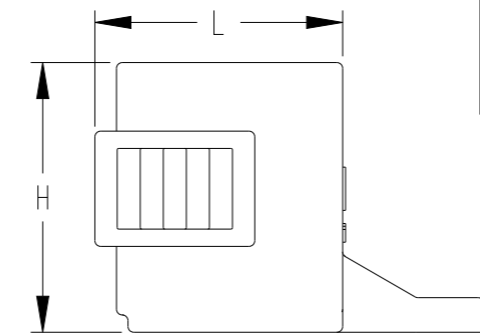
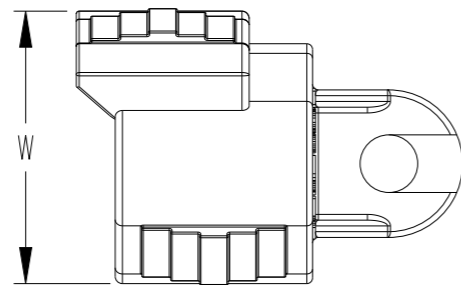
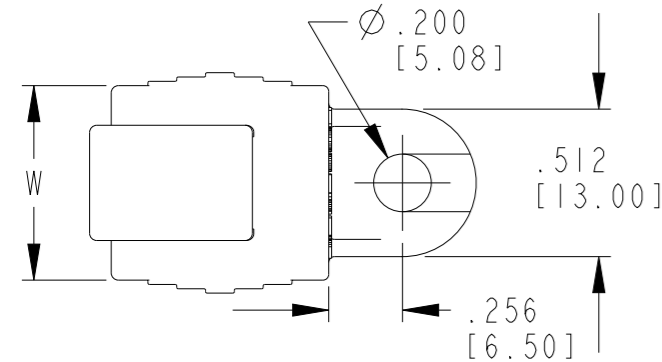
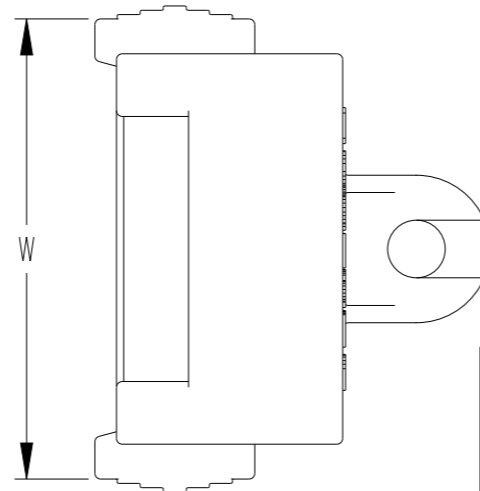
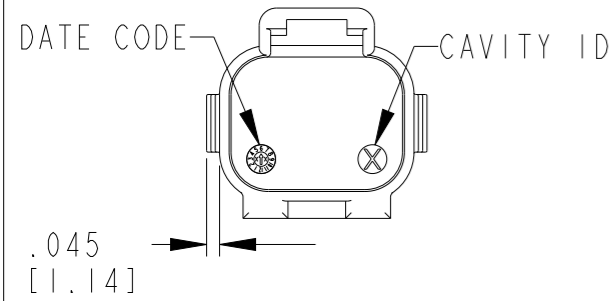
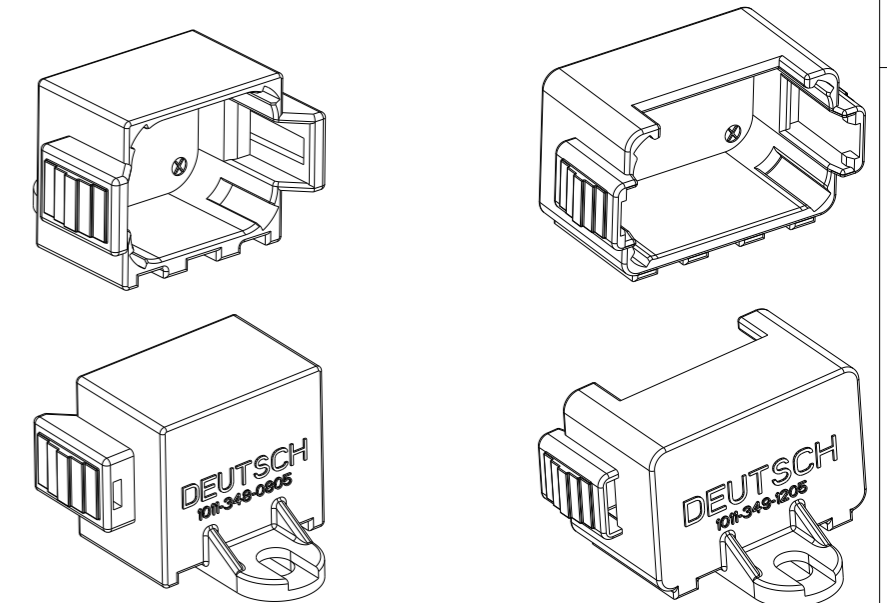


P	LTR	DESCRIPTION	DATE	DWN	APVD
NC		NEW RELEASE PER E.O. P20538	7/9/10	RDR	RDR
A		REVISED PER E.O. P20708	12/6/10	RDR	RDR
B		REVISED PER E.O. P20813	3/9/11	RDR	RDR
BI		REVISED PER PCN-22-160650	07DEC2022	MR	IG



CONNECTOR	ENVELOPE DIMENSIONS			PART NUMBER
	L	W	H	
DT06-2S	.830 [21.08]	.675 [17.15]	.730 [18.54]	1011-344-0205
DT06-3S	.820 [20.83]	.946 [24.02]	.848 [21.53]	1011-345-0305
DT06-4S	.830 [21.08]	.820 [20.83]	.836 [21.23]	1011-346-0405
DT06-6S	.830 [21.08]	.820 [20.83]	1.011 [25.68]	1011-347-0605
DT06-08S	.870 [22.10]	1.435 [36.45]	.960 [24.38]	1011-348-0805
DT06-12S DT16-15/18S	.860 [21.84]	1.597 [40.56]	.936 [23.77]	1011-349-1205

1011-349-1205



1011-344-0205

1011-345-0305

1011-346-0405

1011-347-0605

1011-348-0805

1011-349-1205

3 MATERIAL: PA66 GF15  
COLOR: BLACK

2. THESE PARTS MATE WITH DT PLUG CONNECTORS.

1. DIMENSIONS ARE IN INCHES [MILIMETERS] AND ARE ±.025 [0.63] UNLESS OTHERWISE SPECIFIED.

NOTES:

THIS DRAWING IS A CONTROLLED DOCUMENT.		DWN R. MESSENGER 6/23/10	TE Connectivity													
DIMENSIONS: INCHES [mm]		CHK B. BYFORD 3/4/11														
TOLERANCES UNLESS OTHERWISE SPECIFIED:		APVD S. BEARD 2/23/11	NAME 2-12 WAY CAPS FOR PLUGS DT SERIES													
<table border="0"> <tr> <td>0 PLC</td> <td>±</td> </tr> <tr> <td>1 PLC</td> <td>±</td> </tr> <tr> <td>2 PLC</td> <td>±</td> </tr> <tr> <td>3 PLC</td> <td>±.025 [0.63]</td> </tr> <tr> <td>4 PLC</td> <td>±</td> </tr> <tr> <td>ANGLES</td> <td>±</td> </tr> </table>		0 PLC	±	1 PLC	±	2 PLC	±	3 PLC	±.025 [0.63]	4 PLC	±	ANGLES	±	PRODUCT SPEC 108-151009	SIZE A3	
0 PLC	±															
1 PLC	±															
2 PLC	±															
3 PLC	±.025 [0.63]															
4 PLC	±															
ANGLES	±															
MATERIAL 3		APPLICATION SPEC 114-151009	CAGE CODE 00779	DRAWING NO G-1011-344/349-XX05												
FINISH -		WEIGHT -	RESTRICTED TO -	REV BI												
CUSTOMER DRAWING			SCALE 1:1	SHEET 1 OF 1												