

LOC	DIST	REVISIONS			
P	LTN	DESCRIPTION	DATE	OWN	APVD
B1		REVISED PER PCN E-18-005403	30APR2018	JA	DM
B2		REVISED PER PCN E-18-013976	03SEP2018	SS	DM
B3		REVISED PER PCN E-19-004598	15MAR2019	DD	DM
C		REVISED PER PCN E-19-014633	24APR2019	NS	RM

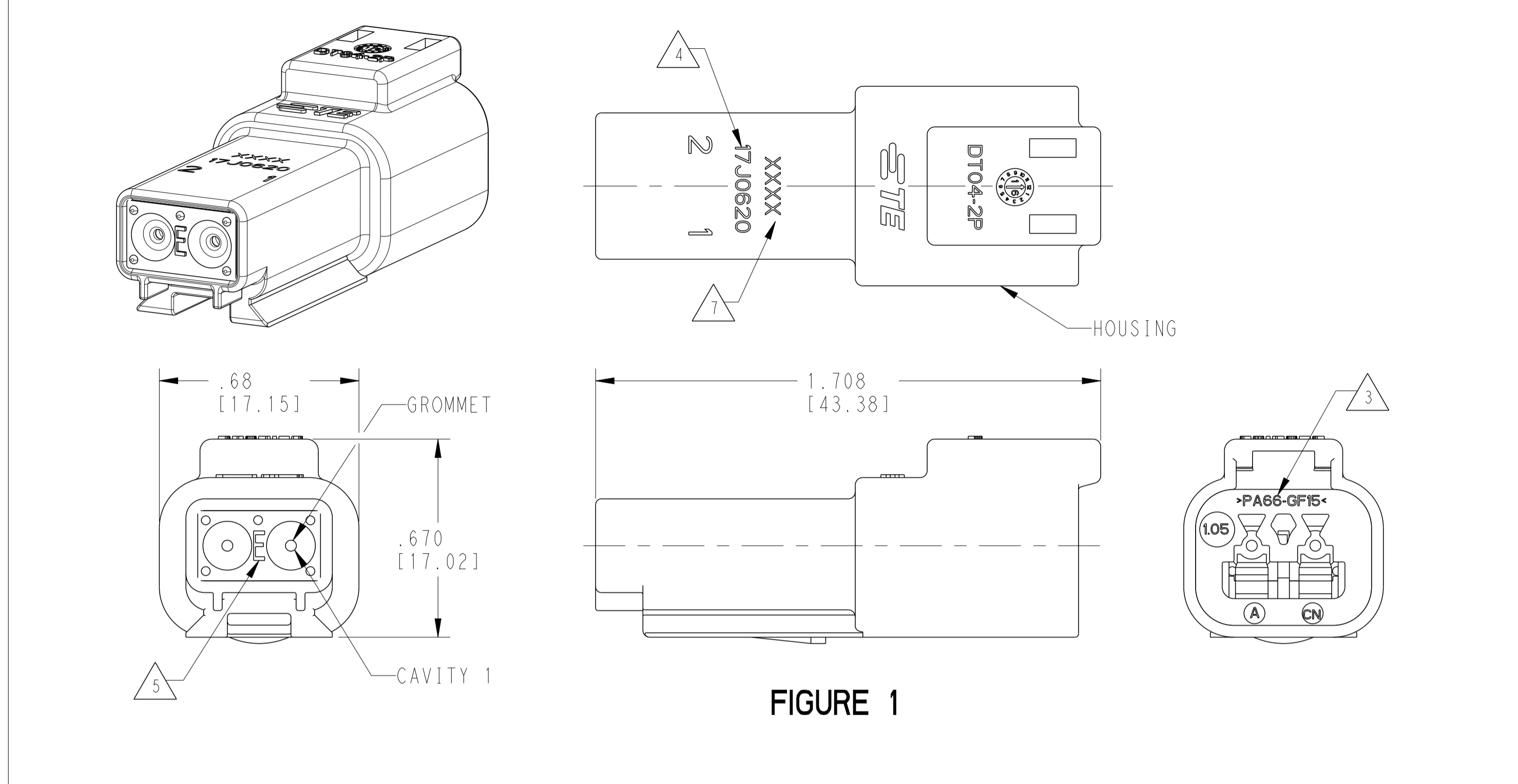


FIGURE 1

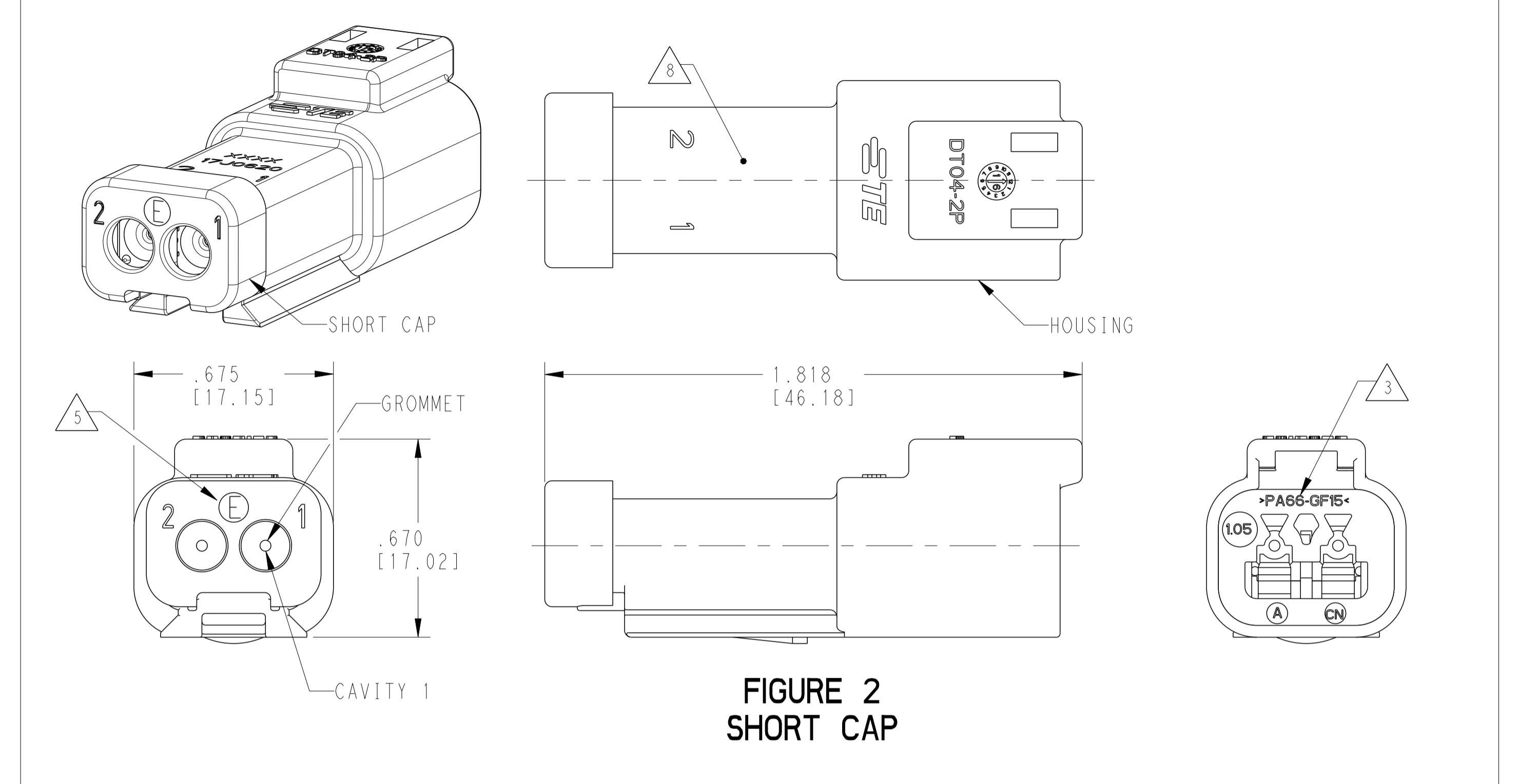


FIGURE 2
SHORT CAP

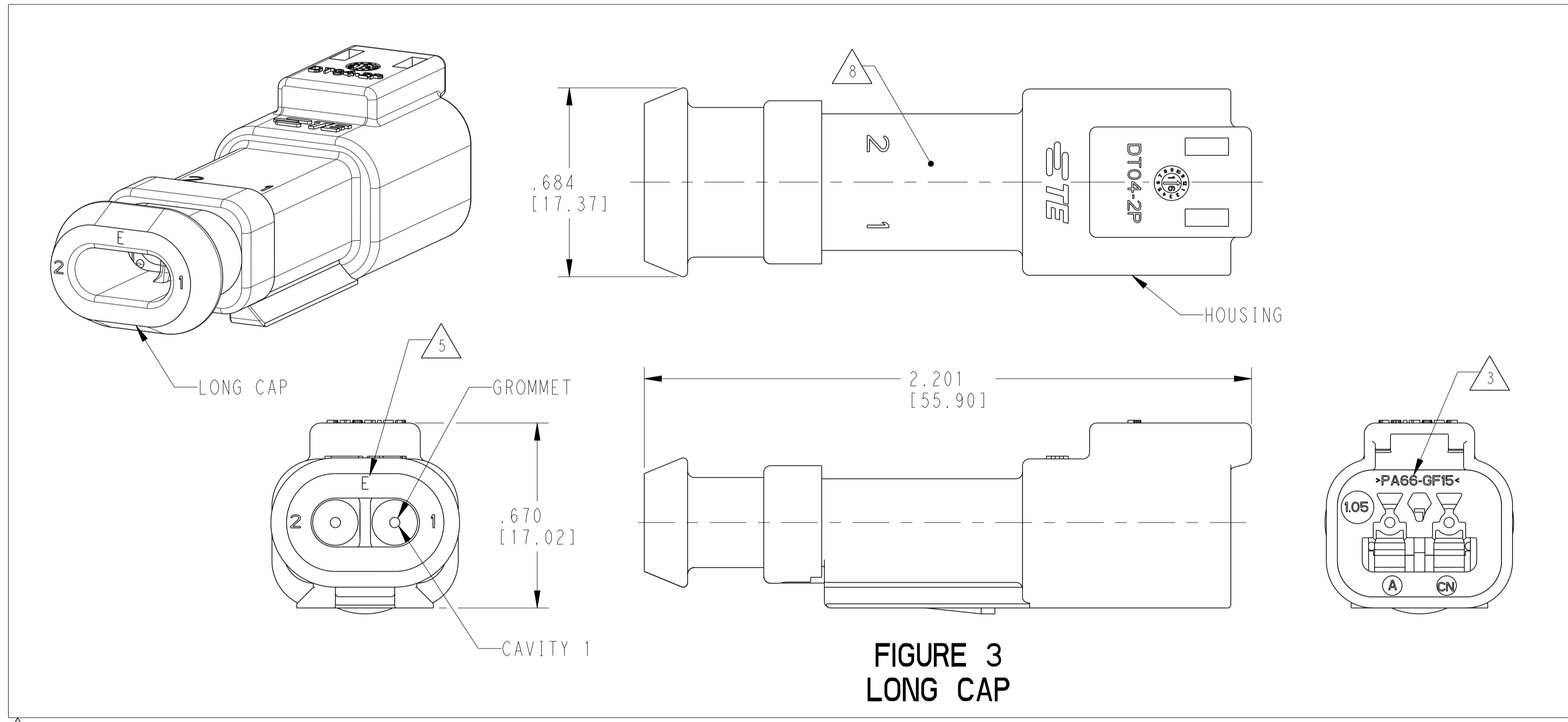


FIGURE 3
LONG CAP

CONTACT SIZE	WIRE RANGE	INSULATION OD SEALING RANGE	SEAL IDENTIFICATION
16	14-20 AWG [2.5-0.5mm ²]	.088-.145 [2.23-3.68]	STANDARD SEAL
		.053-.120 [1.35-3.05]	EXTRA THIN SEAL E-SEAL

TE INTERNAL PART NUMBER	DEUTSCH PART NUMBER	PN REV	COLOR	STANDARD SEAL GROMMET	EXTRA THIN SEAL E-SEAL GROMMET	SHORT CAP	LONG CAP	FIGURE
DT04-2P	DT04-2P	A	GREY	X				1
DT04-2P-C015	DT04-2P-C015	B	GREY		X			1
DT04-2P-CE01	DT04-2P-CE01	B	GREY		X	X		2
DT04-2P-CE04	DT04-2P-CE04	C	GREY		X		X	3
DT04-2P-E003	DT04-2P-E003	A	GREY	X			X	2
DT04-2P-E008	DT04-2P-E008	A	GREY	X			X	3
DT04-2P-EP04	DT04-2P-EP04	B	GREY	X		X		2
DT04-2P-P004	DT04-2P-P004	B	GREY	X				1
DT04-2P-CE02	DT04-2P-CE02	B	BLACK		X			1
DT04-2P-CE03	DT04-2P-CE03	B	BLACK		X	X		2
DT04-2P-CE09	DT04-2P-CE09	B	BLACK		X		X	3
DT04-2P-E004	DT04-2P-E004	A	BLACK	X				1
DT04-2P-E005	DT04-2P-E005	A	BLACK	X			X	2
DT04-2P-EE01	DT04-2P-EE01	A	BLACK	X			X	3

4 DATE CODE: IDENTIFIES THE YEAR, MONTH, DAY AND HOUR OF ASSEMBLY.
 YEAR: FIRST AND SECOND DIGITS. (17 = 2017)
 MONTH: THIRD DIGIT, EXCLUDING I. A = JAN, B = FEB, C = MARCH ... (K = OCTOBER)
 DAY: FOURTH AND FIFTH DIGITS (14 = 14th DAY)
 HOUR: SIXTH AND SEVENTH DIGITS (11 = 11AM)

3 MATERIAL: HOUSING, PA66 GF15. SEE TABLE FOR COLOR
 SHORT, LONG CAP: PA66 GF15, SEE TABLE FOR COLOR
 GROMMET: E-SEAL VMO (BURNT RED)
 N-SEAL VMO (RED-ORANGE)

8 ADDITIONAL MARKING PER NOTE 4 AND 7 EXCLUSIVELY FOR PARTS WITH CAPS PRODUCED IN CHINA.

7 XXXX IDENTIFIES THE MODIFICATION NUMBER, IF APPLICABLE. EXAMPLE: "E003" FOR DT04-2P-E003, OR BLANK FOR DT04-2P.

6. FOR CONTACTS AND WIRE PERFORMANCE AND APPLICATION CHARACTERISTICS SEE CUSTOMER DRAWING 0425-015-0000.

5 "E" IDENTIFIES E-SEAL.

2. THIS RECEPTACLE MATES WITH DT06-2S-XXXX PLUG.
 (XXXX = ALL MODIFICATIONS)

1. SECONDARY WEDGE LOCK SOLD SEPARATELY: W2PX-XXXX.
 (X = A,B,C,D KEY, XXXX = ALL MODIFICATIONS)

NOTES: UNLESS OTHERWISE SPECIFIED

THIS DRAWING IS A CONTROLLED DOCUMENT. OWN: JAIME C. APOSTOL 16 JUN 2016
 CHK: D. MEYER 16 JUN 2016
 APVD: D. MEYER 16 JUN 2016
 DIMENSIONS: in. [mm] TOLERANCES UNLESS OTHERWISE SPECIFIED:
 0 PLC ± .025 (0.64)
 1 PLC ± .025 (0.64)
 2 PLC ± .025 (0.64)
 3 PLC ± .025 (0.64)
 4 PLC ± .025 (0.64)
 ANGLES ± 30' 0"

MATERIAL: FINISH: WEIGHT: A1 4AFU8 C=DT04-2P-XXXX
 CUSTOMER DRAWING SCALE: 3:1 SHEET 1 OF 1 REV C

TE Connectivity
 NAME: 2 WAY RECEPTACLE, STANDARD SEAL EXTRA THIN SEAL, SHORT CAP AND LONG CAP, DT SERIES
 SIZE: CAGE CODE: DRAWING NO: RESTRICTED TO