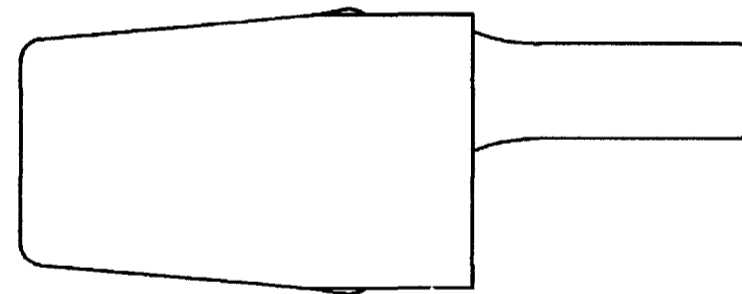
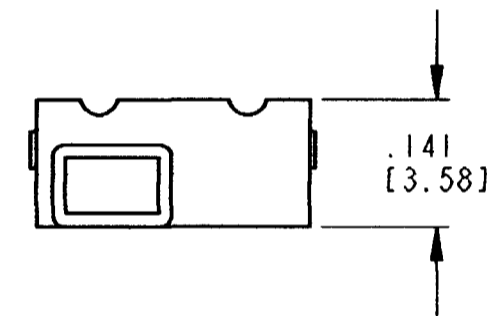
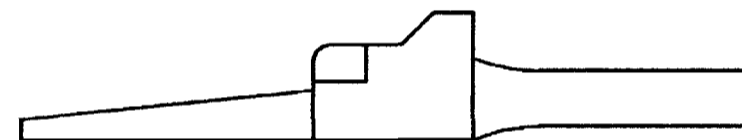
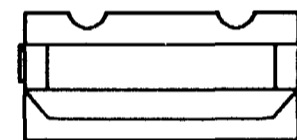
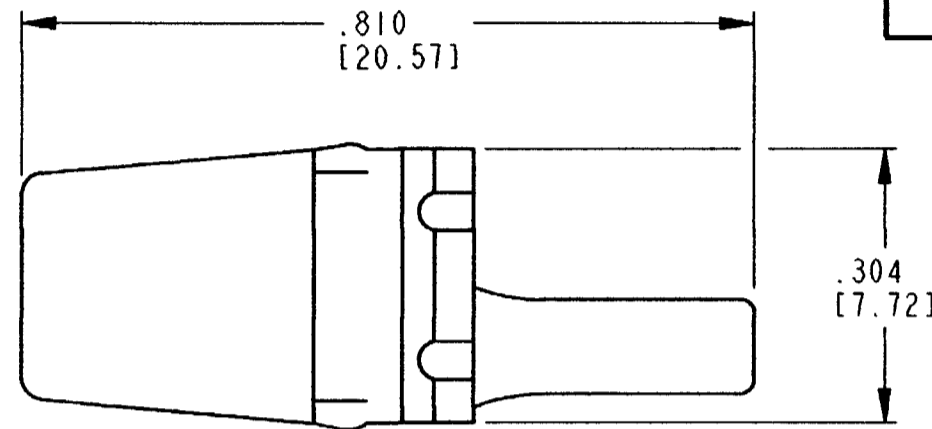
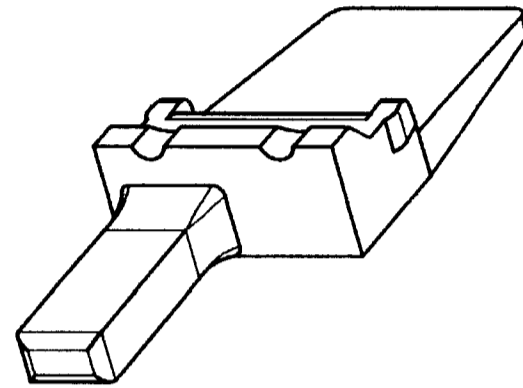


REV
A **WM-2P**

REVISIONS			
SYM	DESCRIPTION	DATE	APPROVED
NC	NEW RELEASE PER E.O. A14914	10-27-95	R.D.R.
A	REDRAWN & REVISED PER E.O. P19420	12-11-06	RDR



- 4. THIS WEDGE LOCK MATES WITH DTM04-2P-**** RECEPTACLE (**** = ALL MODIFICATIONS).
- 3. MATERIAL: PLASTIC; COLOR: ORANGE.
- 2. DIMENSION TOLERANCE: ±.025 [.64].
- 1. DIMENSIONS ARE IN INCHES [mm].

NOTES: UNLESS OTHERWISE SPECIFIED

SIGNATURE & DATE	
DR	J. APOSTOL 21 NOV 2006
CHK	H. Meyer 12/14/06
PE	D. Meyer 11/22/06
APPD	R. Reed 12-11-06
SCALE	NONE WT

WEDGE LOCK
2 CONTACTS
RECEPTACLE HOUSING
DTM SERIES

ENVELOPE

EP	MATL CODE
The Deutch Company DEUTSCH I.P.D. 3850 INDUSTRIAL AVE. HEMET, CALIF. 92545	
B	WM-2P
DWG SIZE	CODE 11139 SHEET 1 OF 1