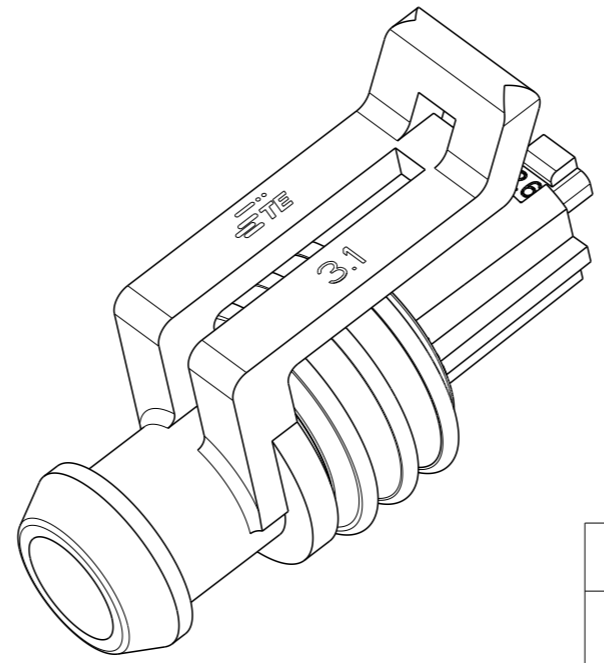
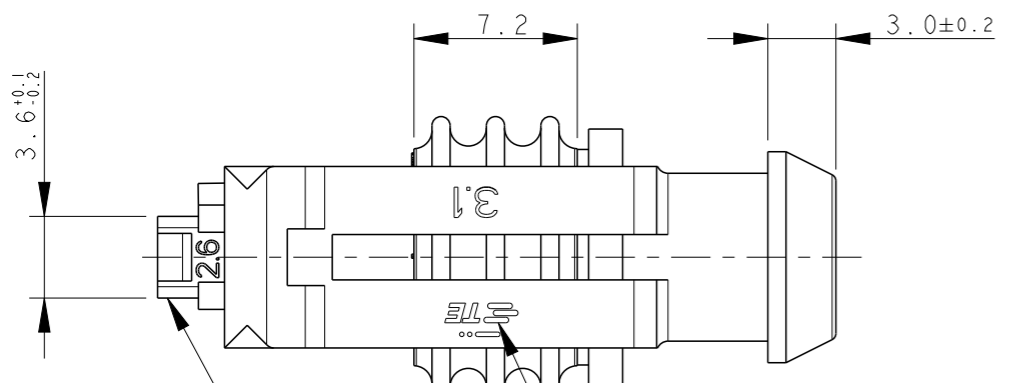
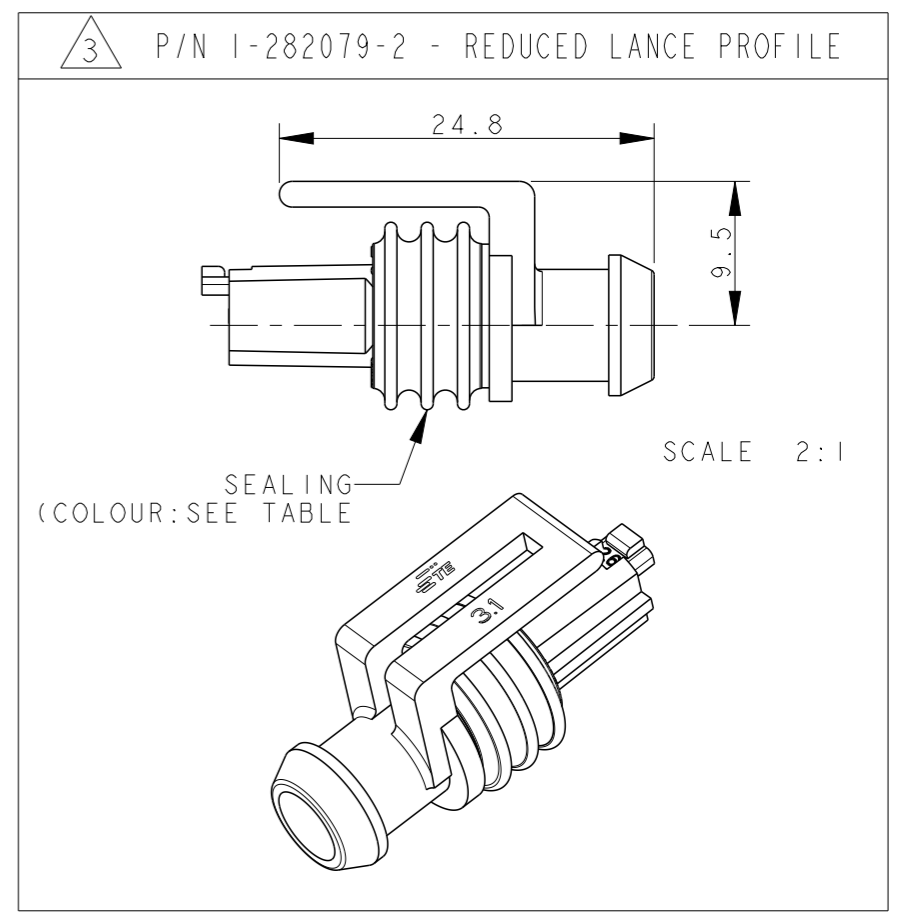
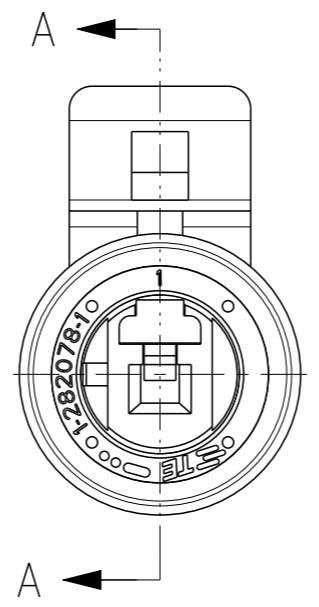
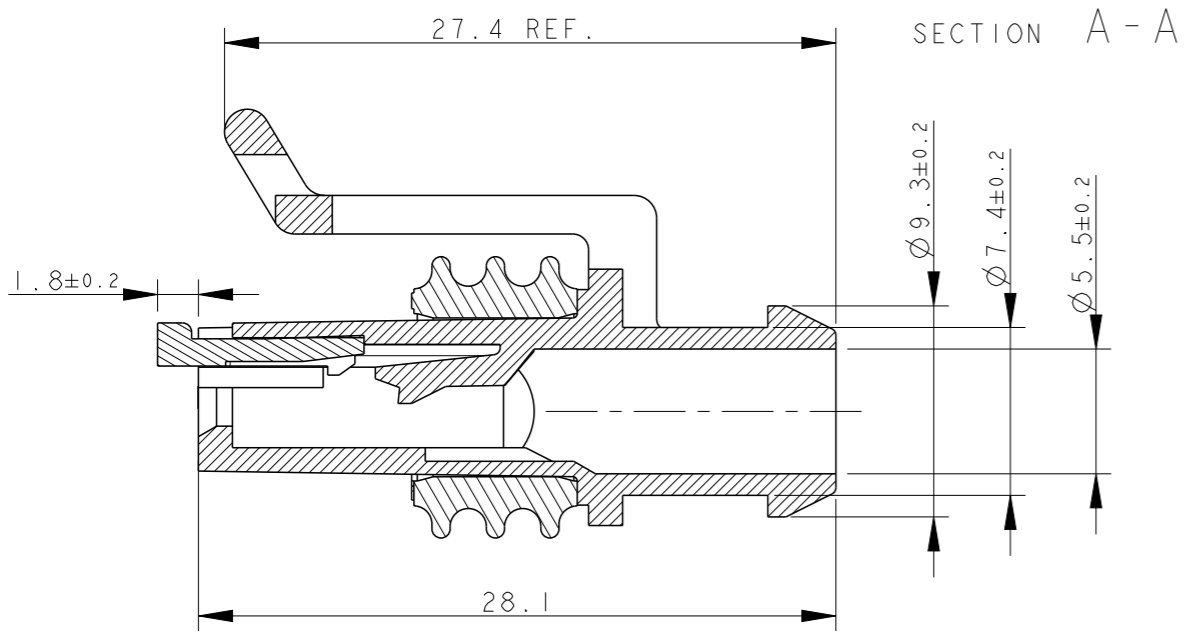


THIS DRAWING IS UNPUBLISHED. RELEASED FOR PUBLICATION 2011  
 © COPYRIGHT 2011 ALL RIGHTS RESERVED.

REVISIONS					
P	LTR	DESCRIPTION	DATE	DWN	APVD
	G	ECR-14-009314	24MAR2015	M.P.	M.G.
	G1	REVISED (ECR-15-014031)	25SEP2015	M.G.	M.G.
	G2	REVISED PER ECO-17-001706	10FEB2017	C.A.	M.G.
	G3	REVISED PER ECO-17-018626	18DEC2017	AP	VN



TE CONNECTIVITY TRADE MARK, (IN ALTERNATIVE: "AMP" LOGO, OR "Tyco Electronics" LOGO)

SEALING (COLOUR:SEE TABLE)

PRE-ASSEMBLED SECONDARY LOCK (COLOUR RED)

NOTE	SEAL COLOUR	HOUSING COLOR	MATERIAL	PART NUMBER
1	NATURAL	BLACK	HOUSING+SEC.LOCK: PA 66-GF SEALING: LSR (4% OIL CONTENT)	2-282079-2
	YELLOW	3 BLACK	HOUSING+SEC.LOCK: PA 66-GF SEALING: LSR (NO OIL CONTENT)	1-282079-2
	YELLOW	GRAY		282079-3
	YELLOW	BLACK		282079-2

1 WARNING: LOW RETENTION FORCE OF SEALING ON HOUSING (<9N)  
 2) FOR COUNTERPART DETAILS, SEE SHEET 2 OF 2

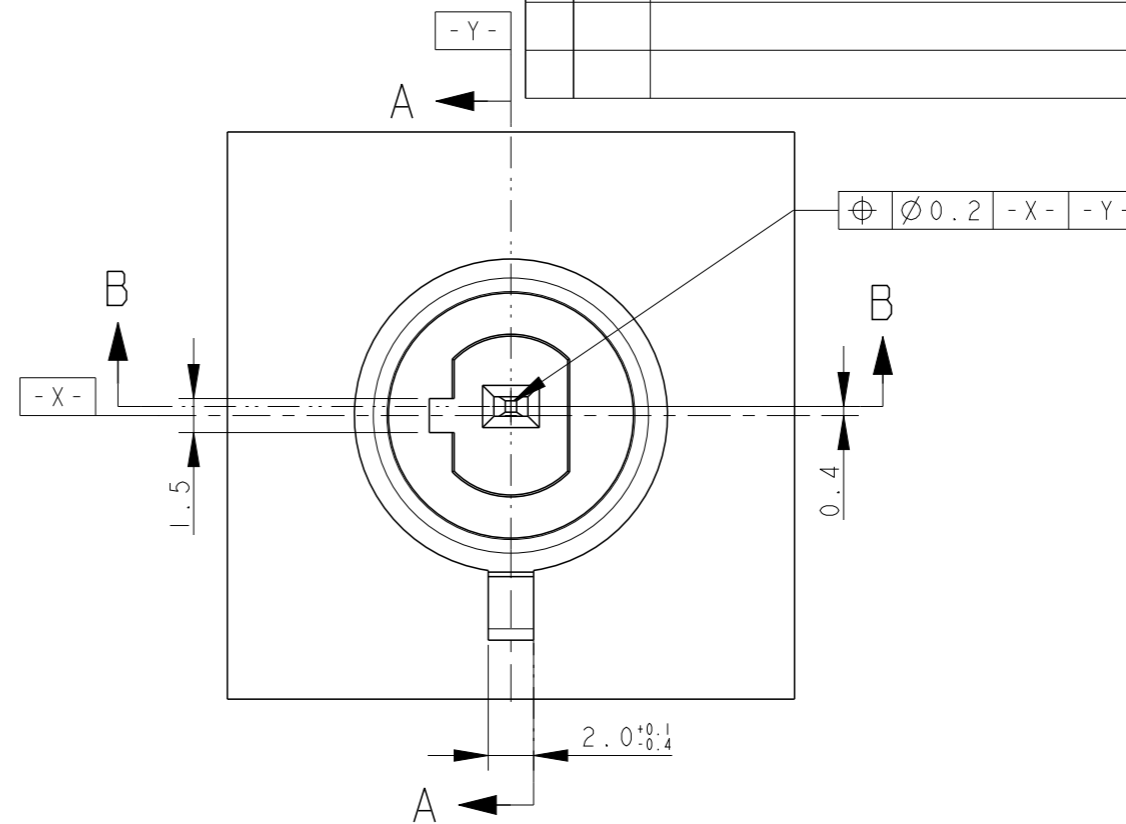
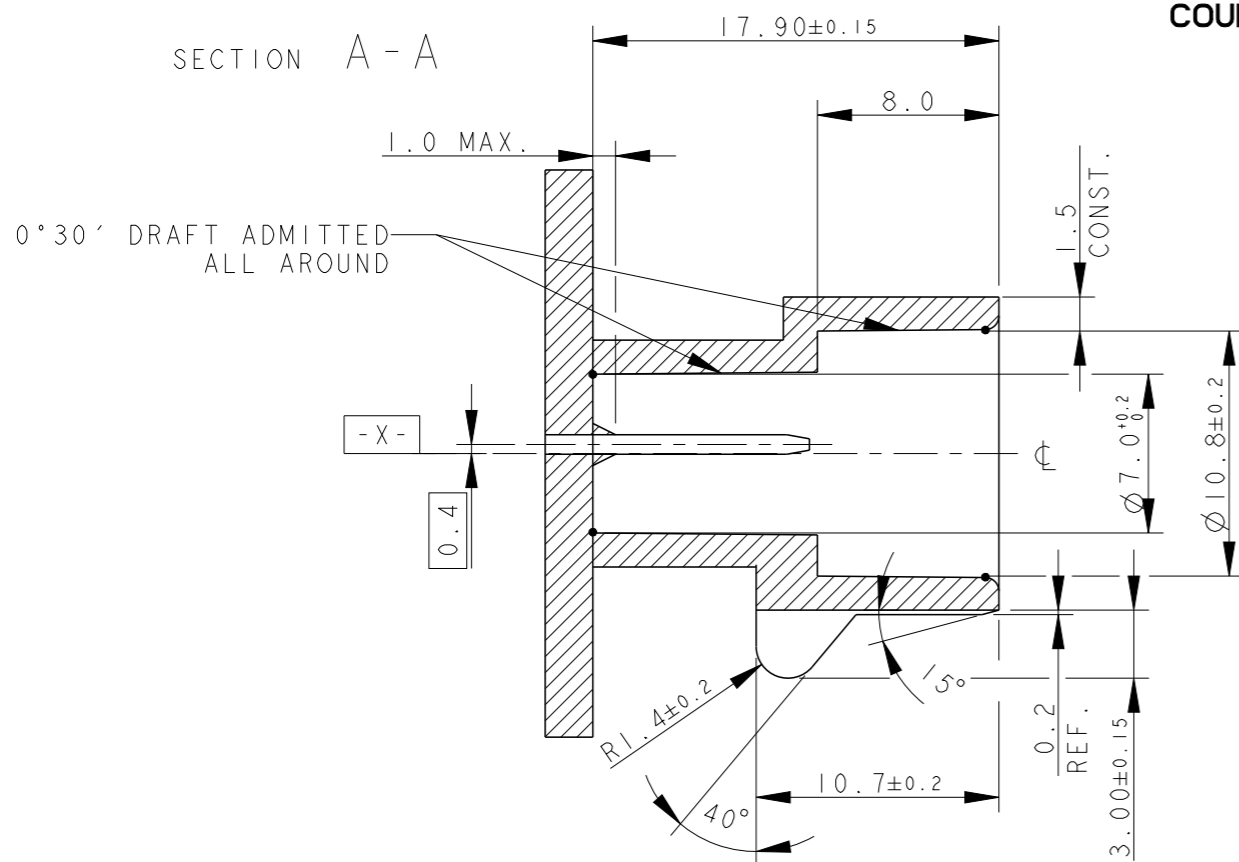
THIS DRAWING IS A CONTROLLED DOCUMENT.		DWN C. BERTINI 05-1992		TE Connectivity	
DIMENSIONS: mm		CHK A. BRUNI 05-1992			
TOLERANCES UNLESS OTHERWISE SPECIFIED:		APVD -		NAME -	
0 PLC ±-		PRODUCT SPEC 108-20090		AMP SUPERSEAL 1.5 SRS. 1 POSITION PLUG ASS'Y	
1 PLC ±0.3		APPLICATION SPEC 412-20000			
2 PLC ±-		WEIGHT 1.55gr		SIZE A3	CAGE CODE 00779
3 PLC ±-		Customer Drawing		DRAWING NO C-282079	RESTRICTED TO -
4 PLC ±-		SCALE 3:1		SHEET 1 OF 2	REV G3
ANGLES ±2°					
FINISH -					
MATERIAL -					
SEE TABLE					

REVISIONS

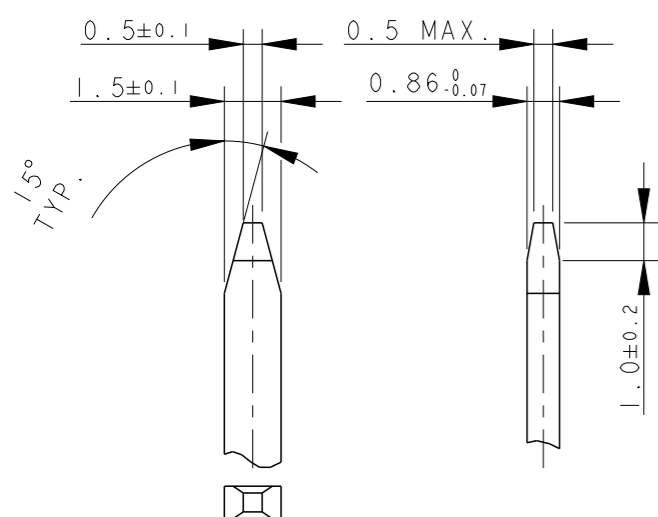
P	LTR	DESCRIPTION	DATE	DWN	APVD
-	-	SEE SHEET 1	-	-	-

COUNTERPART DETAILS

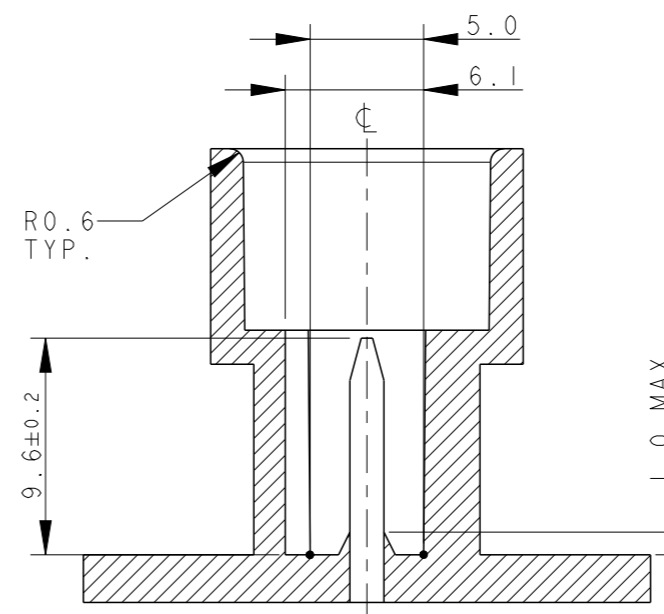
SECTION A - A



TAB DETAILS



SECTION B - B



MATERIALS: PA66-GF FOR HOUSING  
TIN PLATED BRASS FOR TABS

THIS DRAWING IS A CONTROLLED DOCUMENT.

DWN 05-1992  
C. BERTINI

CHK 05-1992  
A. BRUNI

APVD -

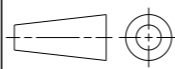
NAME

DIMENSIONS:

mm

TOLERANCES UNLESS OTHERWISE SPECIFIED:

- 0 PLC ±0.3
- 1 PLC ±0.1
- 2 PLC ±0.05
- 3 PLC ±
- 4 PLC ±
- ANGLES ±2°



MATERIAL



FINISH



PRODUCT SPEC 108-20090

APPLICATION SPEC 412-20000

WEIGHT 1.55gr



AMP SUPERSEAL 1.5 SRS.  
1 POSITION PLUG ASS'Y

SIZE CAGE CODE DRAWING NO RESTRICTED TO

A300779 C-282079

Customer Drawing SCALE 5:1 SHEET 2 OF 2 REV G3