

4

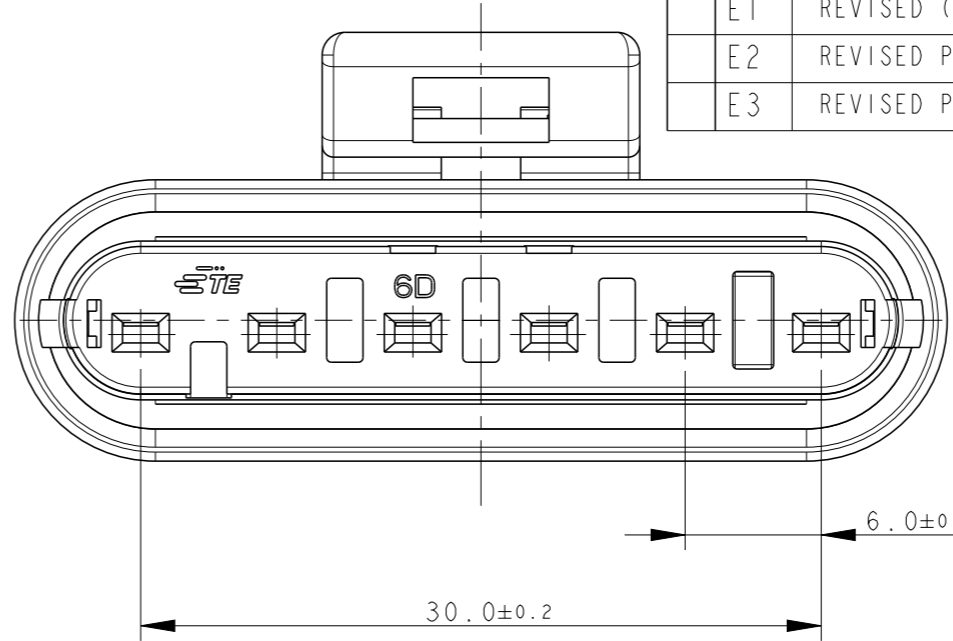
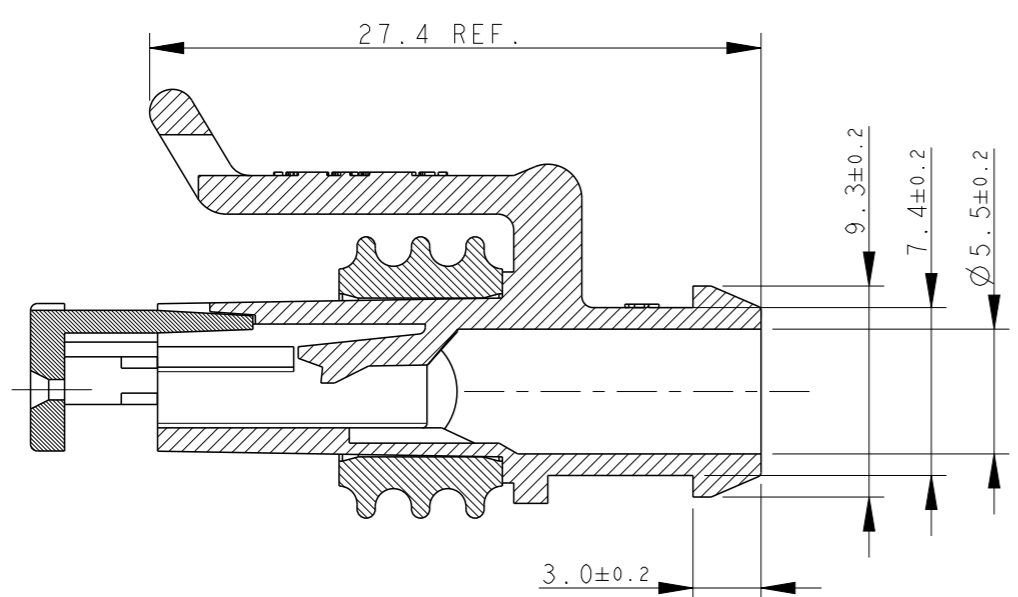
3

2

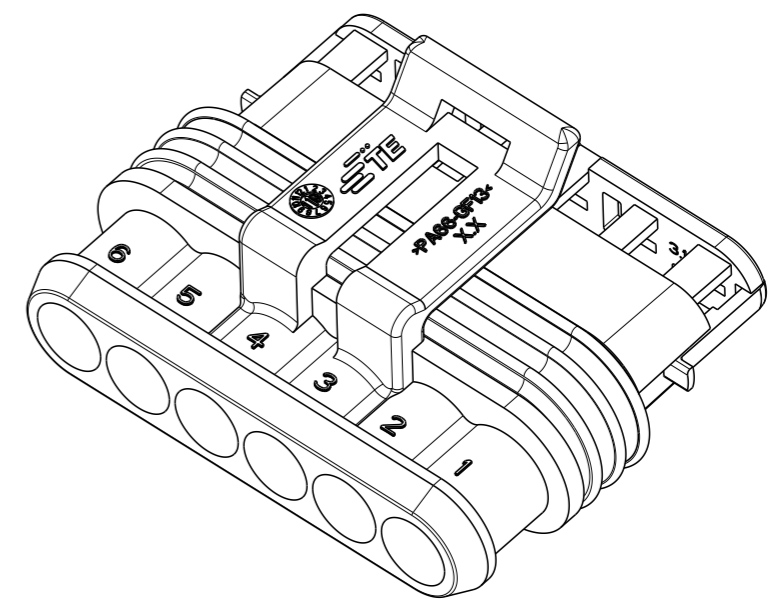
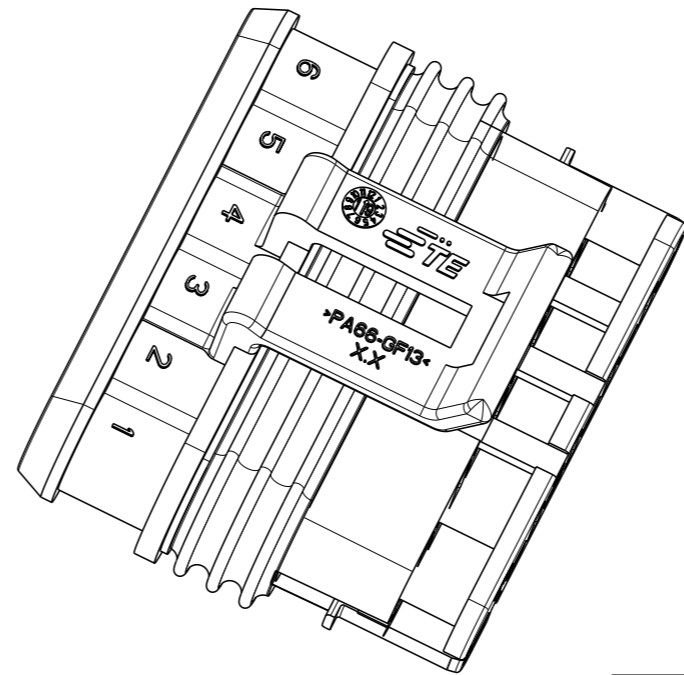
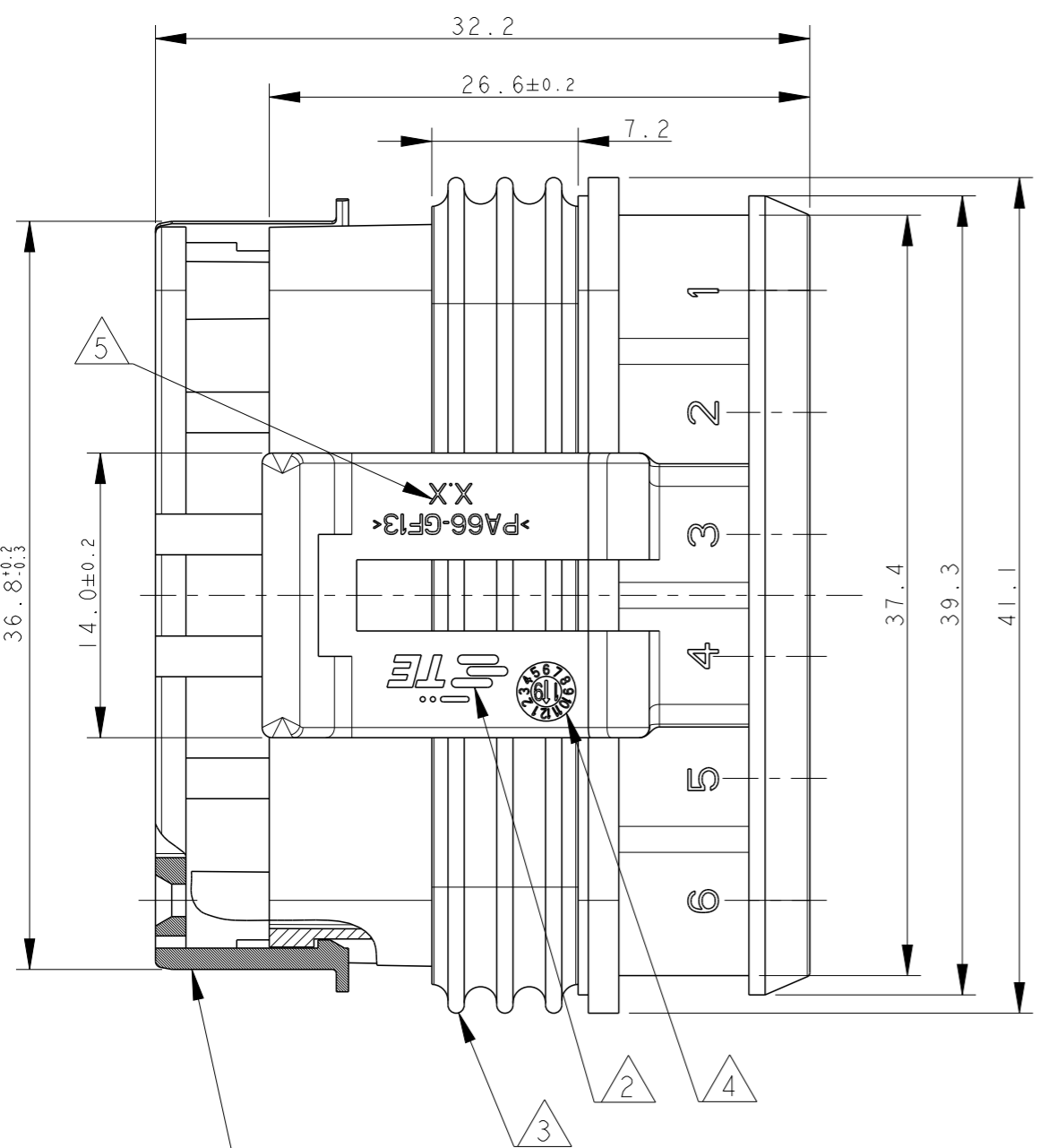
1

THIS DRAWING IS UNPUBLISHED. RELEASED FOR PUBLICATION 2011
COPYRIGHT 2011 ALL RIGHTS RESERVED.

P	LTR	DESCRIPTION	DATE	DWN	APVD
	E	ECR-14-009314	24MAR2015	M.P.	M.G.
	E1	REVISED (ECR-15-014031)	25SEP2015	M.G.	M.G.
	E2	REVISED PER ECO-17-001706	10FEB2017	C.A.	M.G.
	E3	REVISED PER ECO-19-017338	15NOV2019	AP	VN



- 1) FOR COUNTERPART DETAILS, SEE SHEET 2 OF 2
- 2) TE CONNECTIVITY TRADE MARK, (IN ALTERNATIVE: "AMP" LOGO, OR "Tyco Electronics" LOGO)
- 3) SEALING (COLOUR YELLOW FOR LSR VERSION)
- 4) DATECODE (OPTIONAL IN OLD MOULDS)
- 5) MOULD/MOULD CAVITY NUMBER



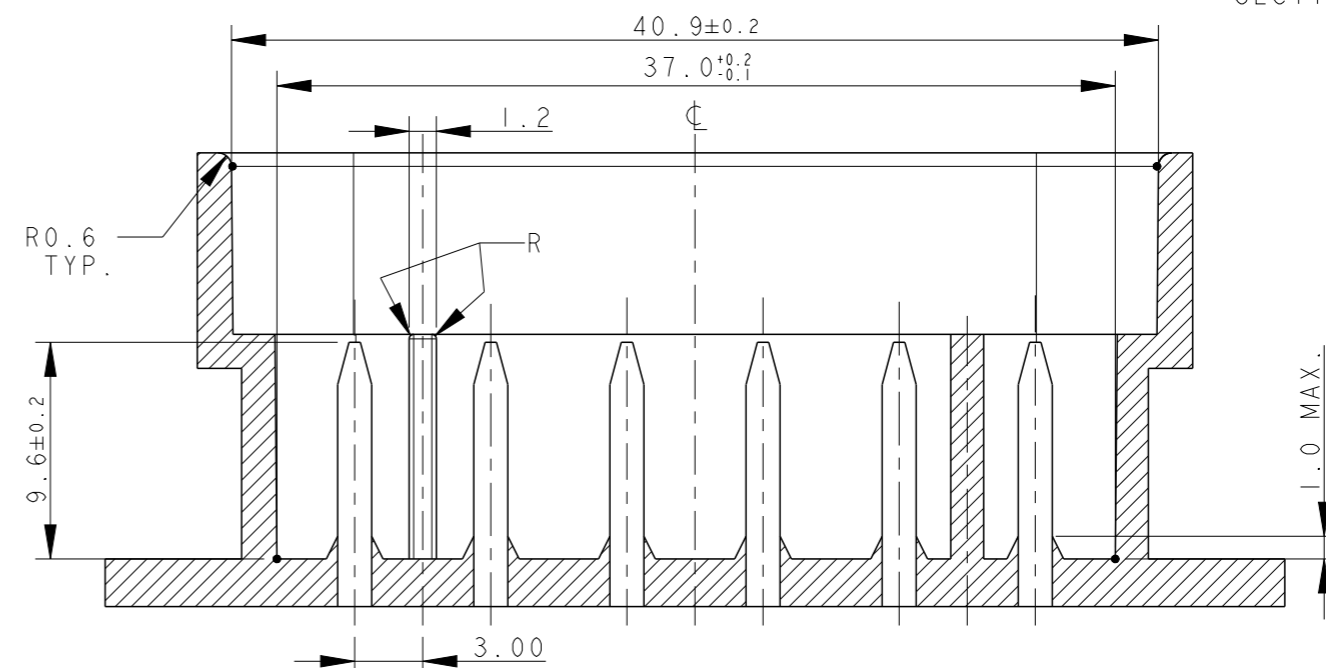
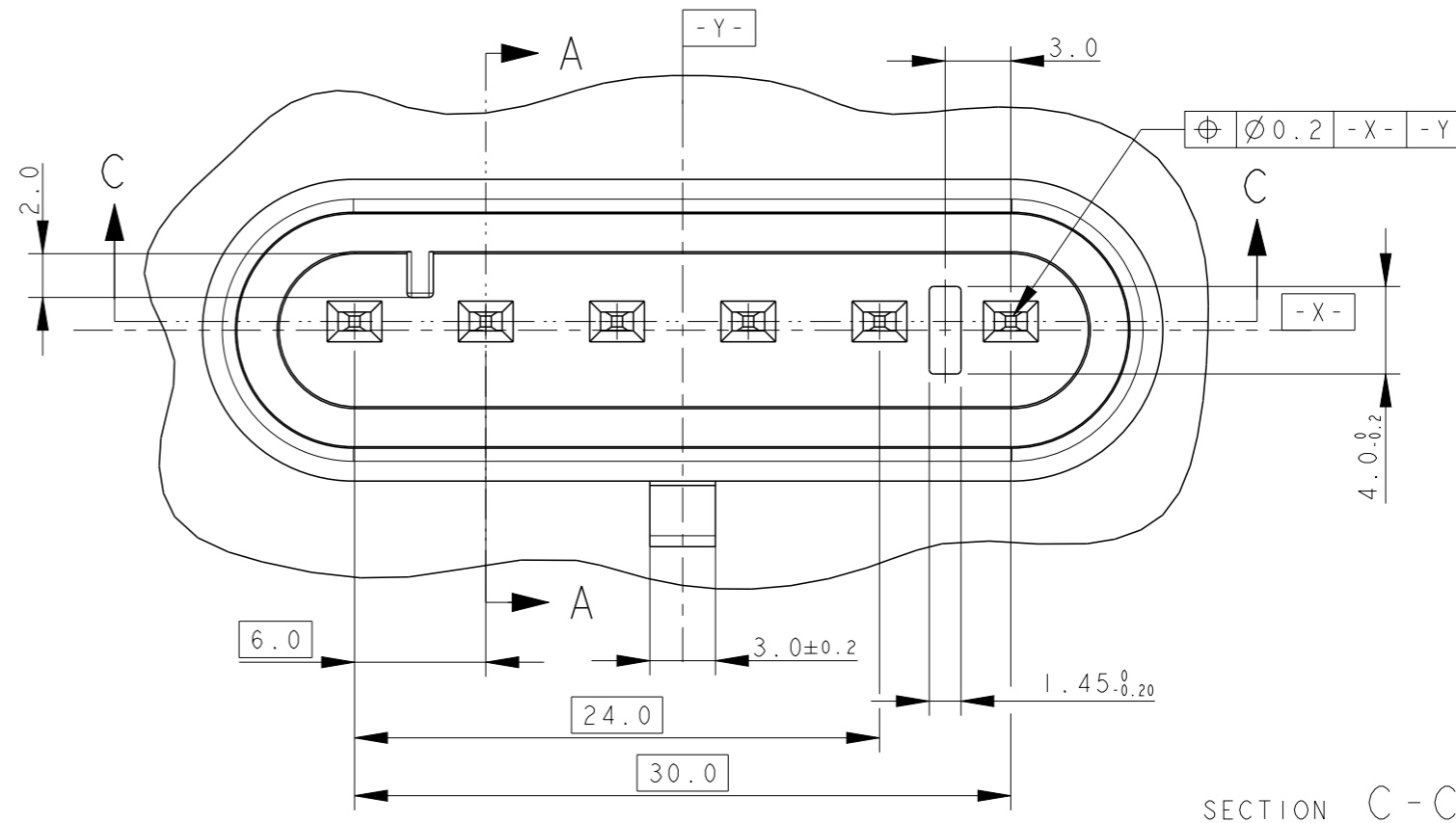
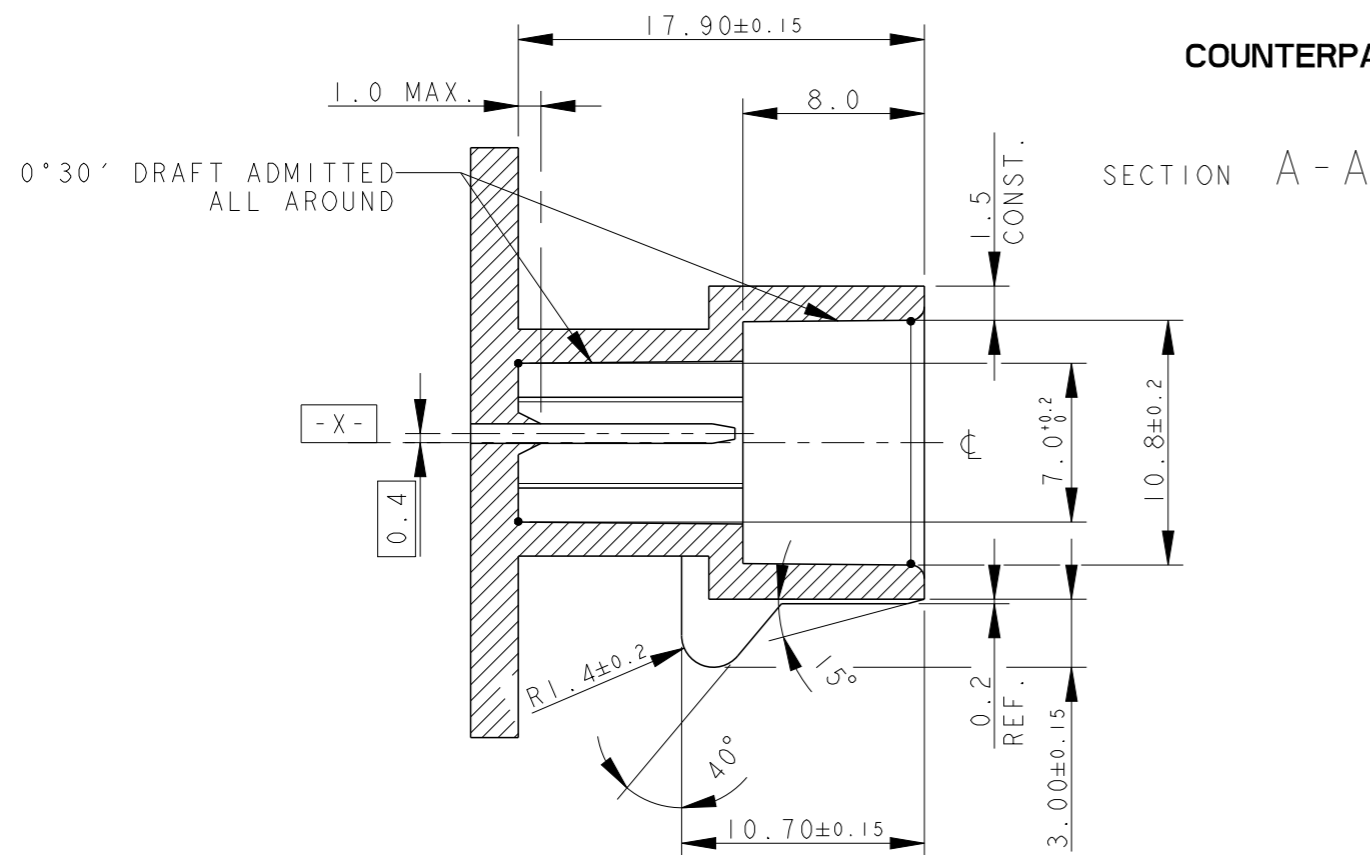
FINISH/COLOR	MATERIAL	PART NUMBER
HSG-WHITE, SL-WHITE	ACC. TO IEC 60335-1 HSG+SL: PA66GF20 UL94-V2 SEALING: LSR	1745085-1
HSG-BLACK, SL-RED	HOUSING+SEC.LOCK: PA66-GF SEALING: LSR	282090-1

THIS DRAWING IS A CONTROLLED DOCUMENT.	
DIMENSIONS: mm	TOLERANCES UNLESS OTHERWISE SPECIFIED:
	0 PLC ± 1 PLC ±0.3 2 PLC ± 3 PLC ± 4 PLC ± ANGLES ±2°
MATERIAL SEE TABLE	FINISH SEE TABLE

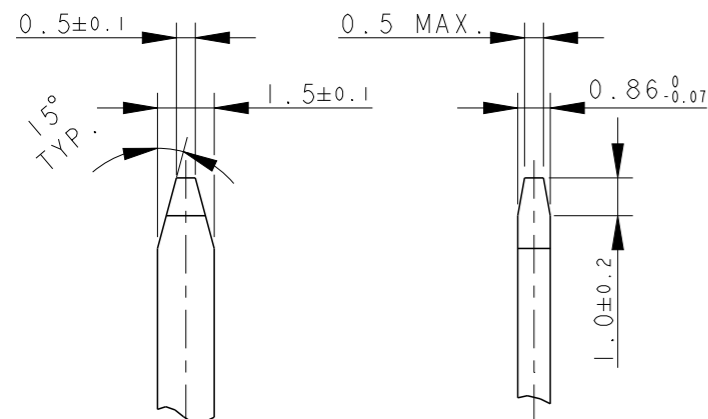
DWN C. BERTINI 05-1992	TE Connectivity	
CHK A. BRUNI 05-1992		
APVD -	NAME -	
PRODUCT SPEC 108-20090	AMP SUPERSEAL 1.5 SRS. 6 POSITIONS PLUG ASS'Y	
APPLICATION SPEC 412-20000	SIZE A3	CAGE CODE 00779
WEIGHT 6.55gr	DRAWING NO C-282090	RESTRICTED TO -
Customer Drawing	SCALE 3:1	SHEET 1 OF 2
		REV E3

P	LTR	DESCRIPTION	DATE	DWN	APVD
		SEE SHEET 1			

COUNTERPART DETAILS



TAB DETAILS



MATERIALS: PA66-GF FOR HOUSING
 TIN PLATED BRASS FOR TABS
 FOR PN 1745085-1: COUNTER PART MATL
 PA66-GF ACC TO IEC60335-1
 PRODUCT SPEC: 108-20090-2

THIS DRAWING IS A CONTROLLED DOCUMENT.		DWN C. BERTINI 05-1992	TE Connectivity		
DIMENSIONS: mm		CHK A. BRUNI 05-1992			
TOLERANCES UNLESS OTHERWISE SPECIFIED:		APVD -	NAME -		
0 PLC ±0.3 1 PLC ±0.1 2 PLC ±0.05 3 PLC ± 4 PLC ± ANGLES ±2°		PRODUCT SPEC 108-20090	AMP SUPERSEAL 1.5 SRS. 6 POSITIONS PLUG ASS'Y		
MATERIAL		APPLICATION SPEC 412-20000	SIZE A300779	DRAWING NO C-282090	RESTRICTED TO -
FINISH		WEIGHT 6.55gr	SCALE 5:1	SHEET 2 OF 2	REV E3
		Customer Drawing			