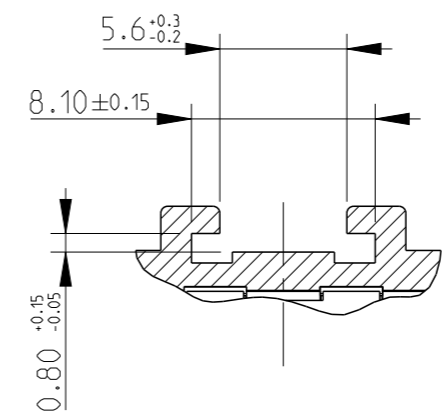
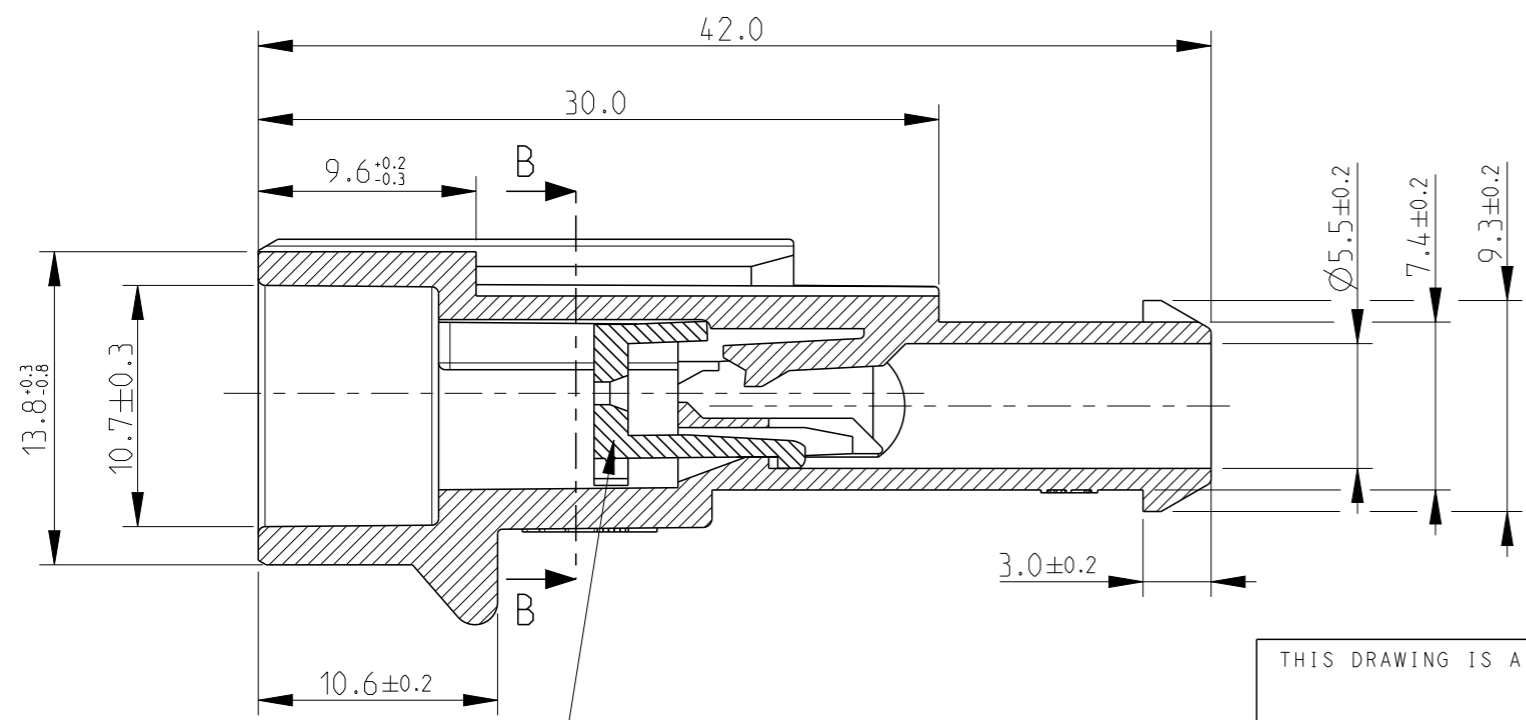
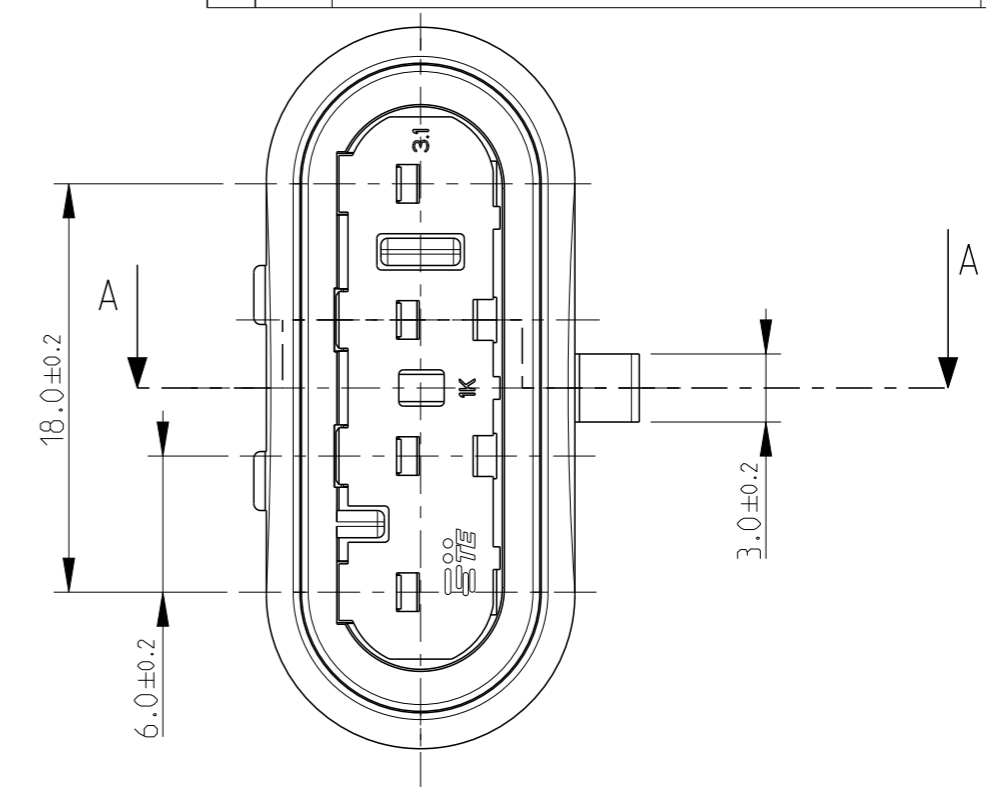
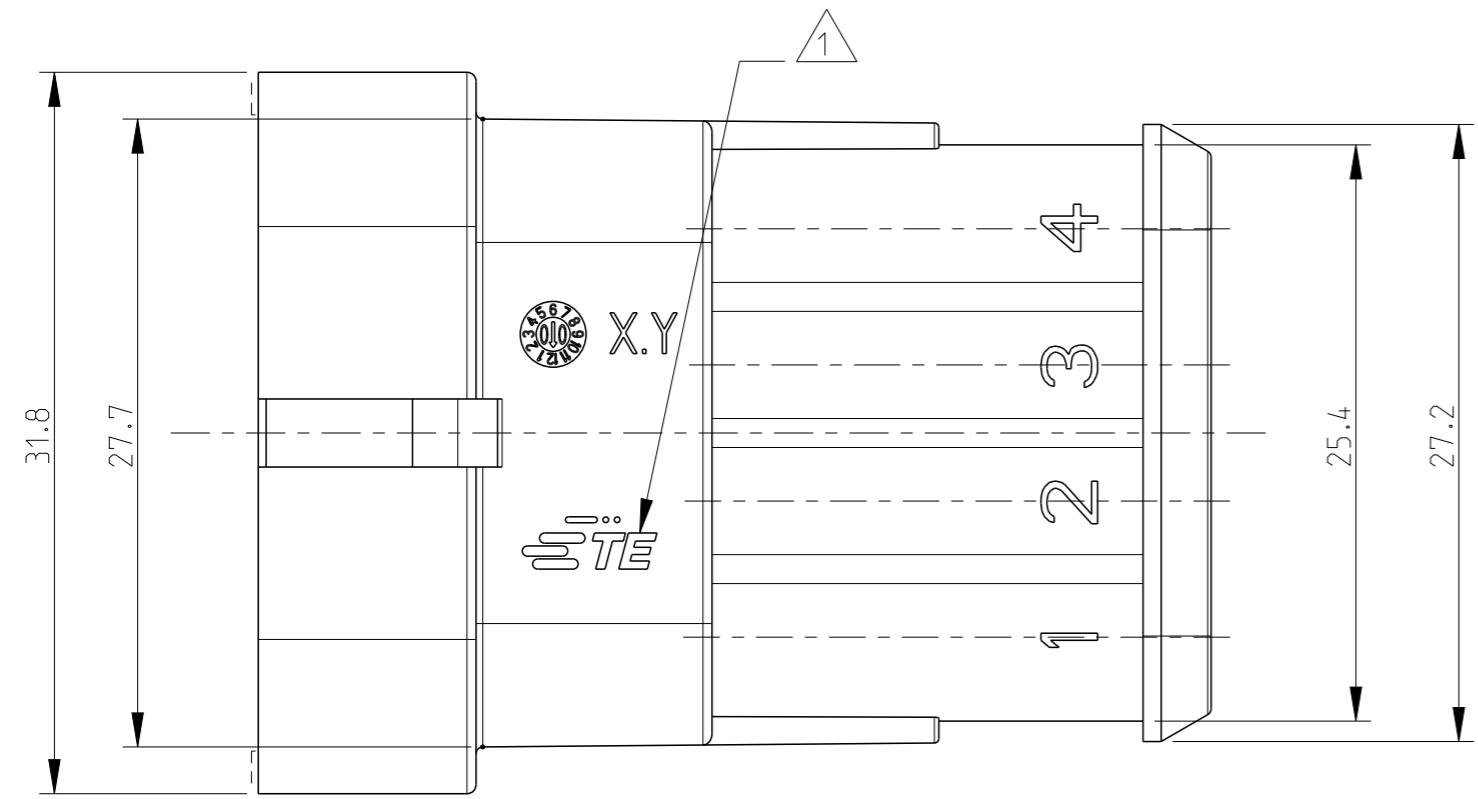


THIS DRAWING IS UNPUBLISHED. RELEASED FOR PUBLICATION 20
 © COPYRIGHT 20 BY - ALL RIGHTS RESERVED.

REVISIONS					
P	LTR	DESCRIPTION	DATE	DWN	APVD
B3		REVISED (ECO-17-009774)	06SEP2017	M.G.	M.G.
B4		REVISED PER ECO-20-002019	12FEB2020	AP	VN



PART. SECTION B-B

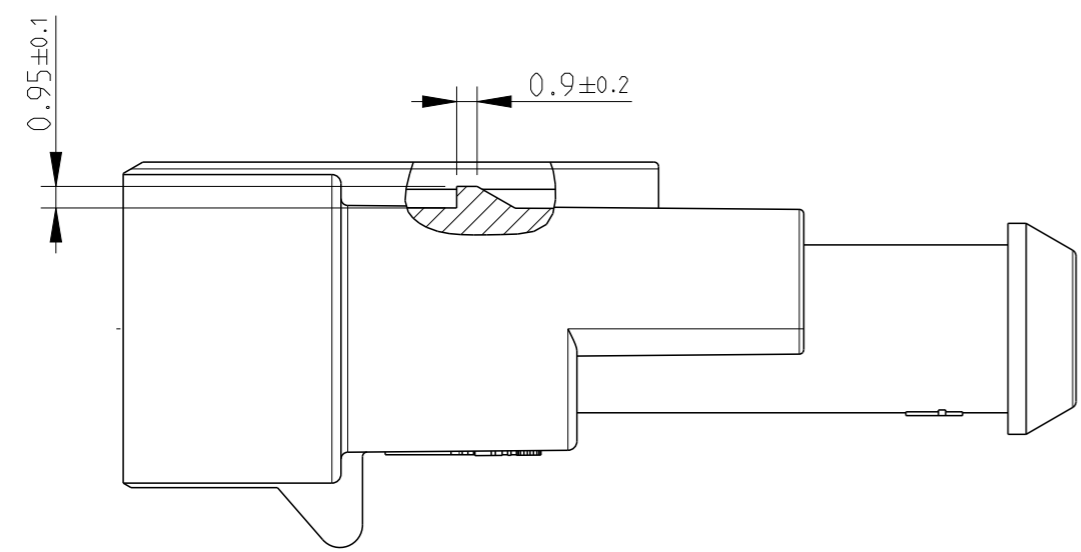
BROWN	PA66-GF	B	4-282106-1
GRAY	PA66-GF	B	282106-2
BLACK	PA66-GF	B	282106-1
FINISH/COLOR	MATERIAL	REV	PART NUMBER

△1 TE CONNECTIVITY TRADE MARK, (IN ALTERNATIVE: "AMP" LOGO, OR "Tyco Electronics" LOGO)
 △2 PRELIMINARY

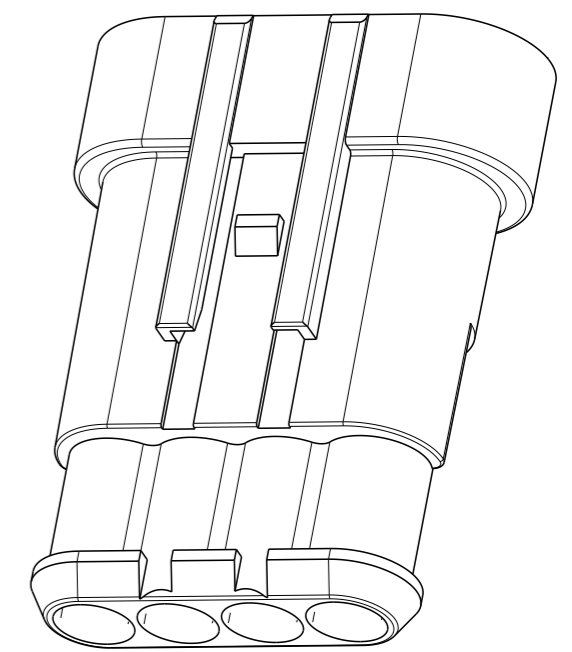
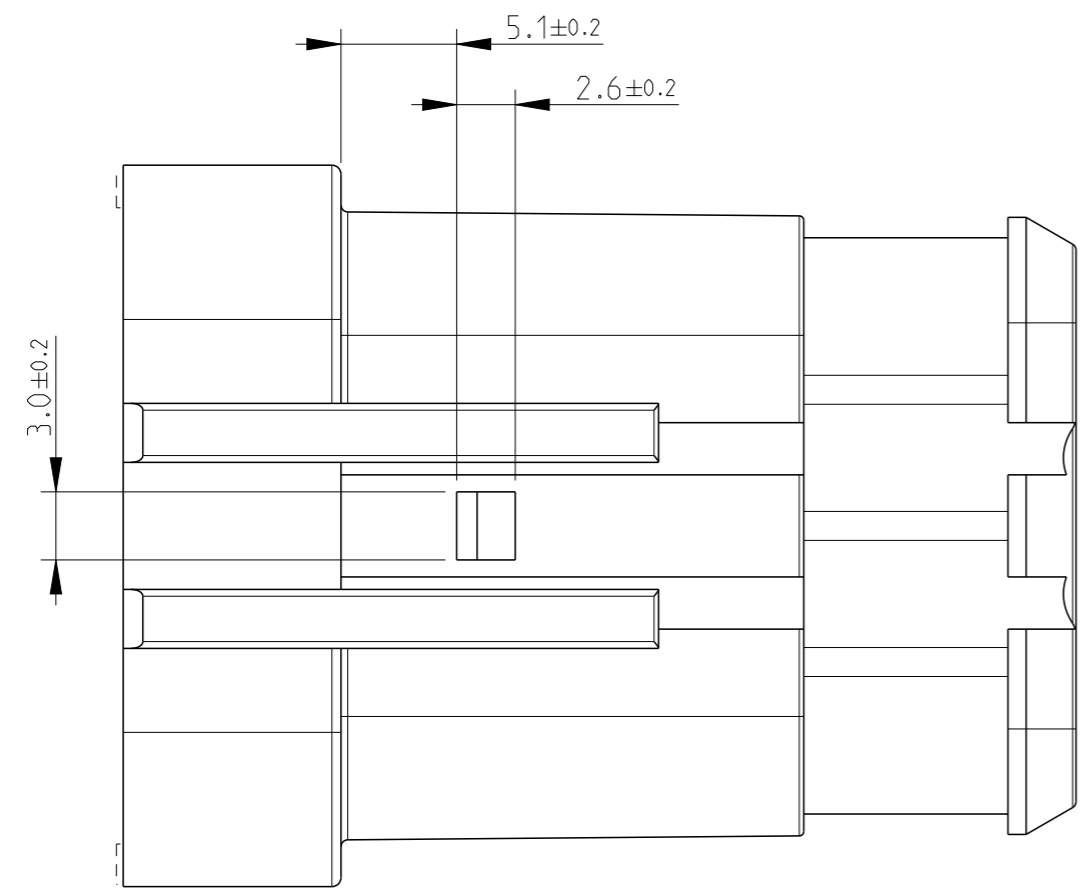
THIS DRAWING IS A CONTROLLED DOCUMENT.		DWN 02 - 1990	TE Connectivity		
DIMENSIONS: mm		CHK A.BRUNI 02 - 1990			
TOLERANCES UNLESS OTHERWISE SPECIFIED:		APVD -	NAME AMP SUPERSEAL 1,5 SERIES CONNECTORS 4 POSITIONS TAB ASS'Y		
0 PLC ±		PRODUCT SPEC 108-20090	SIZE A3		
1 PLC ±0.3		APPLICATION SPEC 412-20000	CAGE CODE -	DRAWING NO C-282106	RESTRICTED TO
2 PLC ±		WEIGHT 6.14g	SCALE 3:1 SHEET 1 OF 2 REV B4		
3 PLC ±		CUSTOMER DRAWING			
4 PLC ±					
ANGLES ±2°					
MATERIAL -					
FINISH -					
SEE TABLE					

THIS DRAWING IS UNPUBLISHED. RELEASED FOR PUBLICATION 20
 © COPYRIGHT 20 BY - ALL RIGHTS RESERVED.

REVISIONS					
P	LTR	DESCRIPTION	DATE	DWN	APVD
-	-	SEE SHEET 1	-	-	-


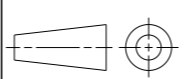


REFER SHEET 1 FOR MISSING DIMENSIONS



PRELIMINARY

4-282106-1 AS SHOWN

THIS DRAWING IS A CONTROLLED DOCUMENT.		DWN C.BERTINI 02 - 1990	 TE Connectivity		
DIMENSIONS: mm		CHK A.BRUNI 02 - 1990			
		APVD -	NAME AMP SUPERSEAL 1,5 SERIES CONNECTORS 4 POSITIONS TAB ASS'Y		
TOLERANCES UNLESS OTHERWISE SPECIFIED:		PRODUCT SPEC 108-20090	SIZE A3		
0 PLC ±-	± 0.3	APPLICATION SPEC 412-20000	CAGE CODE -	DRAWING NO C=282106	RESTRICTED TO
1 PLC ±-		WEIGHT 6.14g	SCALE 3:1 SHEET 2 OF 2 REV B4		
2 PLC ±-		FINISH -	CUSTOMER DRAWING		
3 PLC ±-		ANGLES ± 2°			
4 PLC ±-					
MATERIAL - SEE TABLE					