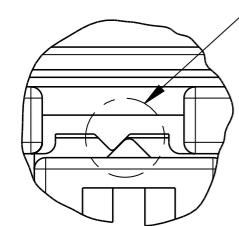
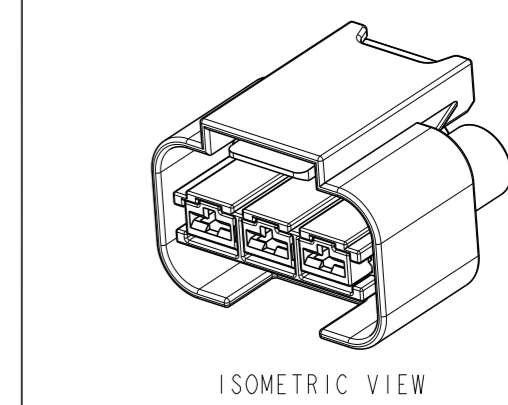
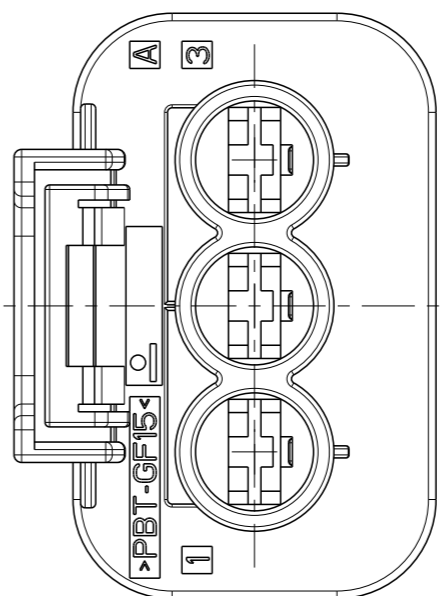
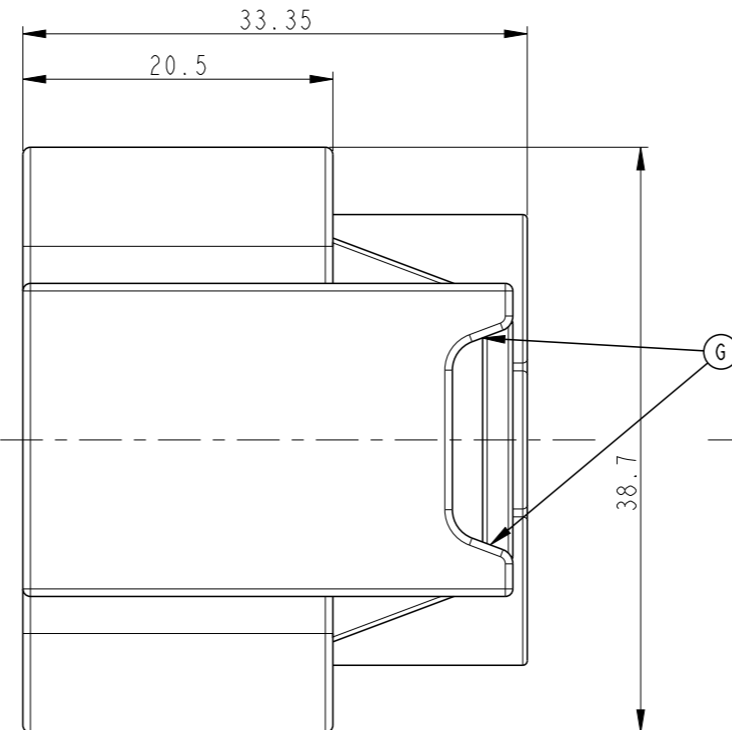
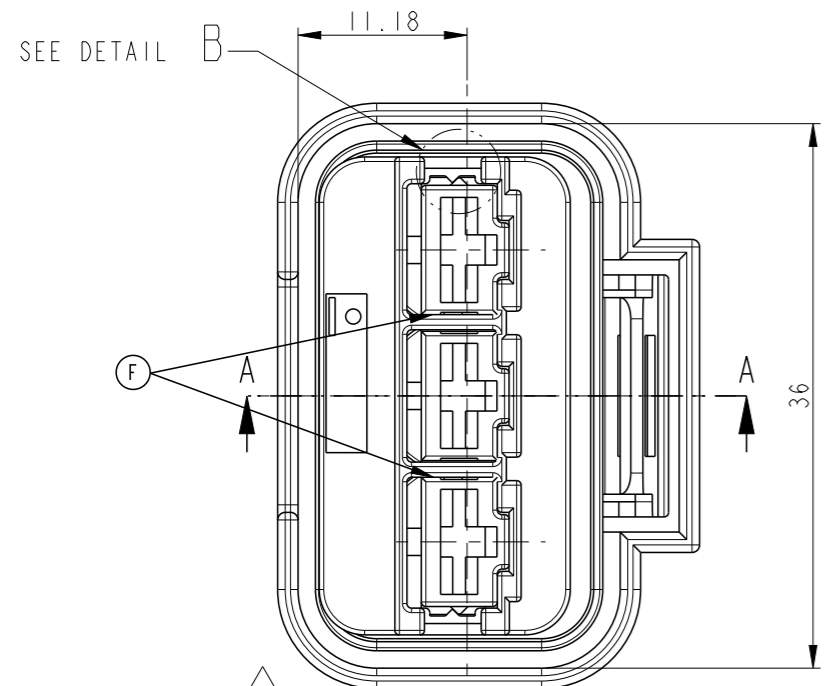
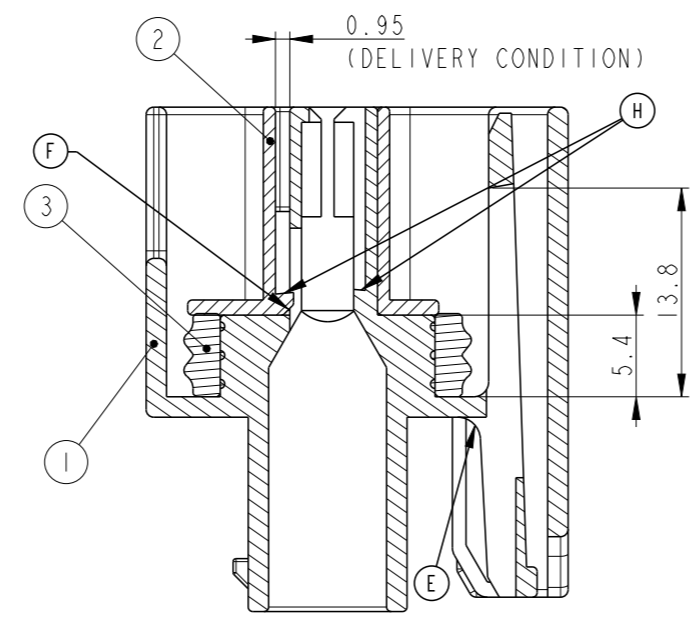
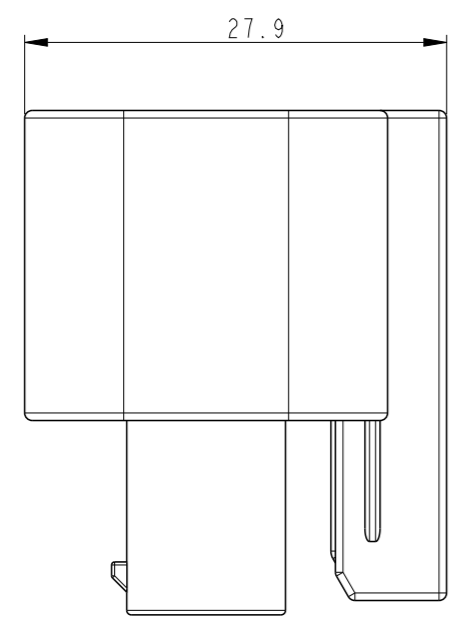


REVISIONS

P	LTR	DESCRIPTION	DATE	DWN	APVD
E		REVISED (ECR-17-012288)	23AUG2017	SJ	YJ
F		REVISED (ECR-18-010532)	25JUN2018	TY	YJ
G		REVISED (ECR-18-013276)	26NOV2018	CH	YJ
H		REVISED (ECR-21-104386)	15MAY2021	CI	YJ



DETAIL B  
SCALE 5:1



SECTION A-A

- NOTE
- CONDITION OF DELIVERY : DBL HSG IN OPEN POSITION
  - APPLIED WIRE COVER HSG P/N : X-1743274-X (CORRUGATE DIA : Ø9)
  - APPLICABLE RECEPTACLE CONTACT P/N :
- | CONTACT P/N                 | 927836  | 927835  | 928966  |
|-----------------------------|---------|---------|---------|
| WIRE SIZE(mm <sup>2</sup> ) | 0.5~1.0 | 1.0~2.5 | 2.5~4.0 |
- GENERAL TOLERANCE : ±0.3, ±3°
  - APPLICABLE WIRE SEAL P/N:

PART NO.	WIRE INSULATION DIAMETER(mm)	COLOR
963243-1	1.4~2.1	BLUE
963244-1	2.2~3.0	WHITE
963245-1	3.4~3.7	YELLOW
100132-1	CAVITY PLUG	BLACK

NO	COLOR	MATERIAL	DESCRIPTION	Q'TY
3	RED ORANGE	SILICONE	INNER SEAL FOR SPT SEALED 3P PLUG	1
2	NATURAL	PBT-GF10	DBL HSG FOR SPT SEALED 3P PLUG	1
1	GRAY	PBT-GF15	SPT SLEALED 3P PLUG HSG	1
	BLACK			-

ASS'T P/N	1743271-3	1743271-2

THIS DRAWING IS A CONTROLLED DOCUMENT.

DIMENSIONS: mm	TOLERANCES UNLESS OTHERWISE SPECIFIED: 0 PLC ± 1 PLC ± 2 PLC ± 3 PLC ± 4 PLC ± ANGLES ± FINISH ±
MATERIAL	SEE TABLE

DWN CH PARK  
 CHK YM CHOI  
 APVD JK SONG  
 PRODUCT SPEC  
 APPLICATION SPEC  
 WEIGHT  
 CUSTOMER DRAWING

**TE** TE Connectivity

NAME SPT SEALED 3P PLUG ASS'Y

SIZE	CAGE CODE	DRAWING NO	RESTRICTED TO
A3	00779	C-1743271	-

SCALE 2:1 SHEET 1 OF 1 REV H