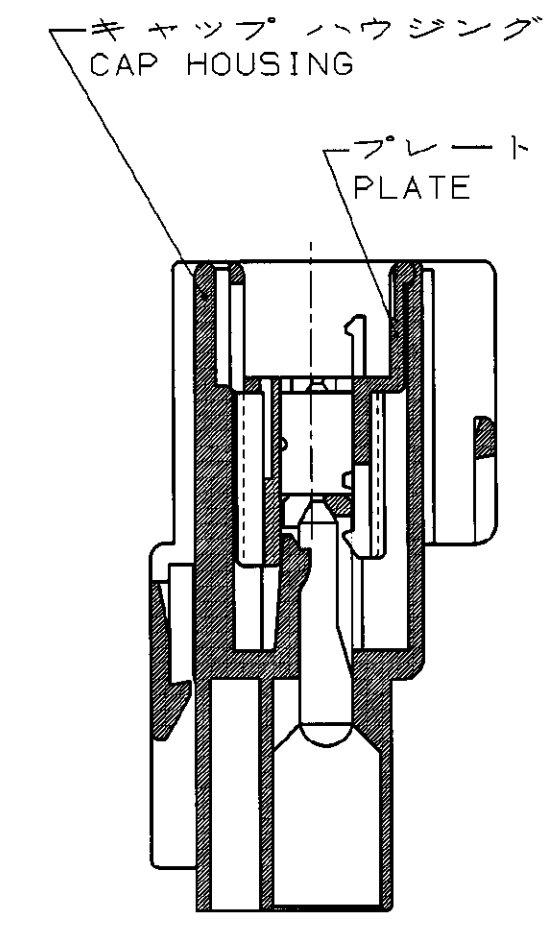
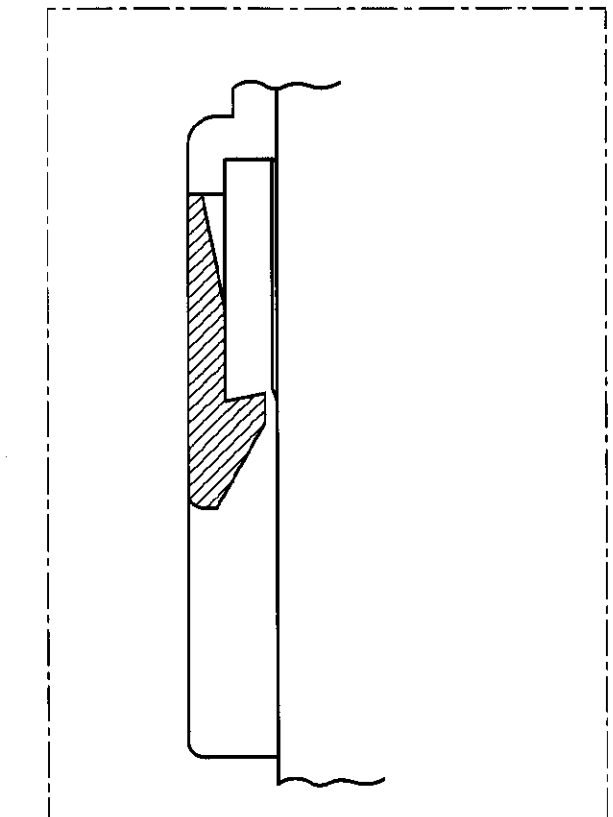
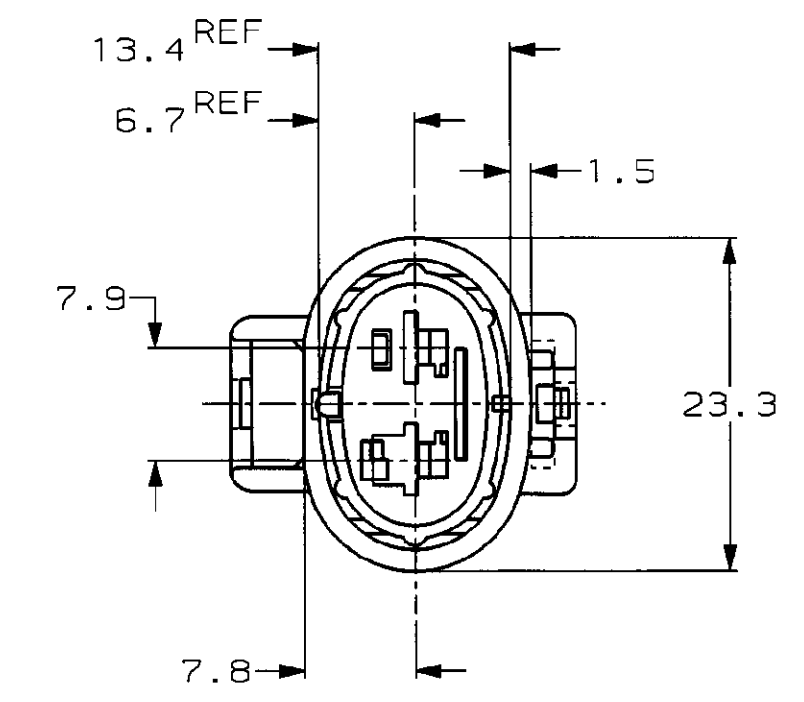
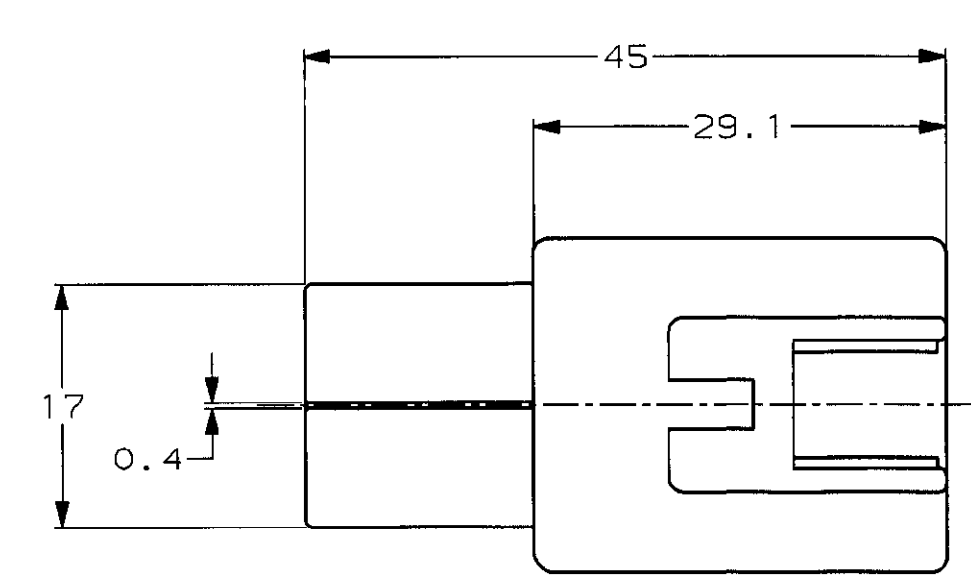
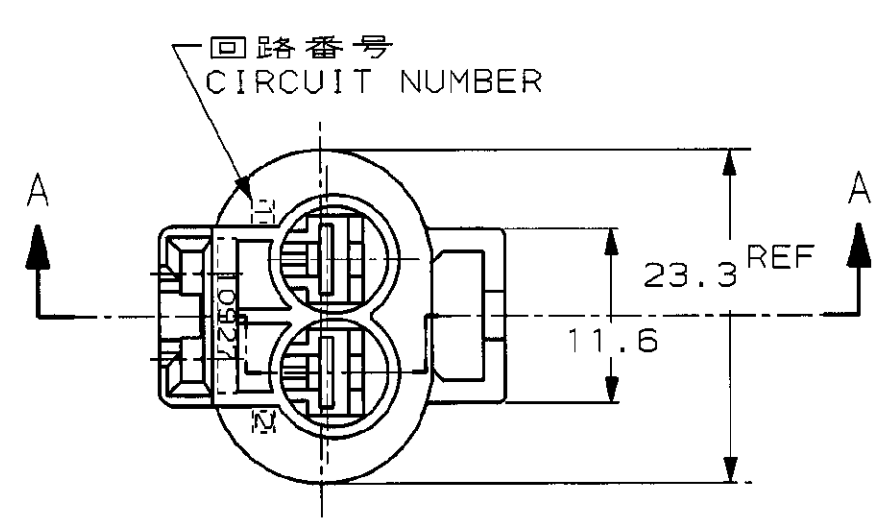
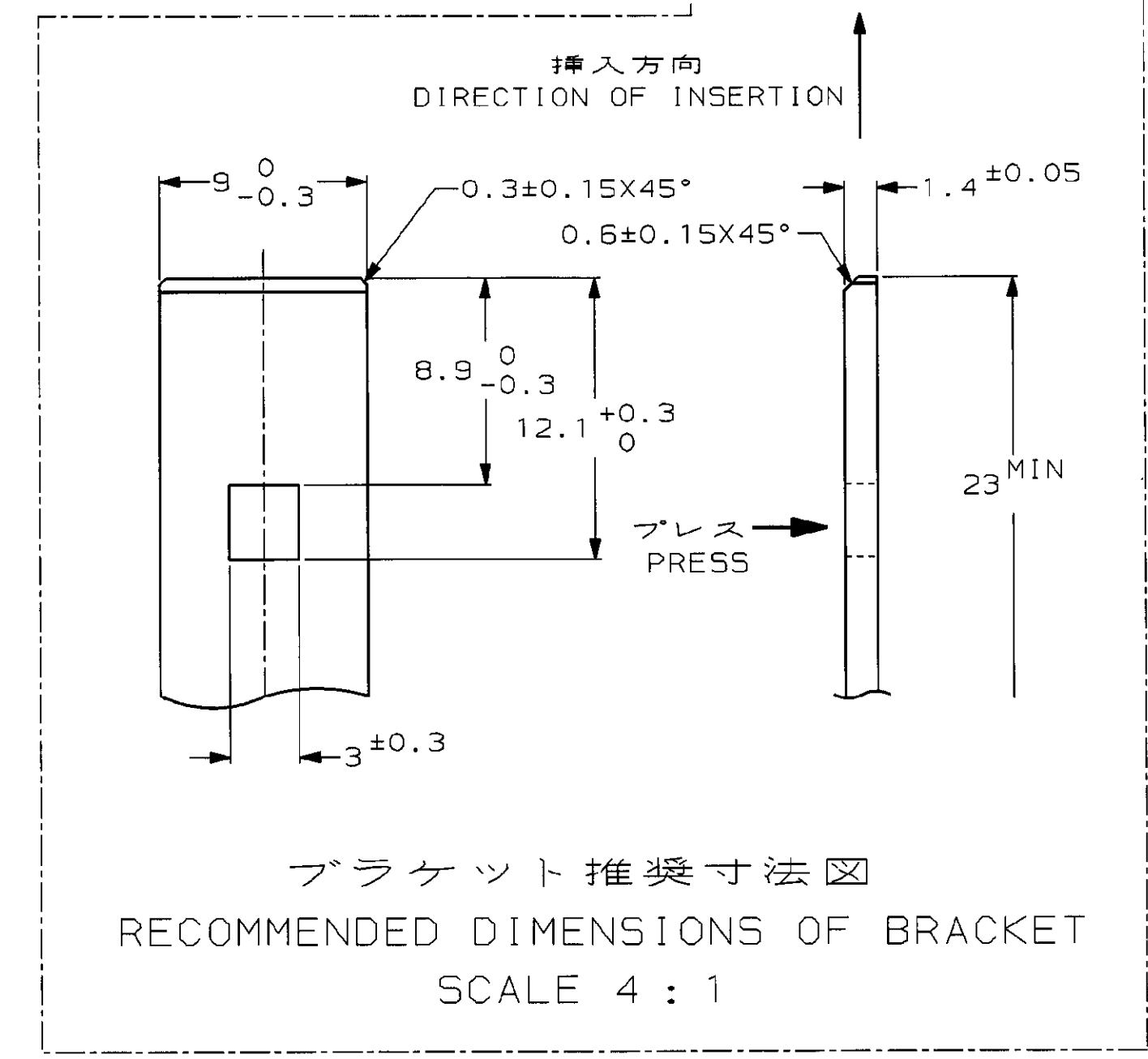
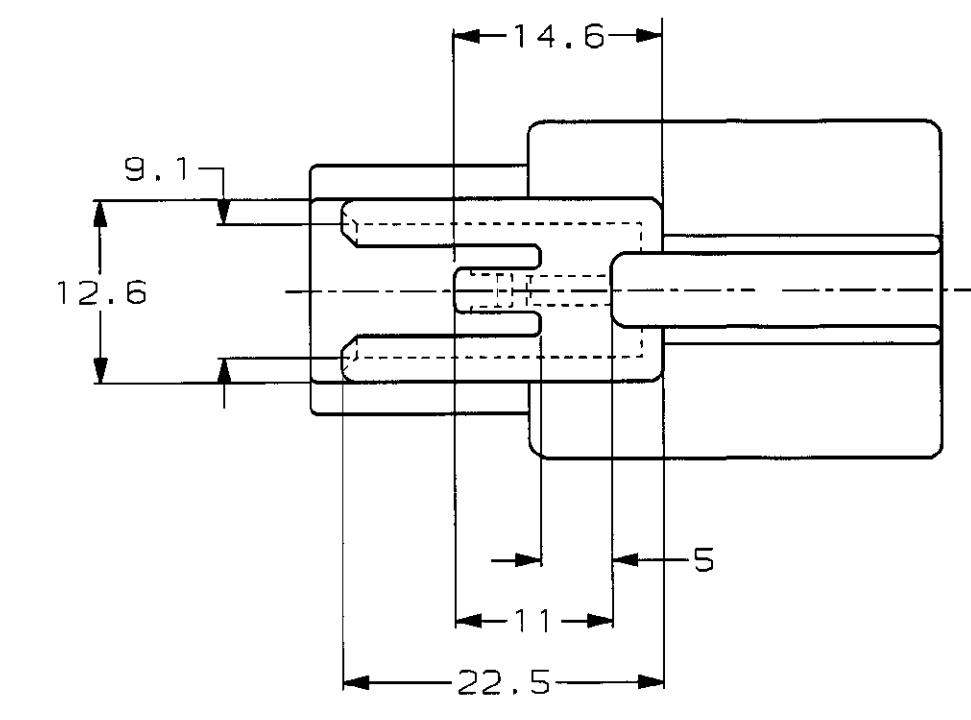
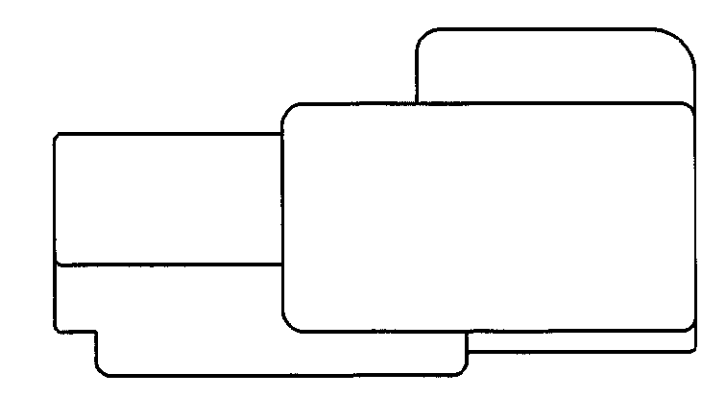


NUMBER 176143  
 METRIC  
 3RD ANGLE PROJECTION



A-A



- 1. 嵌合相手品番 : 176146
  - 2. 製品規格 : 108-5294
- 
- 1. MATING PART NUMBER : 176146
  - 2. PRODUCT SPECIFICATION : 108-5294

LIGHT GRAY	6-176143-6
DARK GRAY	176143-6
BLACK	176143-2
色 (COLOR)	項番 (P/N)

				<b>AMP</b> 株式会社 川崎 Kawasaki, Japan		<b>AMP</b> AMP (JAPAN), LTD. Tokyo, Japan	
WIRE RANGE				INSULATION DIA		NAME	
mm (AWG)				mm		.187 SERIES SEALED CONNECTOR 2Pos. CAP HOUSING ASSY	
B	変更 (REVISED)	FJ00-1278-89	TS	KB	21JUL 91	MATERIAL	PBT
A	変更 (REVISED)	J-1668	TK	MT	10/21 92	COLOR	表参照 (SEE TABLE)
O	作成 (RELEASED)	J-483	YK	KO	11/12 91	DR.	G. Kinoshita
LTR	REVISION RECORD	DR	CHK	DATE	11/12 91	APP.	S. Oshita
						GENERAL TOLERANCE	SIZE LOC NUMBER
						0<math>mm</math> 10 : ±0.2	C J C-176143
						10<math>mm</math> 30 : ±0.25	SCALE 2-1
						30<math>mm</math> 100 : ±0.3	REV. B
						ANGLES : ±3°	SHEET 1 OF 1

CUSTOMER DRAWING

DIMENSIONS IN MILLIMETERS. DO NOT SCALE PRINT