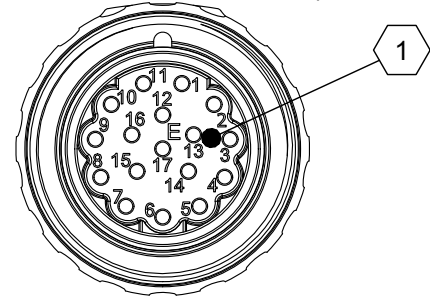
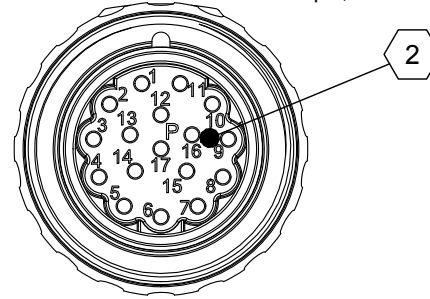


17-pin, Code 0°, E-type



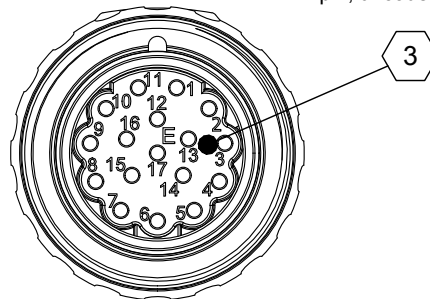
1

17-pin, Code 0°, P-type



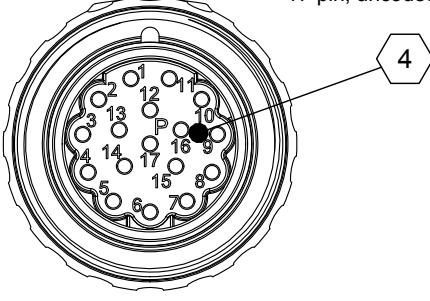
2

17-pin, uncoded, E-type



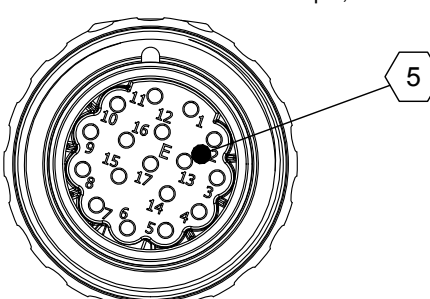
3

17-pin, uncoded, P-type



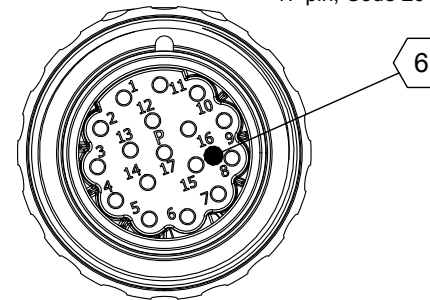
4

17-pin, Code 20°, E-type

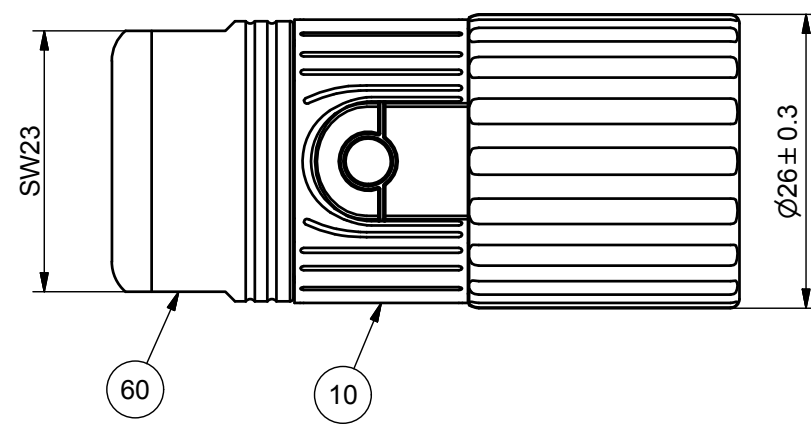
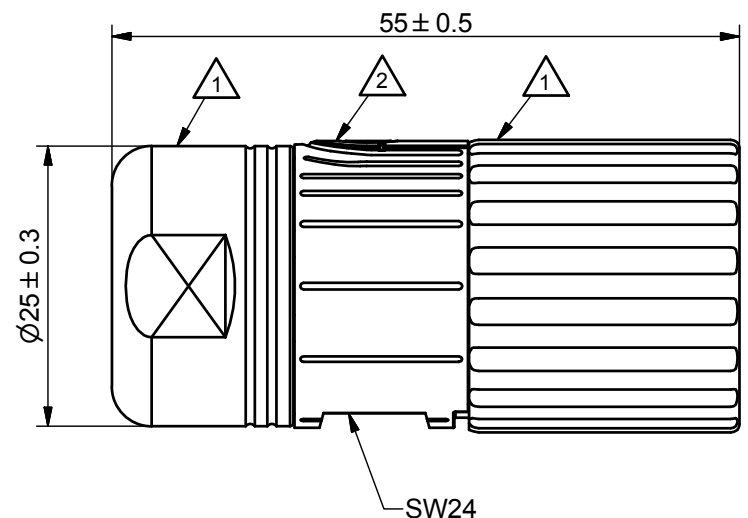


5

17-pin, Code 20°, P-type



6



note: all part numbers are for connectors without contacts!
For connectors including contacts replace code "N 00"
with code 7, see description on page 2.

- surface
- ASD: black chromated
 - 1 = NiCr b 6-20µm
 - 2 = NiCr b 6-20µm
 - ASA: nickel plated
 - 1 = fCu 3-5µm Ni
 - 2 = Cu 6-8µm Ni 4-6µm

assembly guidelines on www.intercontec.com/download/montageanleitungen

ITEM	QTY	discription	material	surface/color
60	1	623 clamp ring	brass	1
50	1	623 cable clamp (inside)	PA 66/ 6 FKM	black black/green
40	1	623 shielding (inside)	brass	1
30		623 distance sleeve (inside)	PBT	black
20	1	623 insulation insert (inside)	PA 66	white
10	1	623 plug housing	zinc diecast brass	2 1

7 contact code

N 00 : without contacts

17-pin, Code 0°, E-type, lamella clamping			17-pin, Code 0°, E-type, crown clamping		
TE part number	IC reference number	clamping range	TE part number	IC reference number	clamping range
ASA015N00090235000	ASTA015NN00090235000	3.5 mm to 5.6 mm	ASA015N00380235000	ASTA015NN00380235000	3.5 mm to 5.6 mm
ASA015N00600235000	ASTA015NN00600235000	4.5 mm to 8.5 mm	ASA015N00390235000	ASTA015NN00390235000	4.5 mm to 8.5 mm
ASA015N00610235000	ASTA015NN00610235000	9.0 mm to 13.2 mm	ASA015N00400235000	ASTA015NN00400235000	9.0 mm to 13.2 mm
ASA015N00620235000	ASTA015NN00620235000	6.0 mm to 10.0 mm	ASA015N00410235000	ASTA015NN00410235000	6.0 mm to 10.0 mm
			ASA015N00730235000	ASTA015NN00730235000	9.0 mm to 14.3 mm

17-pin, Code 0°, P-type, lamella clamping			17-pin, Code 0°, P-type, crown clamping		
TE part number	IC reference number	clamping range	TE part number	IC reference number	clamping range
ASA014N00090235000	ASTA014NN00090235000	3.5 mm to 5.6 mm	ASA014N00380235000	ASTA014NN00380235000	3.5 mm to 5.6 mm
ASA014N00600235000	ASTA014NN00600235000	4.5 mm to 8.5 mm	ASA014N00390235000	ASTA014NN00390235000	4.5 mm to 8.5 mm
ASA014N00610235000	ASTA014NN00610235000	9.0 mm to 13.2 mm	ASA014N00400235000	ASTA014NN00400235000	9.0 mm to 13.2 mm
ASA014N00620235000	ASTA014NN00620235000	6.0 mm to 10.0 mm	ASA014N00410235000	ASTA014NN00410235000	6.0 mm to 10.0 mm
			ASA014N00730235000	ASTA014NN00730235000	9.0 mm to 14.3 mm

17-pin, uncoded, E-type, lamella clamping			17-pin, uncoded, E-type, crown clamping		
TE part number	IC reference number	clamping range	TE part number	IC reference number	clamping range
ASA034N00090235000	ASTA034NN00090235000	3.5 mm to 5.6 mm	ASA034N00380235000	ASTA034NN00380235000	3.5 mm to 5.6 mm
ASA034N00600235000	ASTA034NN00600235000	4.5 mm to 8.5 mm	ASA034N00390235000	ASTA034NN00390235000	4.5 mm to 8.5 mm
ASA034N00610235000	ASTA034NN00610235000	9.0 mm to 13.2 mm	ASA034N00400235000	ASTA034NN00400235000	9.0 mm to 13.2 mm
ASA034N00620235000	ASTA034NN00620235000	6.0 mm to 10.0 mm	ASA034N00410235000	ASTA034NN00410235000	6.0 mm to 10.0 mm
			ASA034N00730235000	ASTA034NN00730235000	9.0 mm to 14.3 mm

17-pin, uncoded, P-type, lamella clamping			17-pin, uncoded, P-type, crown clamping		
TE part number	IC reference number	clamping range	TE part number	IC reference number	clamping range
ASA035N00090235000	ASTA035NN00090235000	3.5 mm to 5.6 mm	ASA035N00380235000	ASTA035NN00380235000	3.5 mm to 5.6 mm
ASA035N00600235000	ASTA035NN00600235000	4.5 mm to 8.5 mm	ASA035N00390235000	ASTA035NN00390235000	4.5 mm to 8.5 mm
ASA035N00610235000	ASTA035NN00610235000	9.0 mm to 13.2 mm	ASA035N00400235000	ASTA035NN00400235000	9.0 mm to 13.2 mm
ASA035N00620235000	ASTA035NN00620235000	6.0 mm to 10.0 mm	ASA035N00410235000	ASTA035NN00410235000	6.0 mm to 10.0 mm
			ASA035N00730235000	ASTA035NN00730235000	9.0 mm to 14.3 mm

17-pin, Code 20°, E-type, lamella clamping			17-pin, Code 20°, E-type, crown clamping		
TE part number	IC reference number	clamping range	TE part number	IC reference number	clamping range
ASA074N00090235000	ASTA074NN00090235000	3.5 mm to 5.6 mm	ASA074N00380235000	ASTA074NN00380235000	3.5 mm to 5.6 mm
ASA074N00600235000	ASTA074NN00600235000	4.5 mm to 8.5 mm	ASA074N00390235000	ASTA074NN00390235000	4.5 mm to 8.5 mm
ASA074N00610235000	ASTA074NN00610235000	9.0 mm to 13.2 mm	ASA074N00400235000	ASTA074NN00400235000	9.0 mm to 13.2 mm
ASA074N00620235000	ASTA074NN00620235000	6.0 mm to 10.0 mm	ASA074N00410235000	ASTA074NN00410235000	6.0 mm to 10.0 mm
			ASA074N00730235000	ASTA074NN00730235000	9.0 mm to 14.3 mm

17-pin, Code 20°, P-type, lamella clamping			17-pin, Code 20°, P-type, crown clamping		
TE part number	IC reference number	clamping range	TE part number	IC reference number	clamping range
ASA032N00090235000	ASTA032NN00090235000	3.5 mm to 5.6 mm	ASA032N00380235000	ASTA032NN00380235000	3.5 mm to 5.6 mm
ASA032N00600235000	ASTA032NN00600235000	4.5 mm to 8.5 mm	ASA032N00390235000	ASTA032NN00390235000	4.5 mm to 8.5 mm
ASA032N00610235000	ASTA032NN00610235000	9.0 mm to 13.2 mm	ASA032N00400235000	ASTA032NN00400235000	9.0 mm to 13.2 mm
ASA032N00620235000	ASTA032NN00620235000	6.0 mm to 10.0 mm	ASA032N00410235000	ASTA032NN00410235000	6.0 mm to 10.0 mm
			ASA032N00730235000	ASTA032NN00730235000	9.0 mm to 14.3 mm

Weitergabe sowie Vervielfältigung dieser Unterlage, Verwertung und Mitteilung ihres Inhalts sind nicht gestattet, soweit nicht ausdrücklich zugestanden. Zuwiderhandlungen verpflichten zu Schadenersatz. Alle Rechte im Fall der Patenterteilung oder GM - Eintragung vorbehalten.

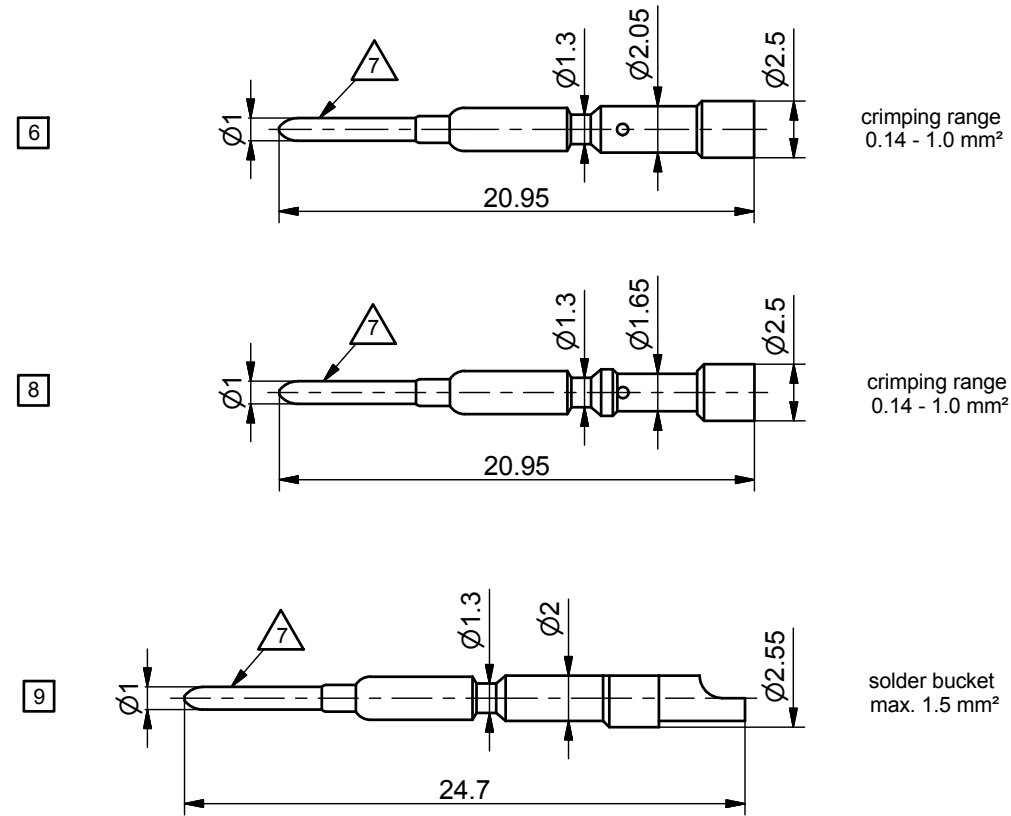
Alle Maße ohne Einheiten in mm
all dimensions without units in mm

Transferand duplication of this base, utilization and communication of the contents are not permitted, until expressly conceded. Violation will result in a claim for damages. All rights reserved in case of a patent or utility model registration.

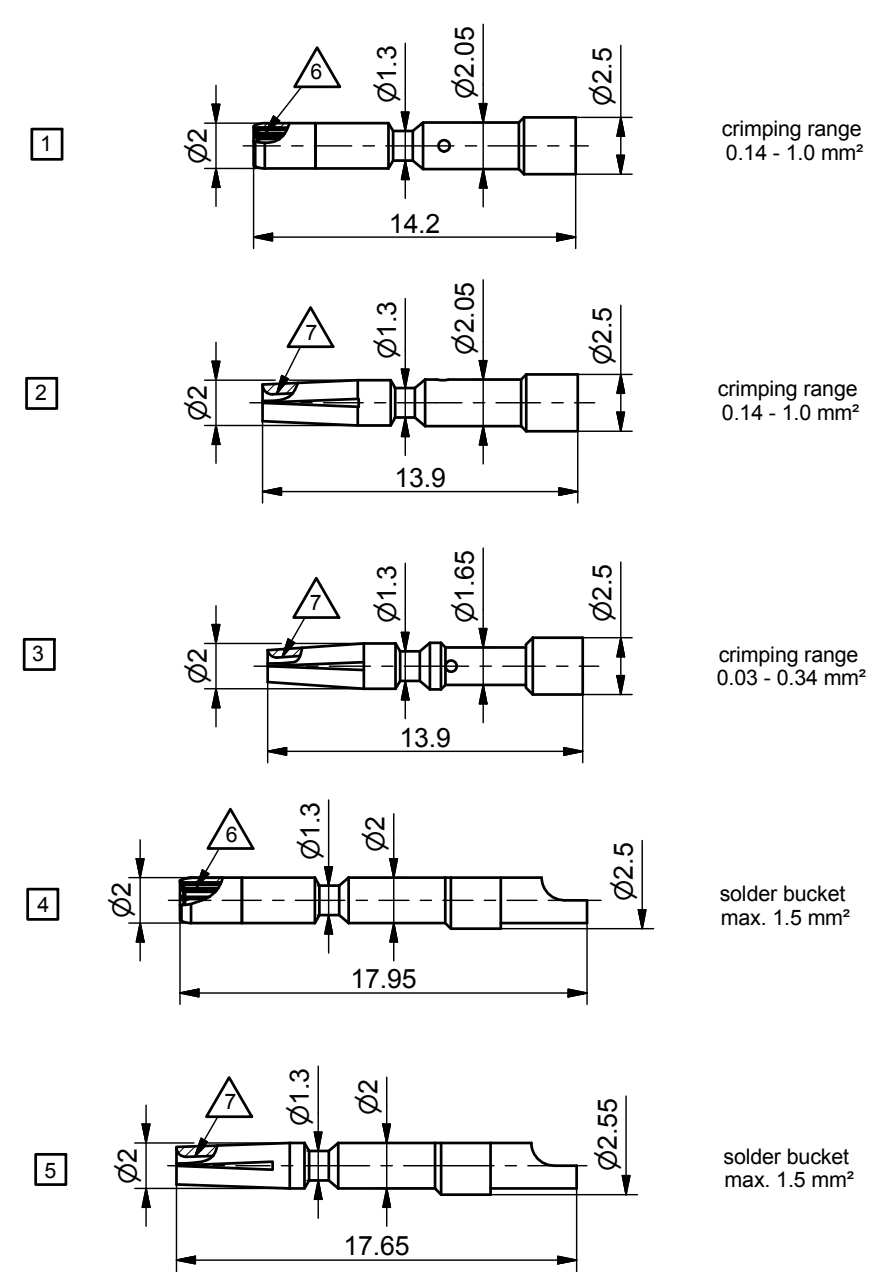
Maßstab / scale 1,5:1
Zeichnungsnummer / drawing number 144742
Kundenzeichnung / customer drawing

A	002	0002	27.06.17	Schwingh	27.06.2017	Schellenberger	Benennung / description 623 Stecker, 17-polig 623 plug, 17-pin
Rev.	Index		Datum	Name	Datum	Name	
			Anderung	Bearbeitet		Geprüft	Teilenummer / part number see list
							Gewicht / weight
21.06.2017	Schwingh	21.06.2017	Schellenberger				Z-Art MZ
Datum	Name	Datum	Name				Bl. 1 von 2
Bearbeitet			Geprüft			doc.number Y7-0581-000-000	

signal contact type: $\varnothing 1$ mm, pin scale 3 : 1



signal contact type: 1 mm, socket scale 3 : 1



* QTY inclusive spare parts

surface

$\triangle 6$ = fl. Cu Ni1.27 Au0.2

$\triangle 7$ = fl. Cu Ni2 Au0.2

$\triangle 7$ contact code

contact code for pin			
TE contact code	IC ref. code	signal contact type	QTY
N 00	NN 00	-	0
M 01	MR 01	6	6
M 04	MR 04	6	17
M 13	MR 13	6	15
M 83	MR 83	8	17
S 06	MS 06	9	12

contact code for socket			
TE contact code	IC ref. code	signal contact type	QTY
N 00	NN 00	-	0
F 01	FR 01	1	17
F 03	FR 03	1	16
F 11	FR 11	2	17
F 13	FR 13	1	15
F 19	FR 19	1	14
F 26	FR 26	1	12
F 83	FR 83	3	17
G 04	FS 04	4	17
G 13	FS 13	5	17
G 20	FS 20	4	20*

Weitergabe sowie Vervielfältigung dieser Unterlage, Verwertung und Mitteilung ihres Inhalts sind nicht gestattet, soweit nicht ausdrücklich zugestanden. Zuwiderhandlungen verpflichten zu Schadenersatz. Alle Rechte im Fall der Patenterteilung oder GM - Eintragung vorbehalten.

Transferand duplication of this base, utilization and communication of the contents are not permitted, until expressly conceded. Violation will result in a claim for damages. All rights reserved in case of a patent or utility model registration.

A	002	0002	27.06.17	Schwingh	27.06.2017	Schellenberger
Rev.	Index		Datum	Name	Datum	Name
		Anderung		Bearbeitet		Geprüft
TE intercontec products						
21.06.2017	Schwingh	21.06.2017	Schellenberger			
Datum	Name	Datum	Name			
				Geprüft		

Alle Maße ohne Einheiten in mm
all dimensions without units in mm

Maßstab / scale 3:1
Zeichnungsnummer / drawing number 144742

Kundenzeichnung / customer drawing

Benennung / description
623 Stecker, 17-polig
623 plug, 17-pin

Teilenummer / part number
see list

Gewicht / weight

Z-Art MZ Bl. 2 von 2 doc.number Y7-0581-000-000