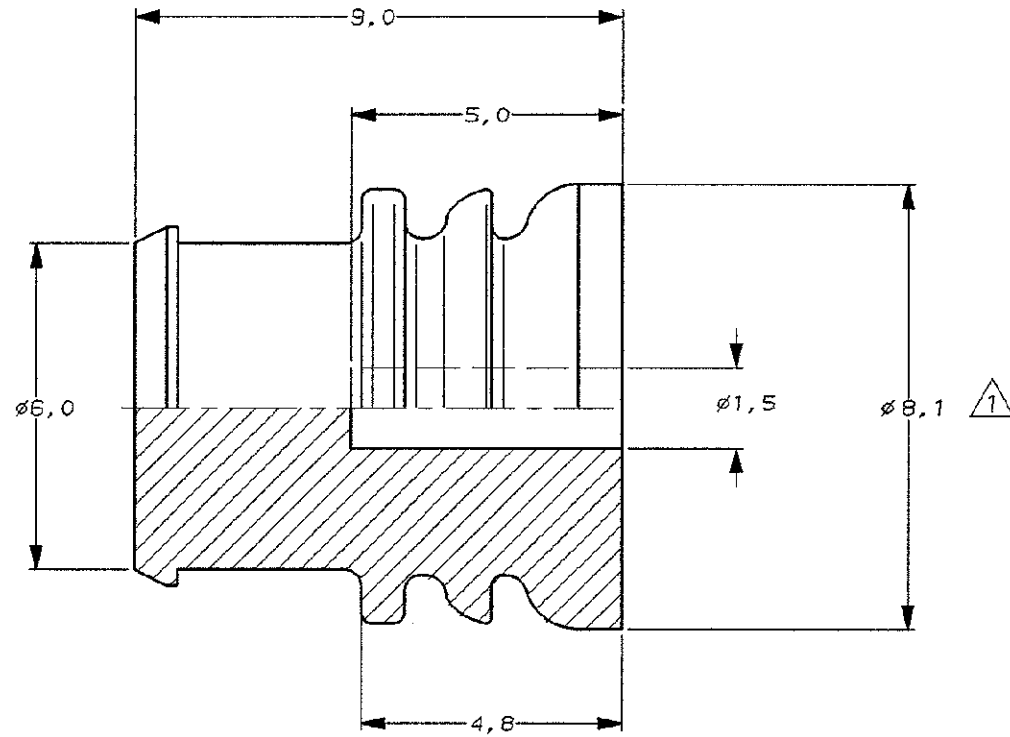
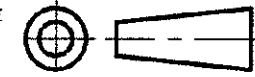


DO NOT SCALE
DIMENSIONS IN mm

METRIC

THIRD ANGLE
PROJECTION



NOTES

1 FOR CAVITY $\phi 7,2$ mm.

2 MATERIAL: SILICON RUBBER

SHORE: A 50°±5

SURFACE: DRY WITH TALCUM POWDER

COLOR: BLACK

-1 AS SHOWN

					FINISH	MATERIAL	PARTNUMBER
-	-	-	-	-	-	-	CUSTOMER DRAWING FOR REFERENCE ONLY WILL NOT BE UPDATED
-	-	-	-	-	-	-	
-	-	-	-	-	-	-	THIS DRAWING IS UNPUBLISHED RELEASED FOR PUBLICATION _____, 19__
-	-	-	-	-	-	-	TE TE Connectivity
-	-	-	-	-	-	-	NAME CAVITY PLUG
A1	REVISED PER ECO-11-005294	RK	HMR	13APR11			
LTR.	REVISION RECORD	DR.	CHK.	DATE			
DR.:	-	CHK.:	-	APP.:	-	DWG. No.	100132
DATE:	-	DATE:	-	DATE:	-	REV. LTR.	A1
						SHEET	1 OF 1
							A3