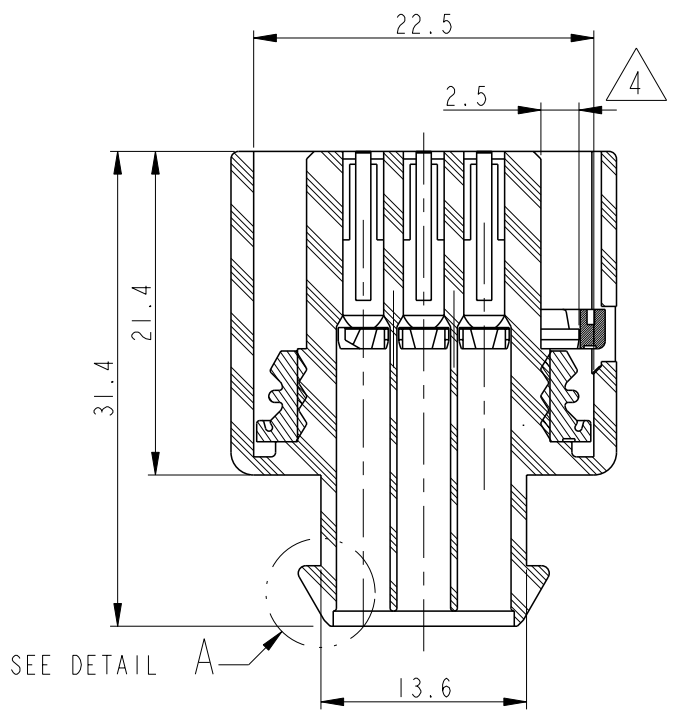
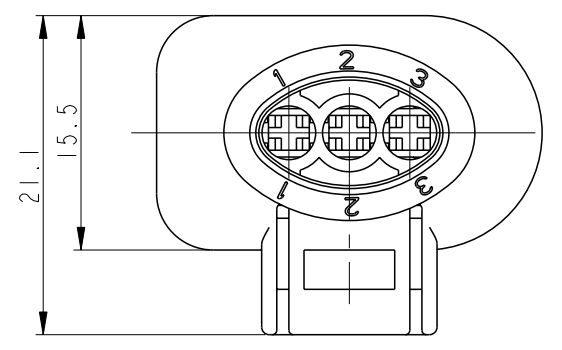
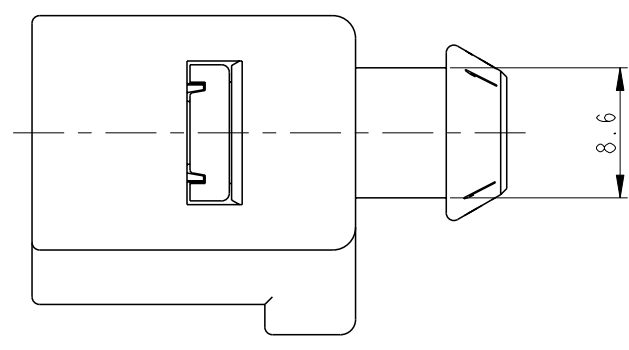
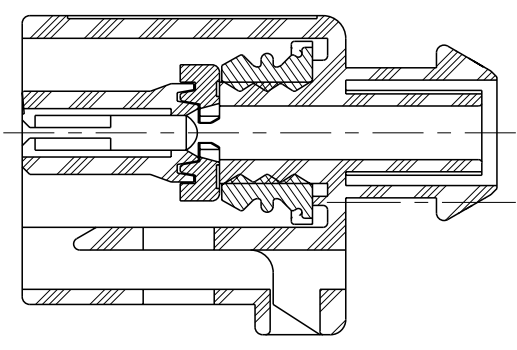
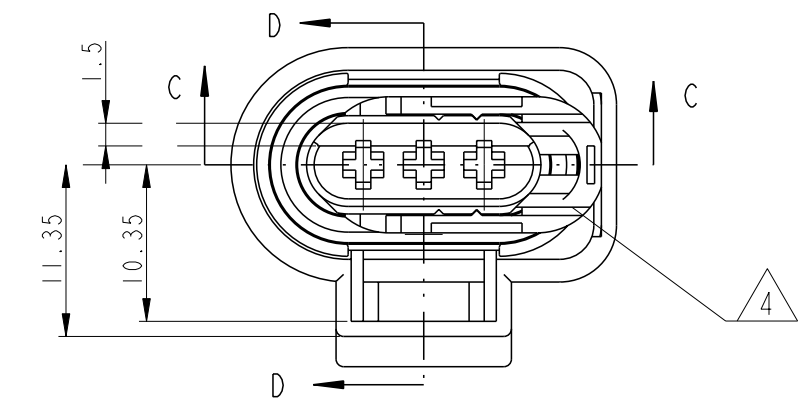
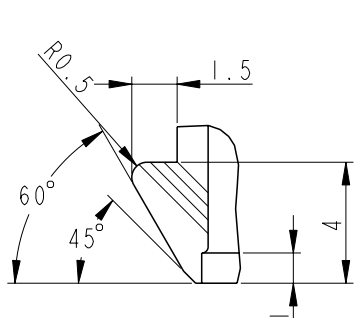


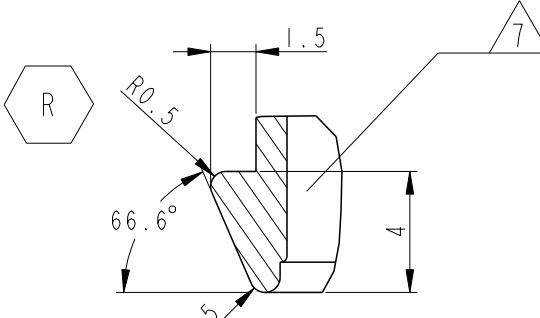
LOC		DIST		REVISIONS			
P	LTR	DESCRIPTION	DATE	DWN	APVD		
	O	NEW RELEASED	20APR2006	S.X	K.O		
	R	CHANGE FEATURE AND MARK ECR-16-012797	23SEP2016	C.N	I.Y		



SECTION D-D



DETAIL A  
SCALE 4:1



DETAIL A  
SCALE 4:1

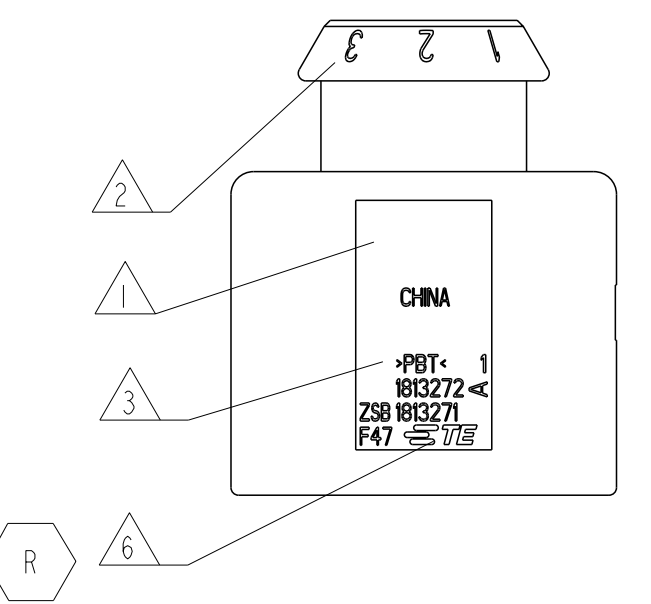
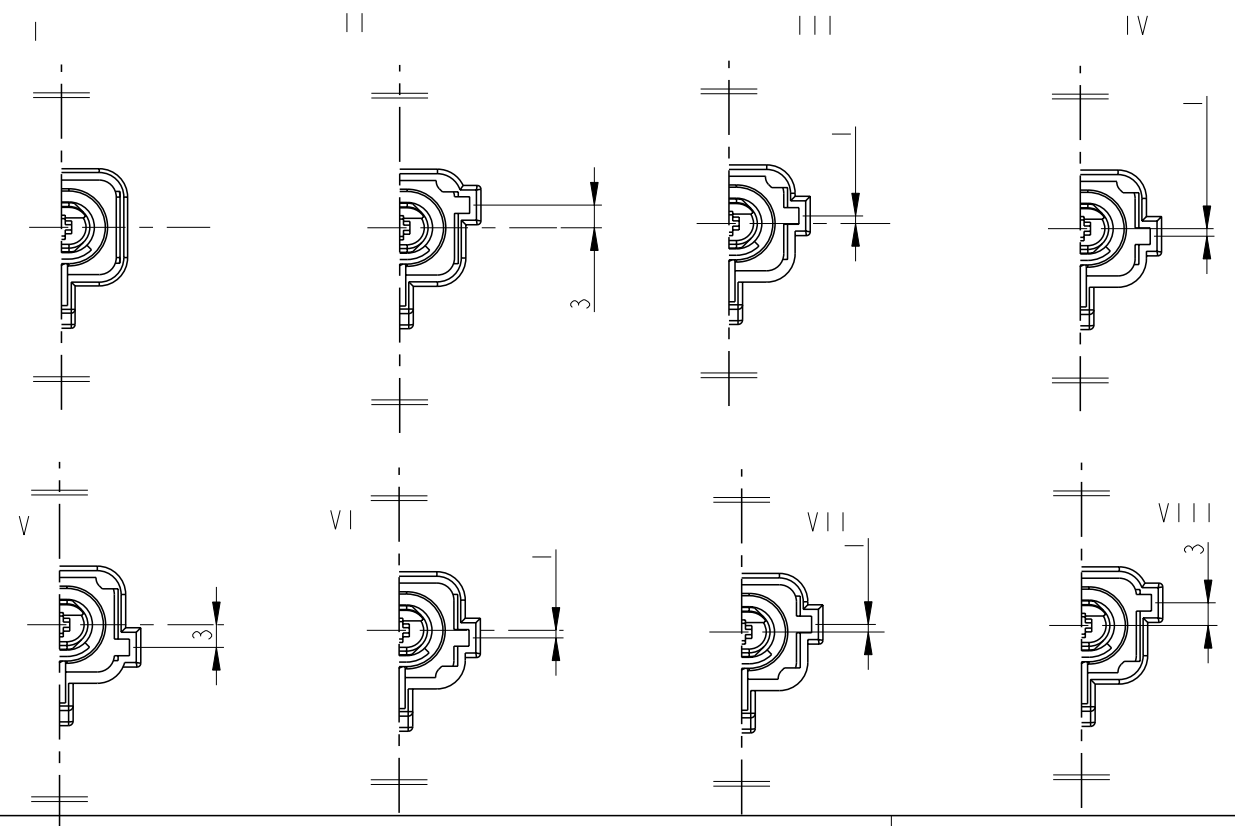
NOTES

- 1 AREA EXCHNGABLE
- 2 CONTACT CAVITY NUMBER: CHARACTERS 2.5 RECEDE 0.3
- 3 MATERIAL MARKING ACC. TO VDA 260
- 4 SHOWN AS SUPPLIED: RETAINER IN PRE-LOCKED POSITION.

5 BULK PACKAGED

- 6 TE LOGO DEVIATION FOR OLD MOLD
- 7 NEW SHAPE APPLIED FOE NEW MOLD AND MOLD REPLACEMENT

CODINGS



CODING	ASSY NO	MATERIAL	COLOR FINISH	DESCRIPTION	Q'TY	ITEM NO
V III	1-1813271-0	MVQ	ORANGE	SEAL RING, 3 POSN	I	3
		PBT GF10	VIOLET	PLUG DBL PL, 3 POSN	I	2
V I	1813271-9	PBT	GREY	PLUG HSG, 3 POSN	I	1
		MVQ	ORANGE	SEAL RING, 3 POSN	I	3
I V	1813271-8	PBT GF10	VIOLET	PLUG DBL PL, 3 POSN	I	2
		PBT	WHITE	PLUG HSG, 3 POSN	I	1
I V	1813271-8	MVQ	ORANGE	SEAL RING, 3 POSN	I	3
		PBT GF10	VIOLET	PLUG DBL PL, 3 POSN	I	2
III	1813271-7	PBT	ORANGE	PLUG HSG, 3 POSN	I	1
		MVQ	ORANGE	SEAL RING, 3 POSN	I	3
III	1813271-6	PBT GF10	VIOLET	PLUG DBL PL, 3 POSN	I	2
		PBT	WHITE	PLUG HSG, 3 POSN	I	1
III	1813271-6	MVQ	ORANGE	SEAL RING, 3 POSN	I	3
		PBT GF10	VIOLET	PLUG DBL PL, 3 POSN	I	2
III	1813271-5	PBT	GREEN	PLUG HSG, 3 POSN	I	1
		MVQ	ORANGE	SEAL RING, 3 POSN	I	3
III	1813271-5	PBT GF10	RED	PLUG DBL PL, 3 POSN	I	2
		PBT	BLACK	PLUG HSG, 3 POSN	I	1
II	1813271-4	MVQ	ORANGE	SEAL RING, 3 POSN	I	3
		PBT GF10	VIOLET	PLUG DBL PL, 3 POSN	I	2
II	1813271-4	PBT	DARK BLUE	PLUG HSG, 3 POSN	I	1
		MVQ	ORANGE	SEAL RING, 3 POSN	I	3
II	1813271-3	PBT GF10	VIOLET	PLUG DBL PL, 3 POSN	I	2
		PBT	BROWN	PLUG HSG, 3 POSN	I	1
I	1813271-2	MVQ	ORANGE	SEAL RING, 3 POSN	I	3
		PBT GF10	RED	PLUG DBL PL, 3 POSN	I	2
I	1813271-2	PBT	BLACK	PLUG HSG, 3 POSN	I	1
		MVQ	ORANGE	SEAL RING, 3 POSN	I	3
I	1813271-1	PBT GF10	VIOLET	PLUG DBL PL, 3 POSN	I	2
		PBT	BLACK	PLUG HSG, 3 POSN	I	1

THIS DRAWING IS A CONTROLLED DOCUMENT FOR TYCO ELECTRONICS CORPORATION. IT IS SUBJECT TO CHANGE AND THE CONTROLLING ENGINEERING ORGANIZATION SHOULD BE CONTACTED FOR THE LATEST REVISION.

DWN	S. XUE	20APR2006
CHK	R. ZHOU	20APR2006
APVD	K. ODA	20APR2006

PRODUCT SPEC: 108-18179-1  
 APPLICATION SPEC: N/A  
 MATERIAL: S. TAB  
 WEIGHT: 6.21g  
 CUSTOMER DRAWING

**tyco Electronics** Tyco Electronics AMP  
Shanghai, China

NAME: PLUG HOUSING ASSEMBLY, 3 POSITION  
RADIAL SEALED MICRO TIMER II

SIZE: A2 CAGE CODE: 00779 DRAWING NO: C-1813271 RESTRICTED TO: -

SCALE: 2:1 SHEET 1 OF 1 REV R