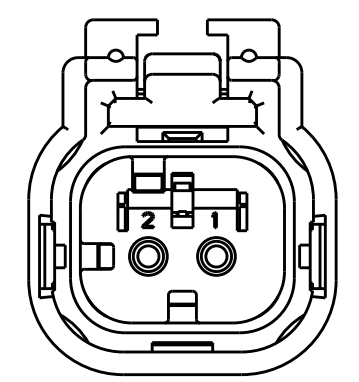
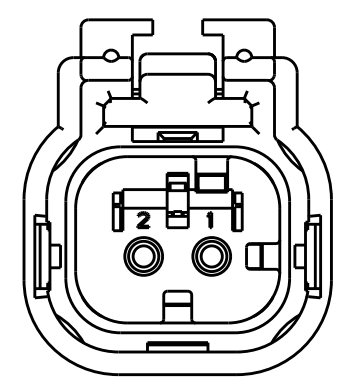


THIS DRAWING IS UNPUBLISHED. RELEASED FOR PUBLICATION 20
 © COPYRIGHT 20 BY - ALL RIGHTS RESERVED.

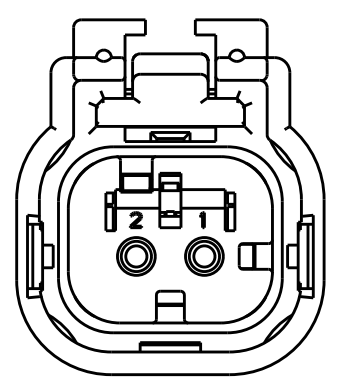
REVISIONS				
P	LTR	DESCRIPTION	DATE	APVD
G		REVISED PER ECO-13-019067	05DEC2013	DR RB



776427-2
SCALE 2:1
KEY B

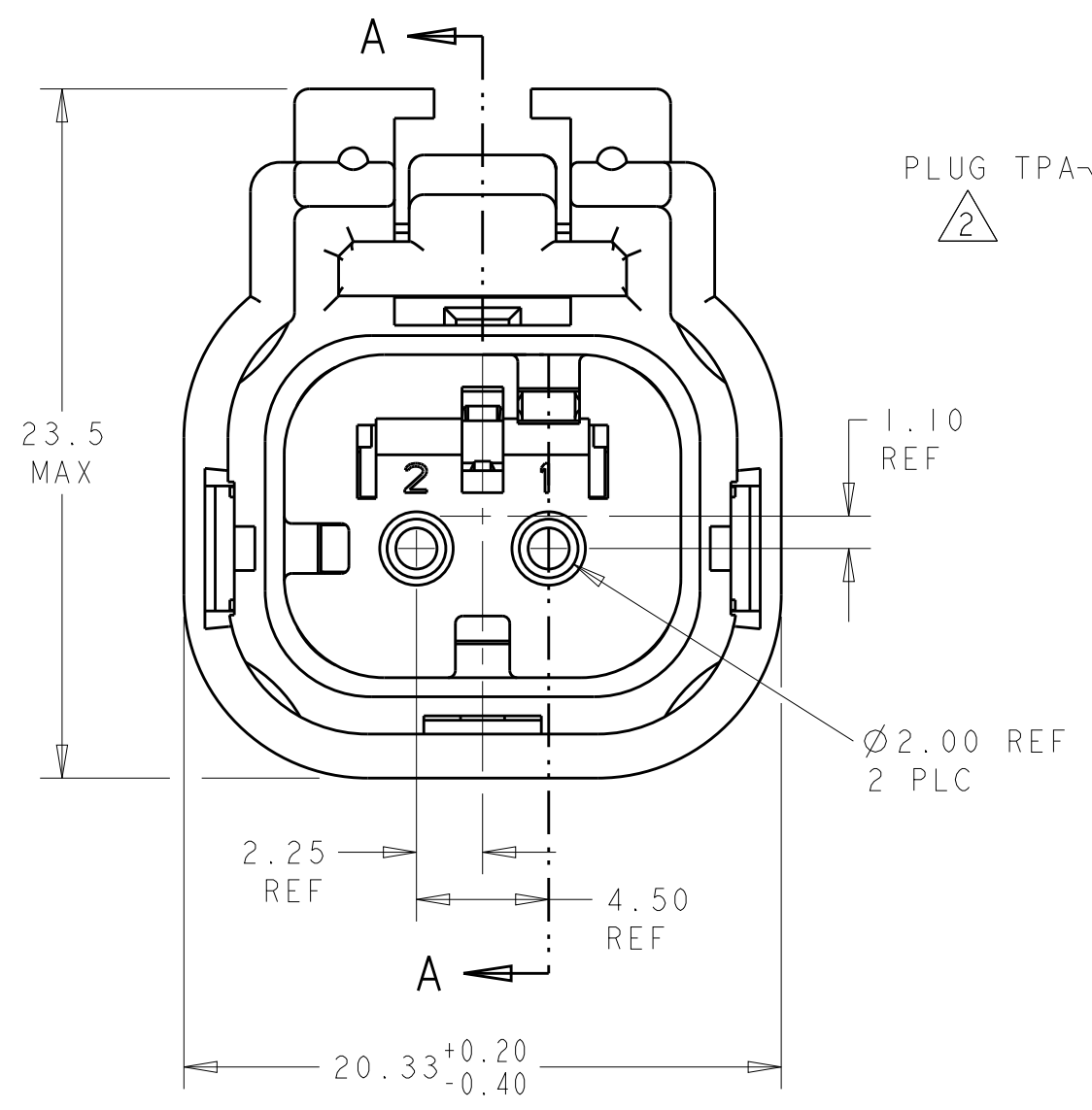


776427-3
SCALE 2:1
KEY C

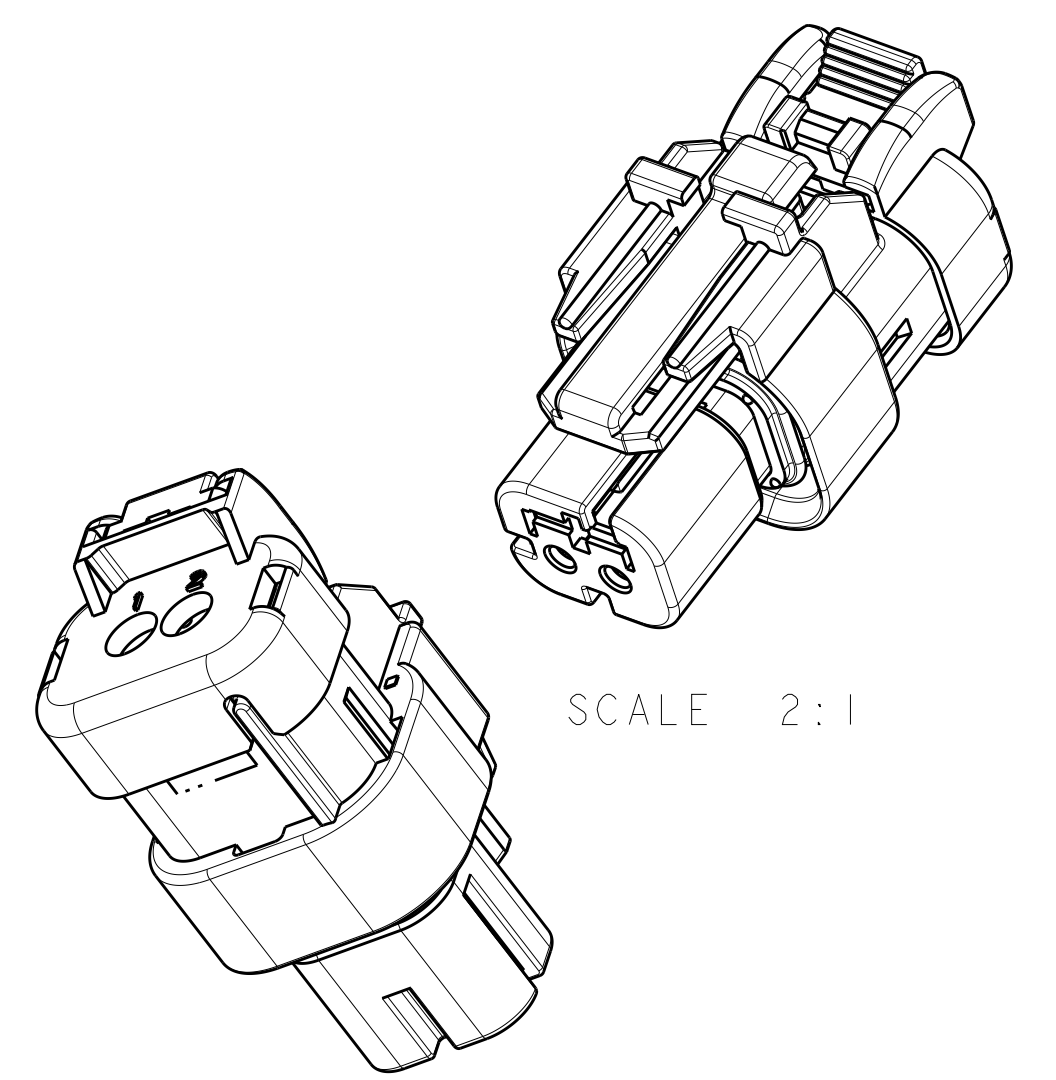
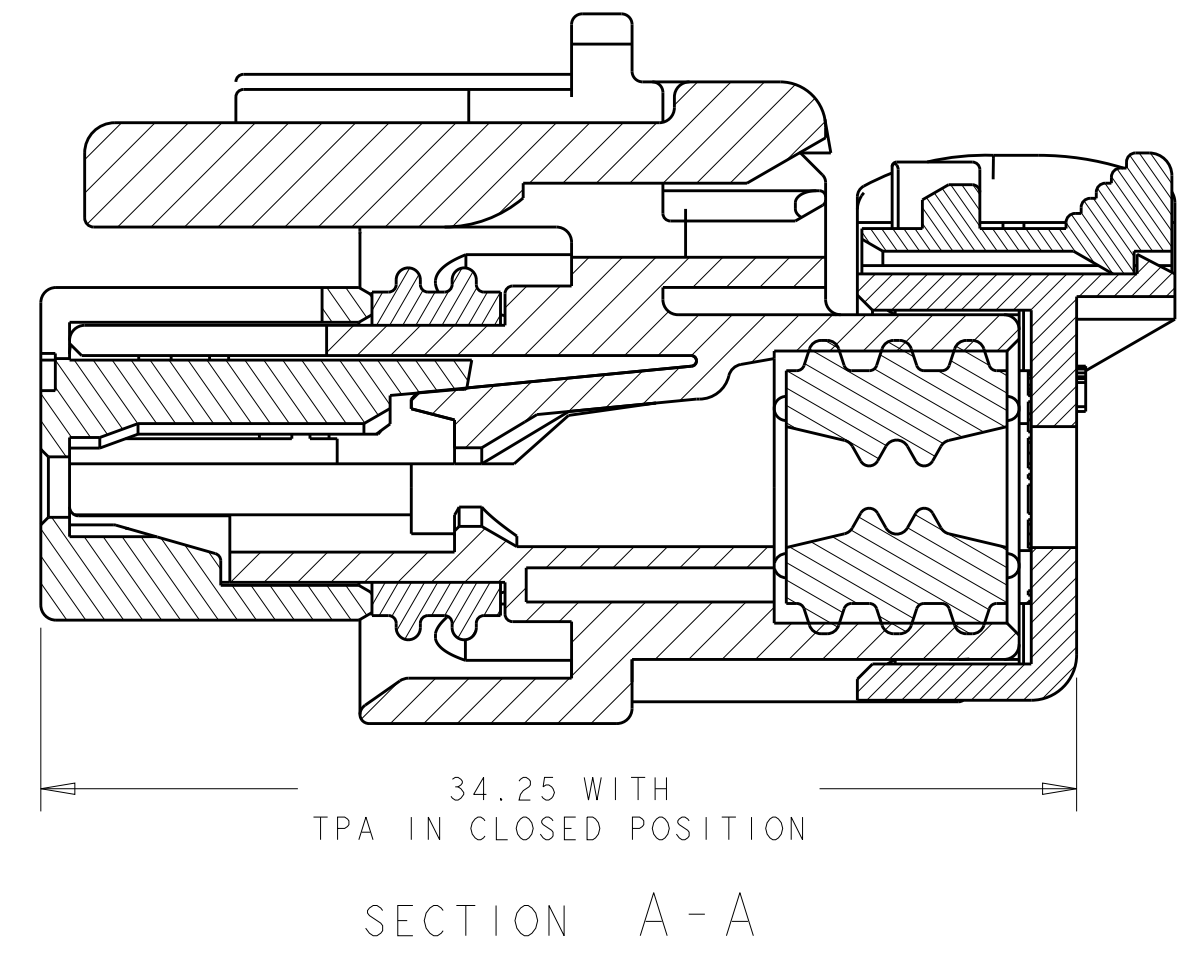
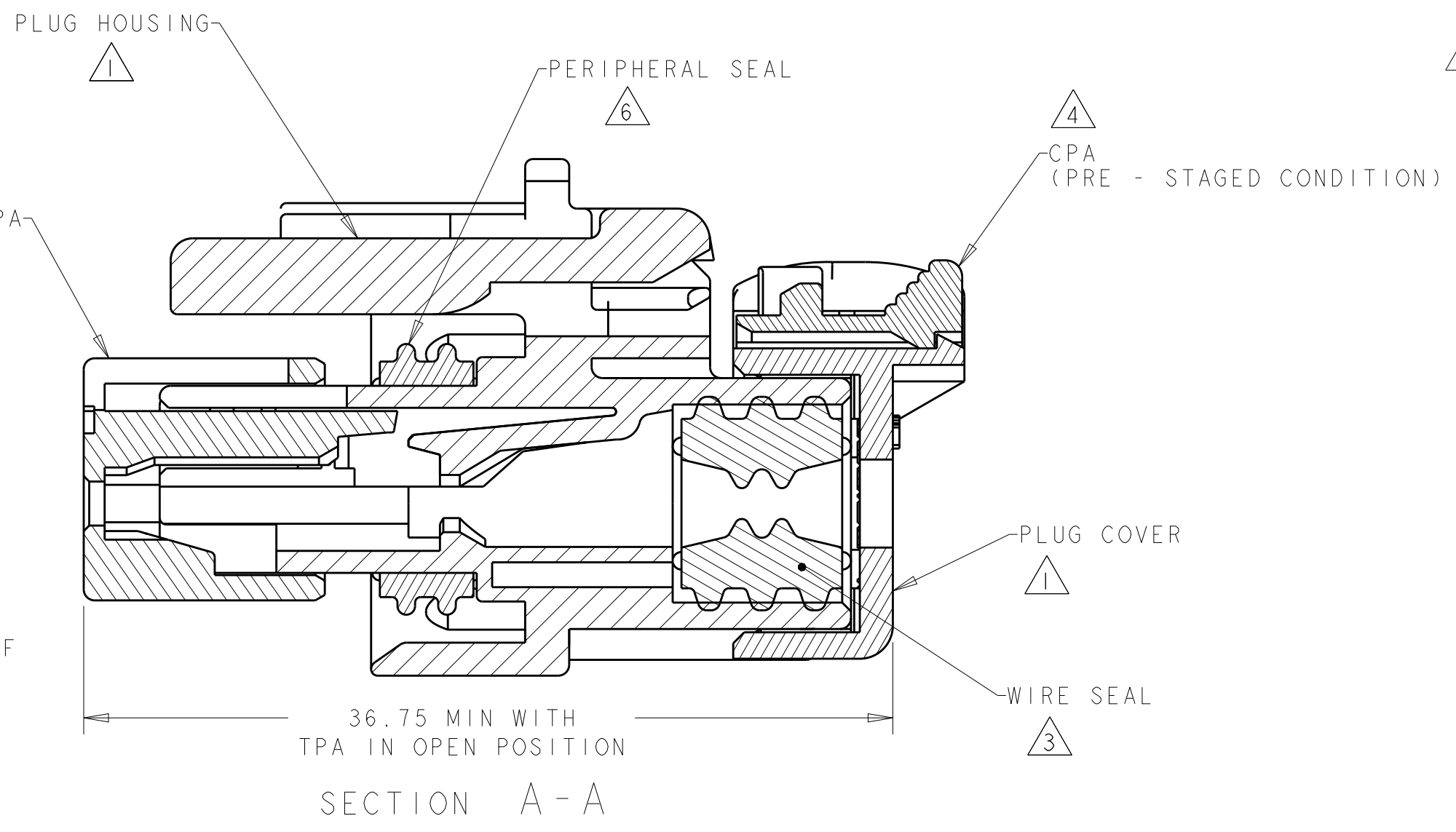


776427-4
SCALE 2:1
KEY D

- ① MATERIAL: 15% GLASS FILLED THERMOPLASTIC
COLOR: BLACK
- ② MATERIAL: 15% GLASS FILLED THERMOPLASTIC
COLOR: (SEE TABLE)
- ③ MATERIAL: SILICONE
COLOR: MARINE BLUE
- ④ MATERIAL: 15% GLASS FILLED THERMOPLASTIC
COLOR: RED
- 5. RECOMMENDED WIRE DIAMETER RANGE IS 2.18 TO 3.67mm.
- ⑥ MATERIAL: SILICONE
COLOR: BLUE



776427-1 SHOWN
KEY A



D	GREEN	776427-4
C	YELLOW	776427-3
B	GRAY	776427-2
A	RED	776427-1
KEY	TPA COLOR	PART NUMBER

THIS DRAWING IS A CONTROLLED DOCUMENT.		DWN AJ GRAFF 22FEB00	TE Connectivity	
DIMENSIONS: mm		CHK R GREINER 11DEC01		
TOLERANCES UNLESS OTHERWISE SPECIFIED:		APVD M TRULLI 11DEC01	NAME PLUG ASSEMBLY, 2 POSITION, SINGLE ROW AMPSEAL 16	
0 PLC ±	1 PLC ±	PRODUCT SPEC 108-2184	SIZE A20779	CAGE CODE C-776427
2 PLC ±	3 PLC ±	APPLICATION SPEC 114-13065	DRAWING NO	RESTRICTED TO
4 PLC ±	ANGLES ±	WEIGHT 8	SCALE 4:1	SHEET OF
FINISH -	-	Customer Drawing	REV G	