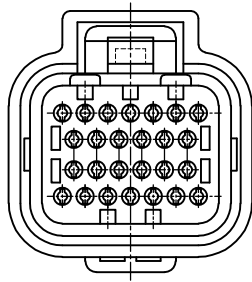
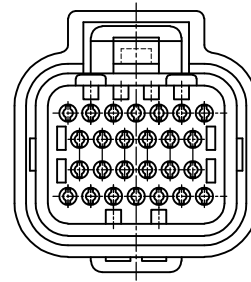


LOC J	DIST —	REVISIONS 変更					
		P	LTR	DESCRIPTION	DATE	DWN	APVD
		P		REVISED PER ECO-11-005140	28MAR11	RK	HMR



1473416-1



1473416-2

- SEE 2-1437285-3 FOR OTHER FEATURES
 - PART NUMBER OF CAP ASSEMBLY TO BE MATED: SEE TABLE-1
- その他の形状は、2-1437285-3参照。
 - 嵌合相手型番：TABLE-1 参照。

1473416-2	1473423-2 (26Pos.)
	6473423-2 (26Pos.)
1473416-1	1473427-1 (60Pos.)
	1473423-1 (26Pos.)
	1473418-2 (26Pos.)
	6473427-1 (60Pos.)
	6473423-1 (26Pos.)
	6473418-2 (26Pos.)
PART NUMBER	MATING CAP ASSEMBLY


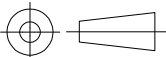
TABLE-1

RELEASED FOR PUBLICATION

ALL RIGHTS RESERVED.

THIS DRAWING IS UNPUBLISHED.

By -
COPYRIGHT -

DIMENSIONS: 単位： 耗 mm	DWN S. FURUYA	05APR01	MATERIAL 材料	-	FINISH 仕上	-
	CHK Y. FUJIWARA	05APR01	 TE Connectivity			
TOLERANCES UNLESS OTHERWISE SPECIFIED: 一般公差	APVD K. ASAI	05APR01				
0 PLC ± -	PRODUCT SPEC 製品規格	-	NAME 名称 SUPER SEAL CONNECTOR PLUG HOUSING 26POS. ASSEMBLY(SINGLE)			
1 PLC ± -	APPLICATION SPEC 取付適用規格	-				
2 PLC ± -	WEIGHT	-	SIZE	CAGE CODE	DRAWING NO	RESTRICTED TO
3 PLC ± -			A4	00779	?? C-1473416	-
4 PLC ± -						
ANGLES ± -						
	CUSTOMER DRAWING		SCALE 尺度	1:1	SHEET 1 OF 1	REV P