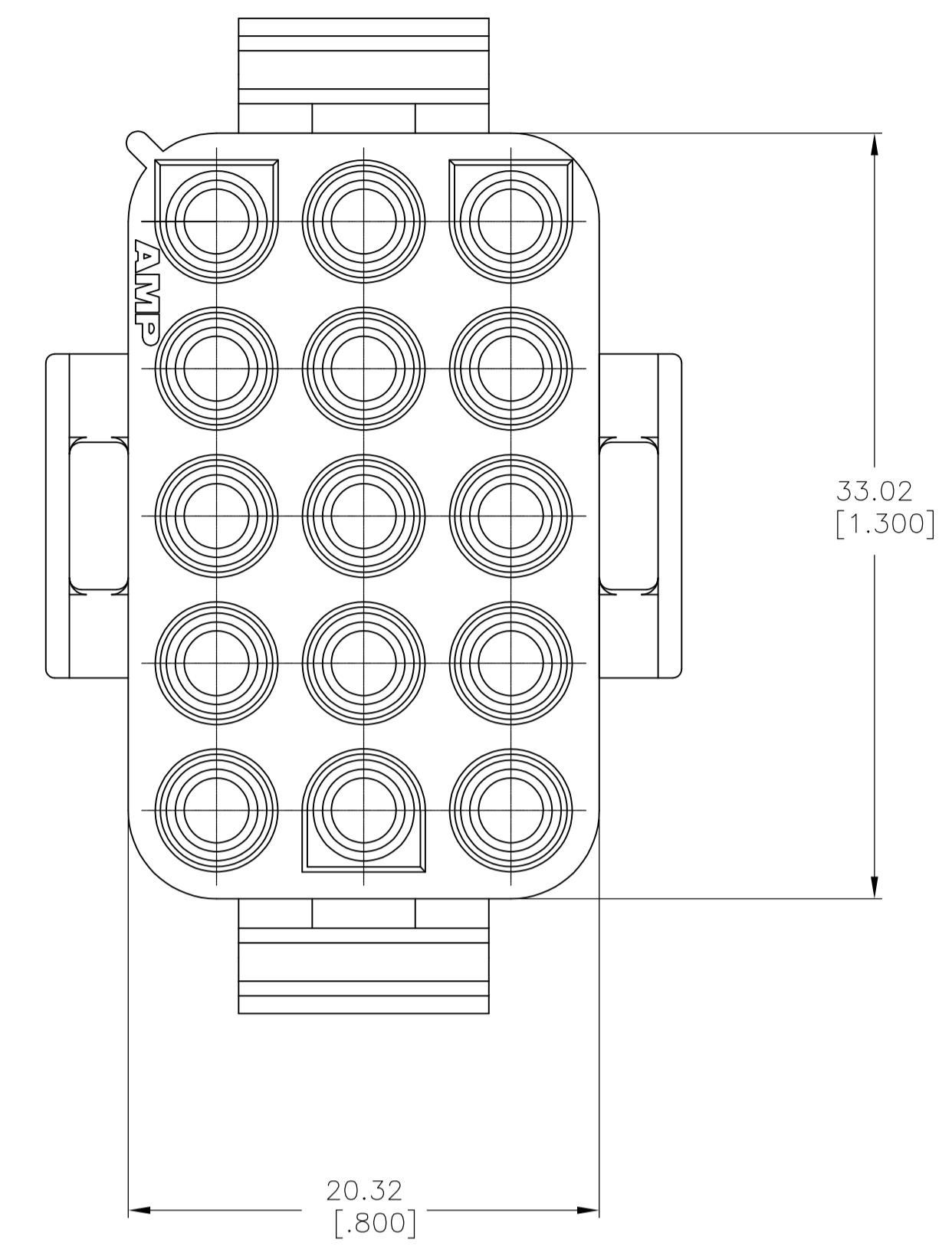
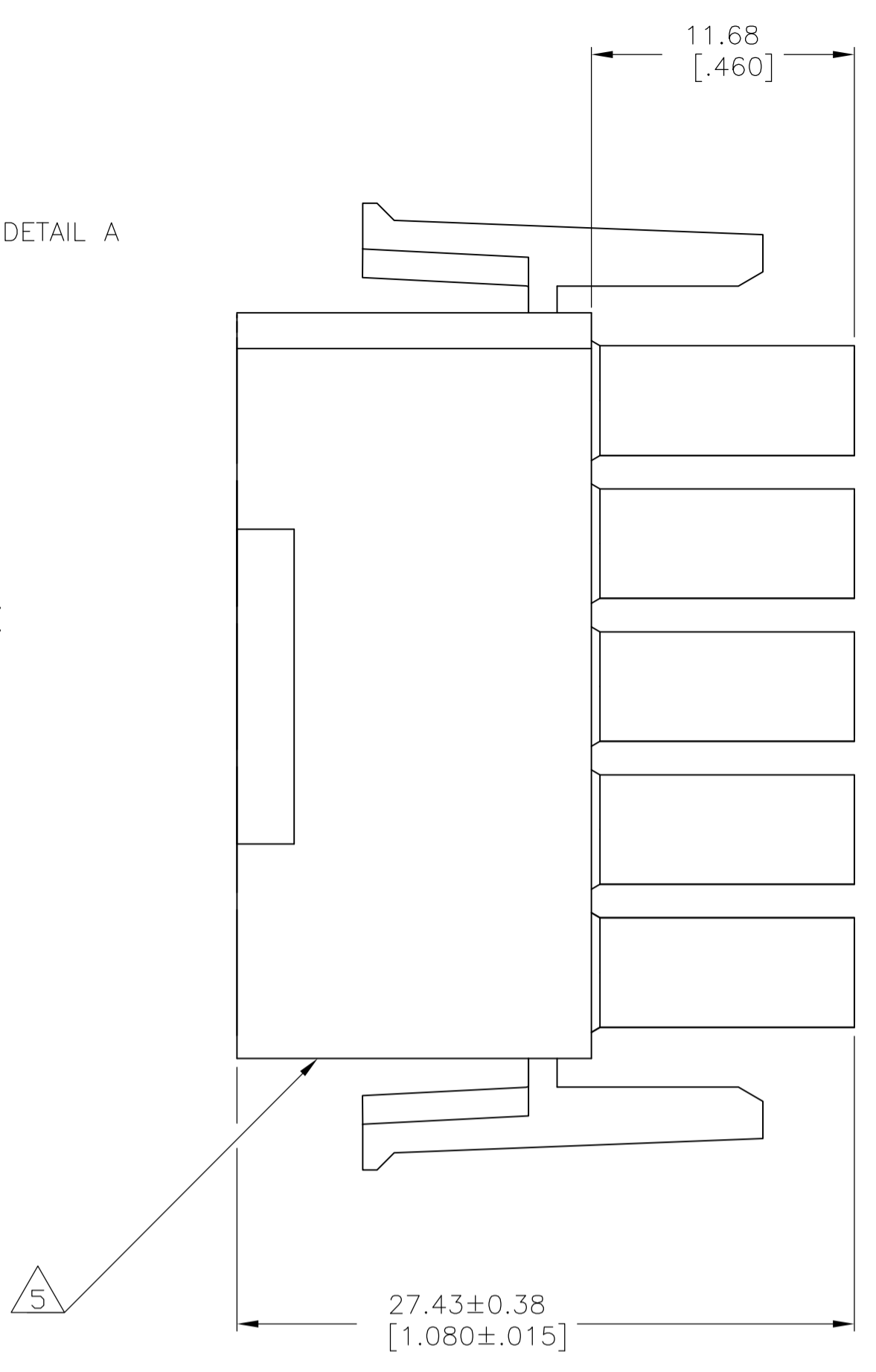
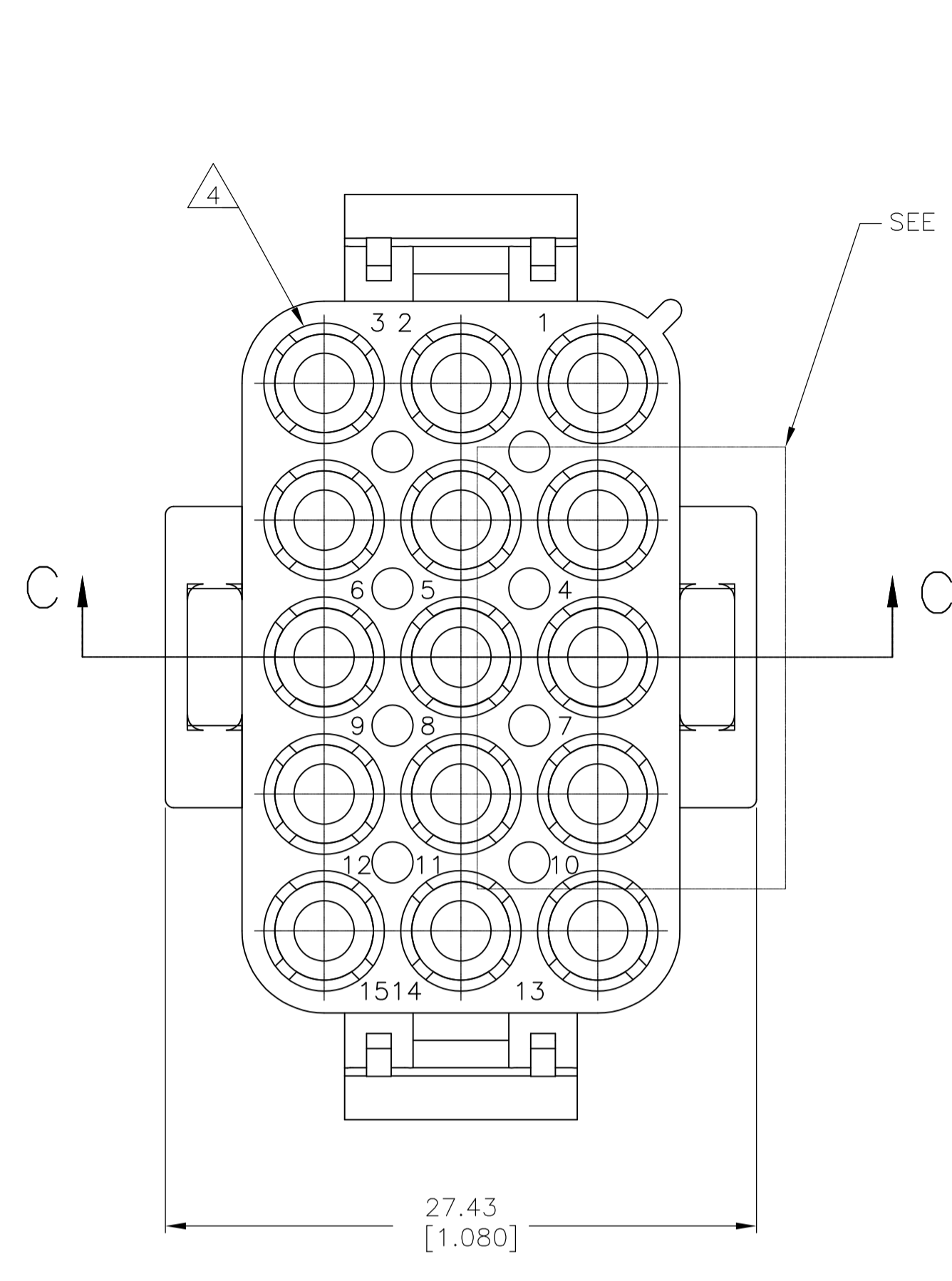
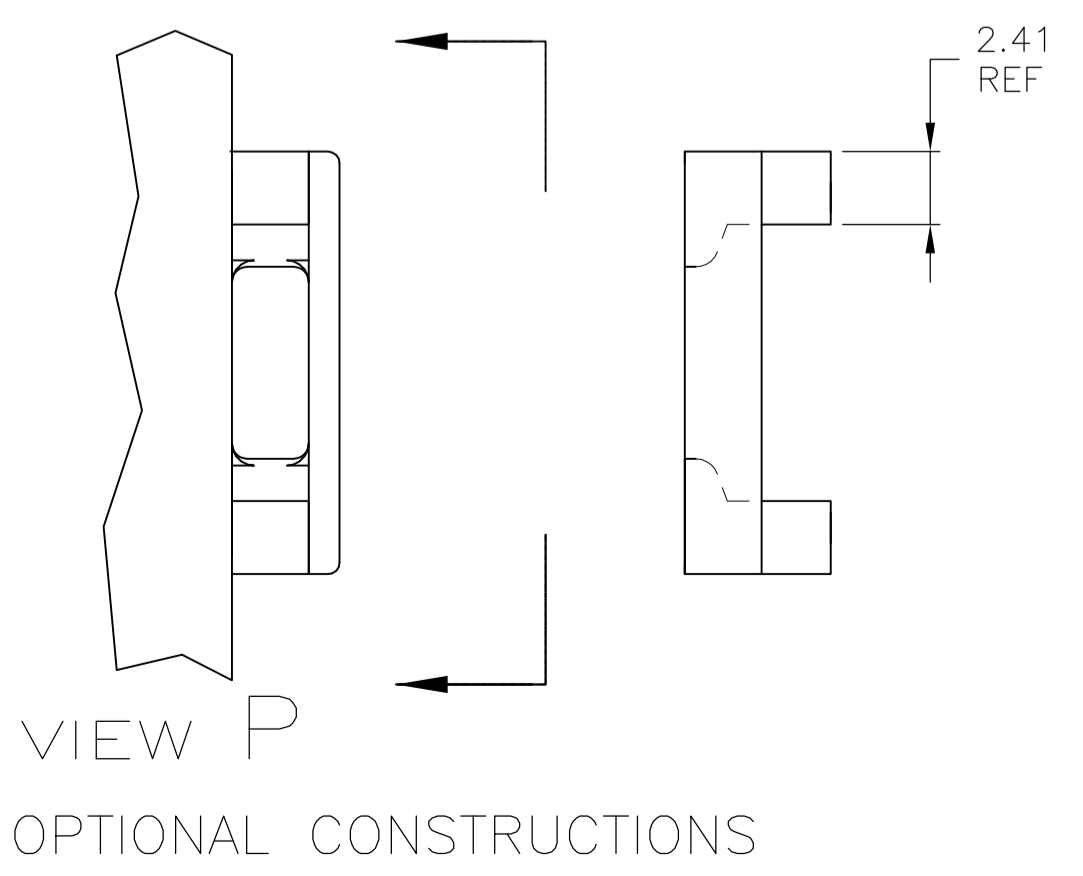
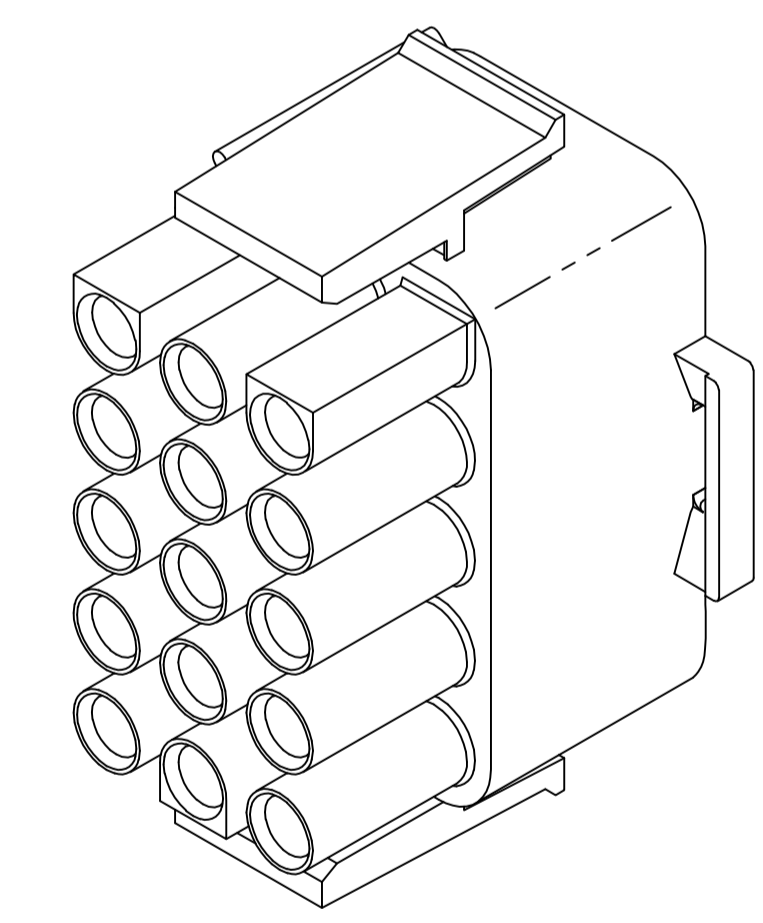
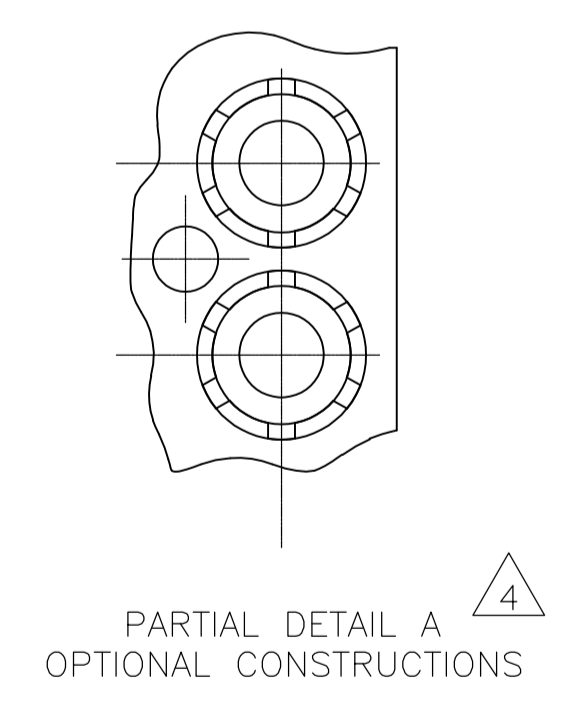
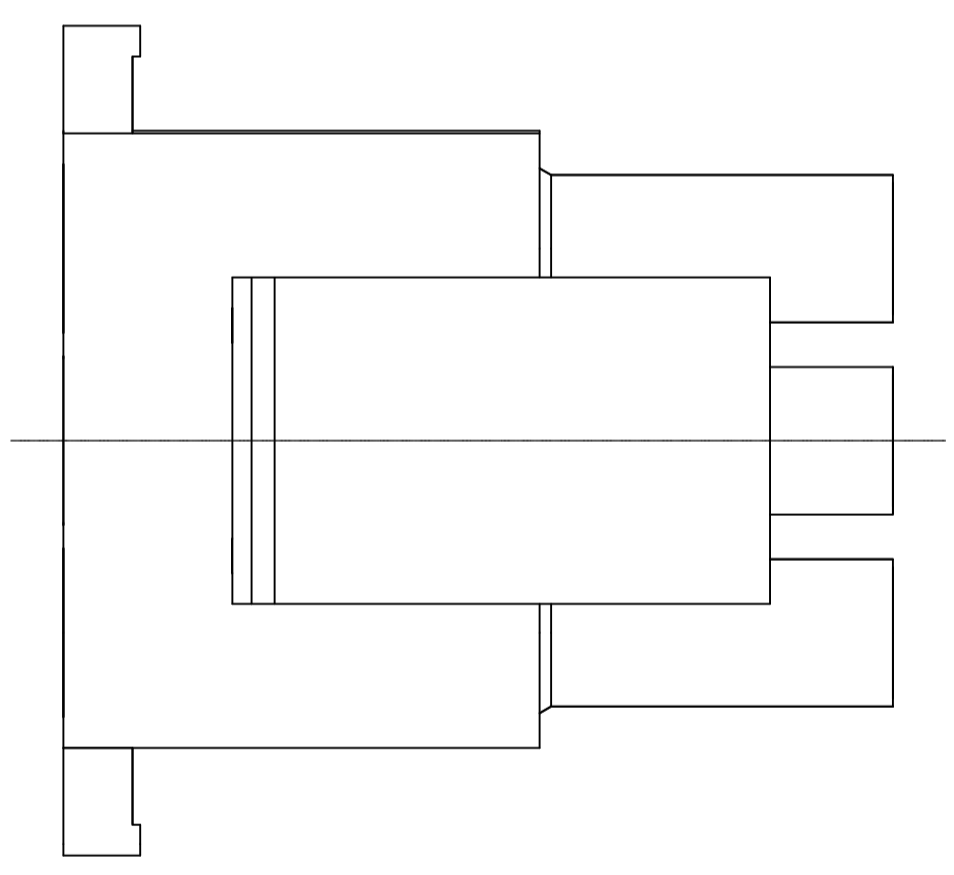
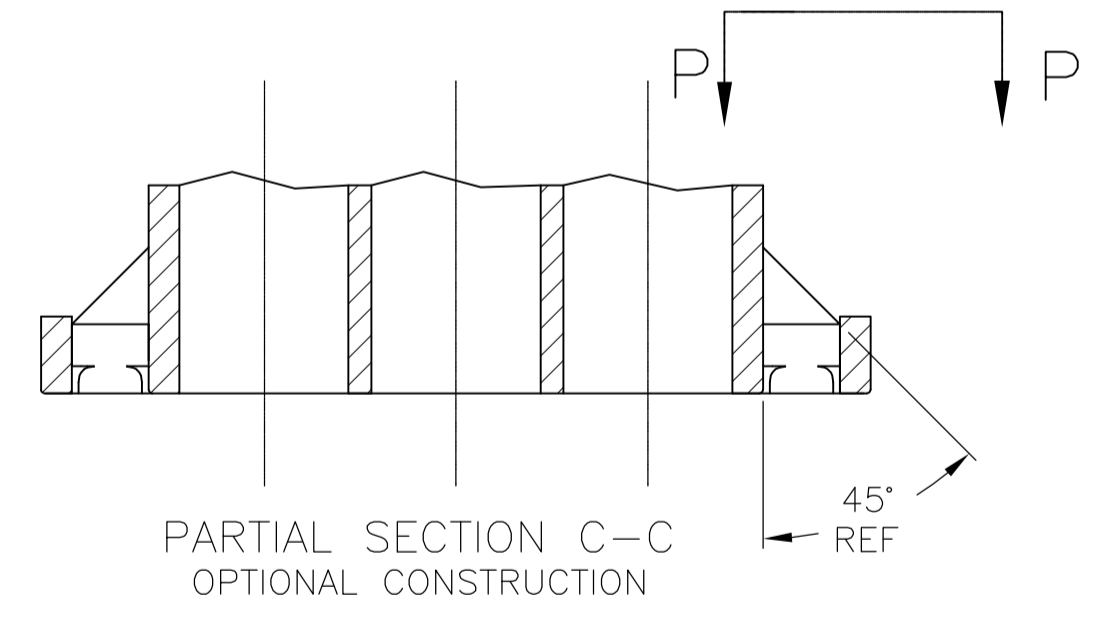
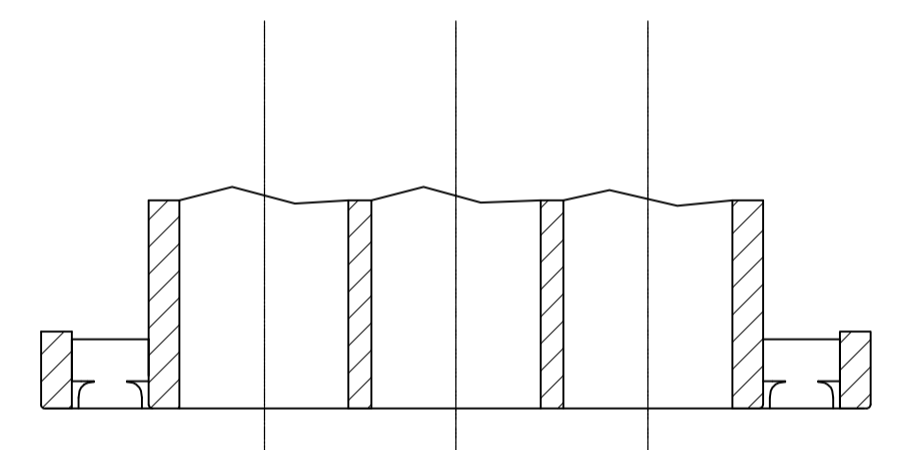


LOC		DIST		REVISIONS			
P	LTR	DESCRIPTION	DATE	DWN	APVD		
CM	00						
AN1	REVISED PER	ECR-17-008392	26JUN2017	BW	KR		



- MATES WITH APPROPRIATE UNIVERSAL MATE-N-LOK CAP OR HEADER.
 - SMALL NICKS ARE PERMITTED ON THE CIRCUIT TOWERS WHICH COULD INCREASE THE INITIAL HOUSING MATING FORCE BY UP TO 4.4 NEWTONS [1.0 LBS]. NO INDIVIDUAL NICKED TOWER SHALL INCREASE THIS FORCE BY OVER 2.2 NEWTONS [.5 LBS].
 - DIMENSIONS SHOWN REPRESENT PRODUCT IN DRY, AS MOLDED, CONDITION. ADDITIONAL 2% GROWTH DUE TO SUBSEQUENT MOISTURE ABSORPTION MAY OCCUR AND SHOULD BE ACCOUNTED FOR.
- △4 FOUR RIBS EQUALLY SPACED, NO SPECIFIC ORIENTATION. OR SIX RIBS EQUALLY SPACED, NO SPECIFIC ORIENTATION, OPTIONAL.
- △5 UNDERWRITERS RECOGNIZED COMPONENT LOGO AND CSA CERTIFICATION LOGO TO BE LOCATED ONCE EACH ON SIDE OF HOUSING.
- △6 OBSOLETE PARTS: OBSOLETE CIS STREAMLINING PER D.RENAUD/D.SINISI



Color	Part Number
BLACK	1-480710-9
GRAY	1-480710-8
BLUE	1-480710-6
GREEN	1-480710-5
YELLOW	1-480710-4
ORANGE	1-480710-3
RED	1-480710-2
BROWN	1-480710-1
NATURAL	1-480710-0
COLOR	PART NUMBER

△6 OBSOLETE

△6 SUPERSEDED BY 1-480710-0

△6 OBSOLETE

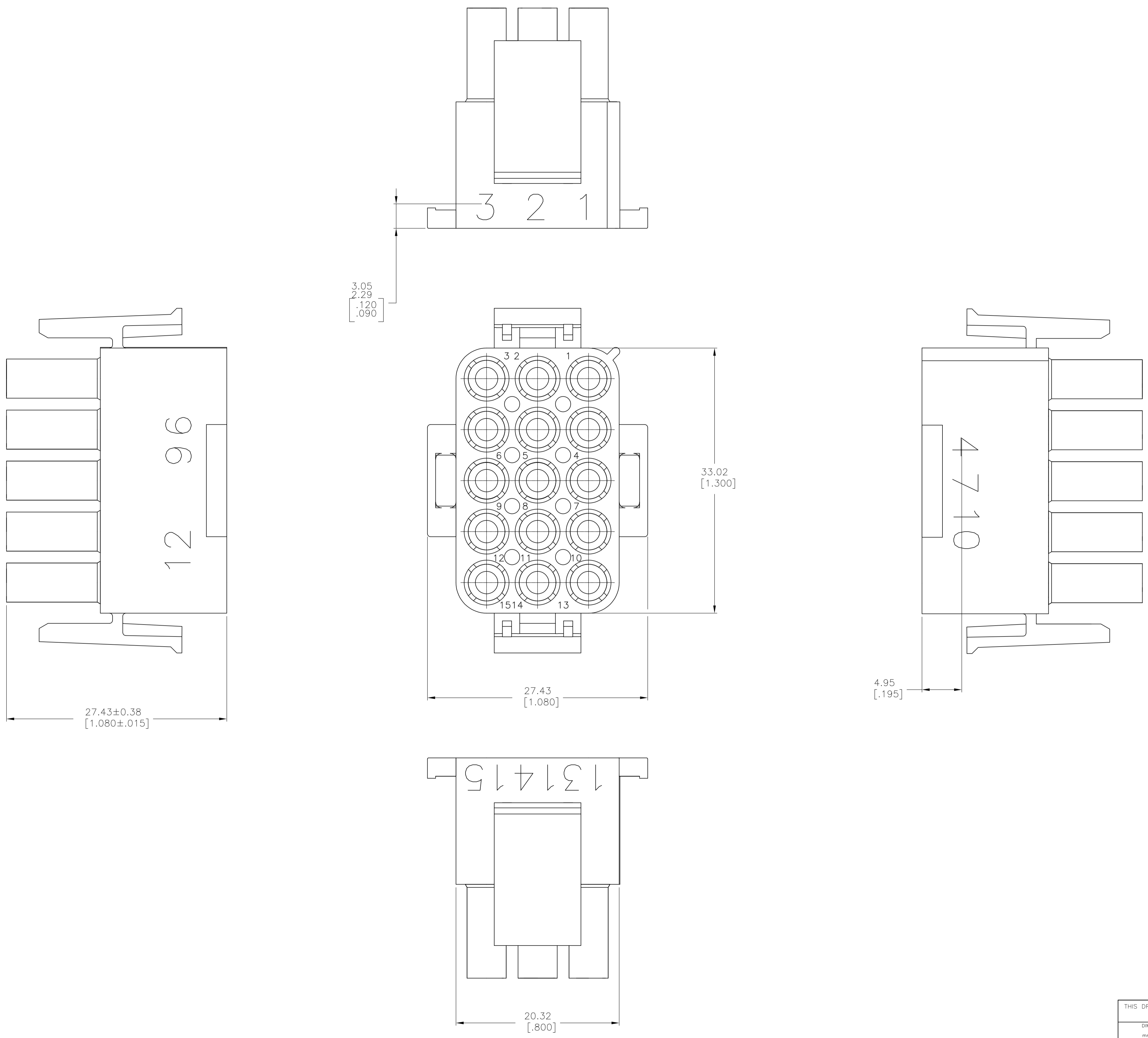
THIS DRAWING IS A CONTROLLED DOCUMENT.

DIMENSIONS: mm [INCHES]	TOLERANCES UNLESS OTHERWISE SPECIFIED:	DIN K. WHITAKER 02SEP04	CHK S. RIDGILL	APVD S. RIDGILL	NAME
0. PLC ± -	1. PLC ± -				PLUG, 15 CIRCUIT, UNIVERSAL MATE-N-LOK
2. PLC ± 0.13 [.005]	3. PLC ± -				
4. PLC ± -	ANGLES ± 0°30'				
MATERIAL NYLON, UL 94V-2	FINISH -				

STE TE Connectivity

SIZE: A1 CAGE CODE: 00779 DRAWING NO: 480710 RESTRICTED TO: -

CUSTOMER DRAWING SCALE: 4:1 SHEET: 1 OF 2 REV: AN1



1. STAMP NUMBERS 3.18 HIGH AT WIRE END OF HOUSING (12 POINT DAVID TYPE).
2. CHARACTERS TO BE POSITIONED ON HOUSING TO BE READ FROM WIRE END ONLY.
3. VIOLET, BLACK, BROWN, AND BLUE COLORED BLOCKS TO BE STAMPED WITH WHITE CHARACTERS. ALL OTHER COLORED BLOCKS TO BE STAMPED WITH BLACK CHARACTERS.

NATURAL	2-480710-0
COLOR	PART NUMBER

THIS DRAWING IS A CONTROLLED DOCUMENT.		DIN K. WHITAKER 02SEP04		TE Connectivity	
DIMENSIONS: mm [INCHES]		TOLERANCES UNLESS OTHERWISE SPECIFIED:			
		0. PLC ± -	1. PLC ± -	APVD S. RIDGILL NAME	
		2. PLC ± 0.13 [.005]	3. PLC ± -	PRODUCT SPEC	
		4. PLC ± -	ANGLES ± 0.30°	APPLICATION SPEC	
MATERIAL NYLON, UL 94V-2		FINISH -		SIZE CAGE CODE DRAWING NO RESTRICTED TO	
				A1 00779 C=480710	
				CUSTOMER DRAWING SCALE 4:1 SHEET 2 OF 2 REV AN1	