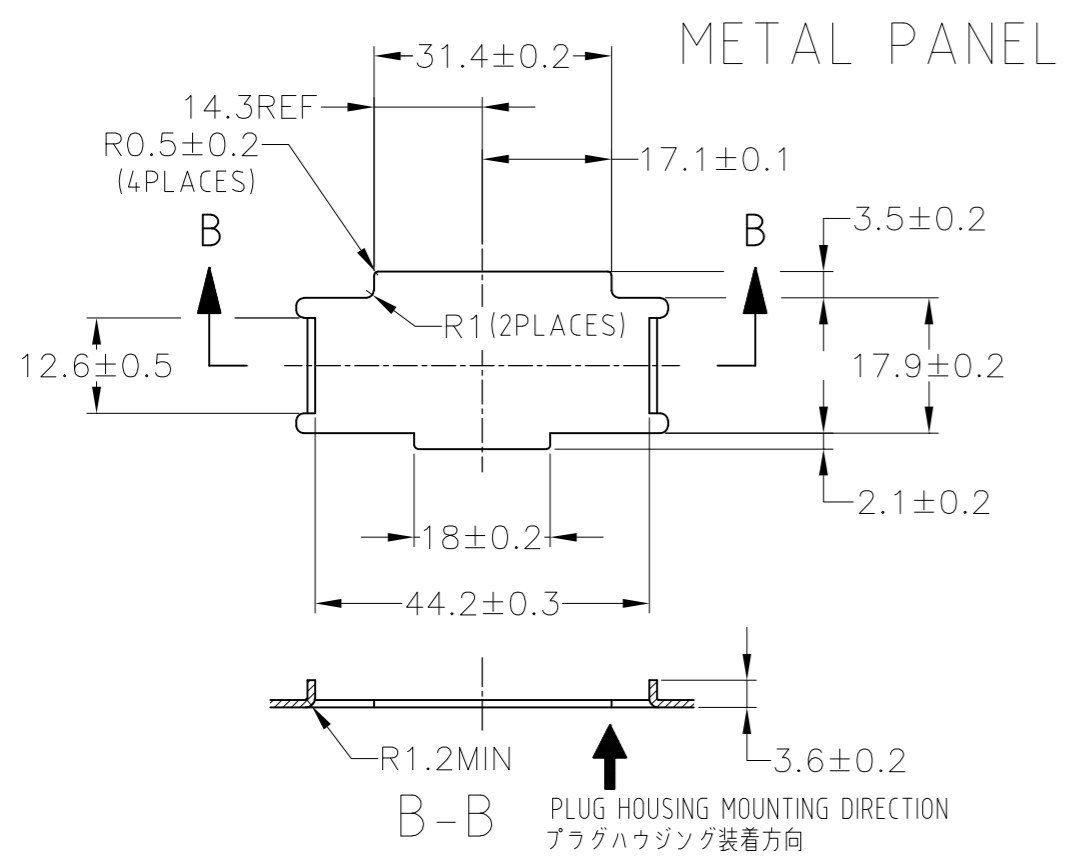
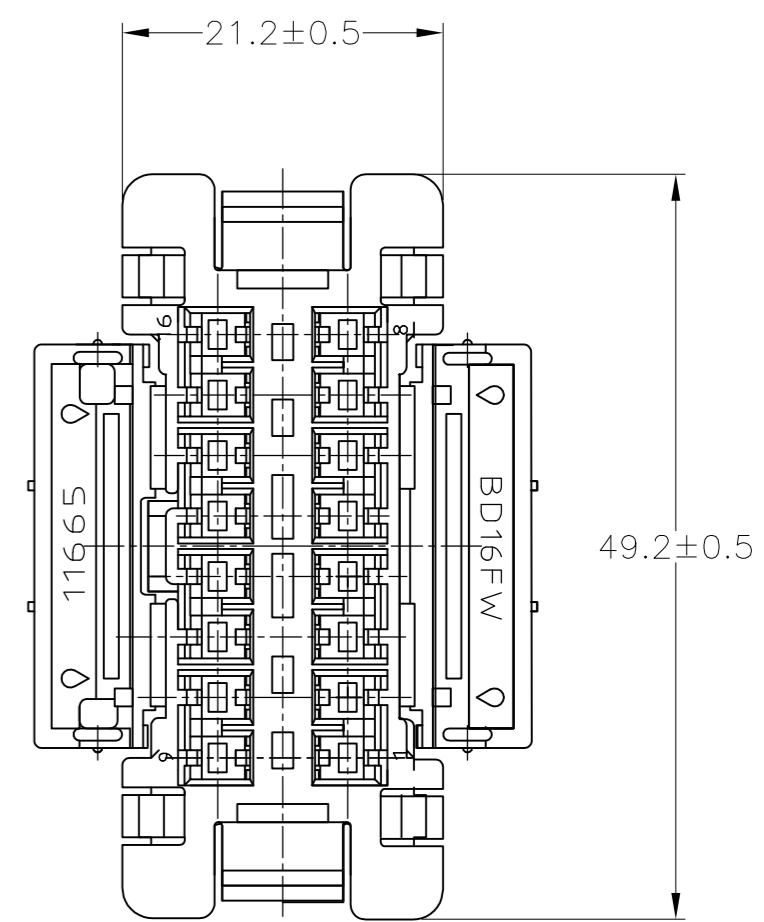
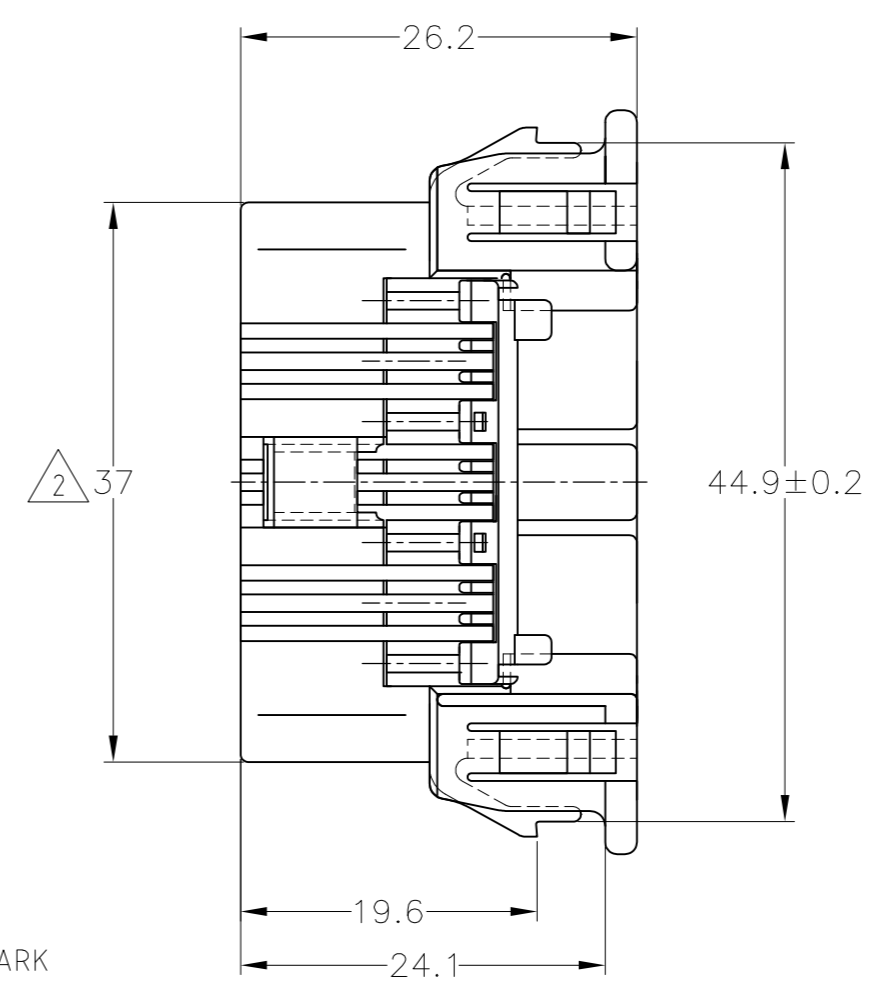
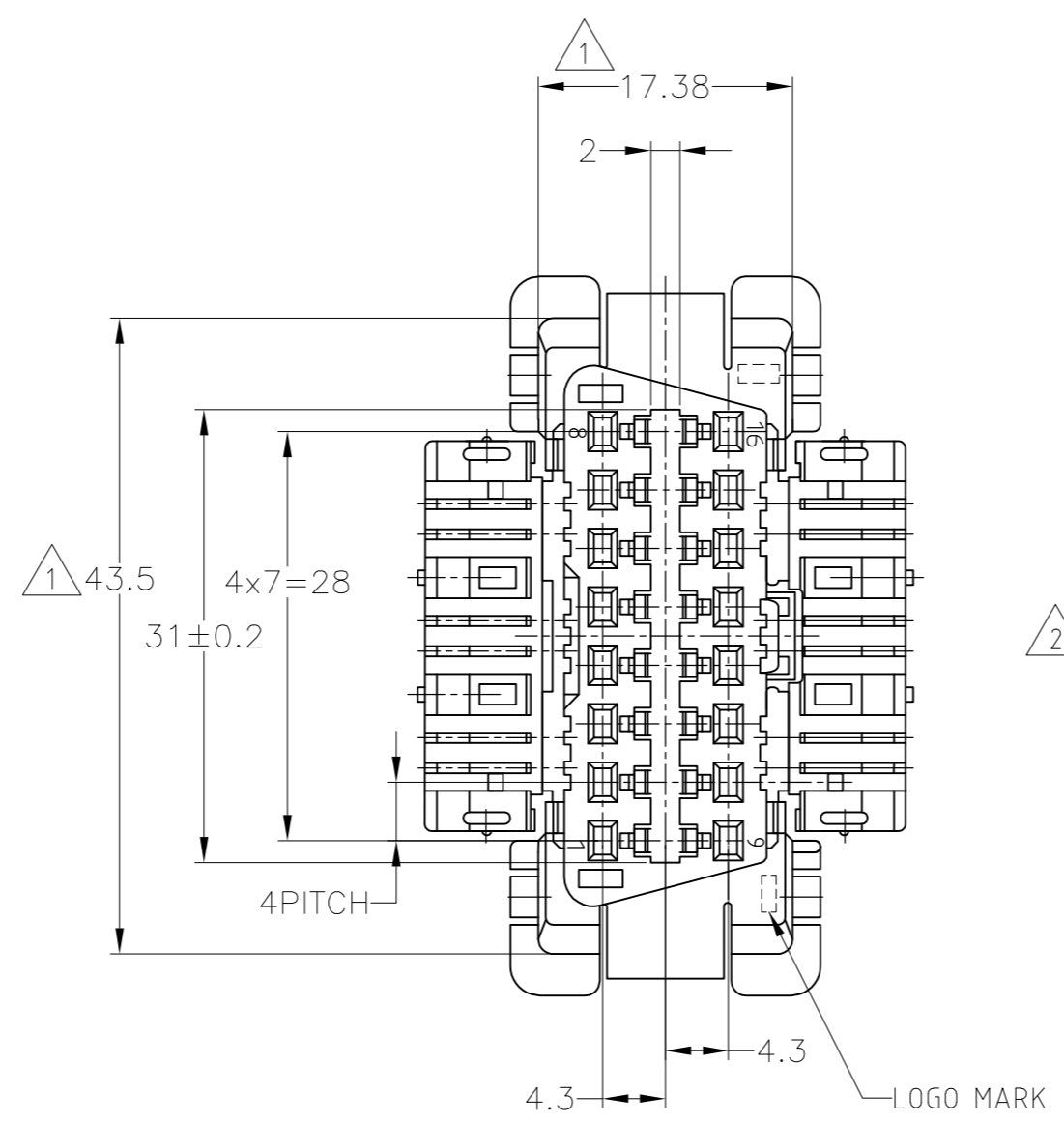


REVISIONS					
P	LTR	DESCRIPTION	DATE	DWN	APVD
C3	REVISED	ECR-19-009512	20JUN2019	DM	HK

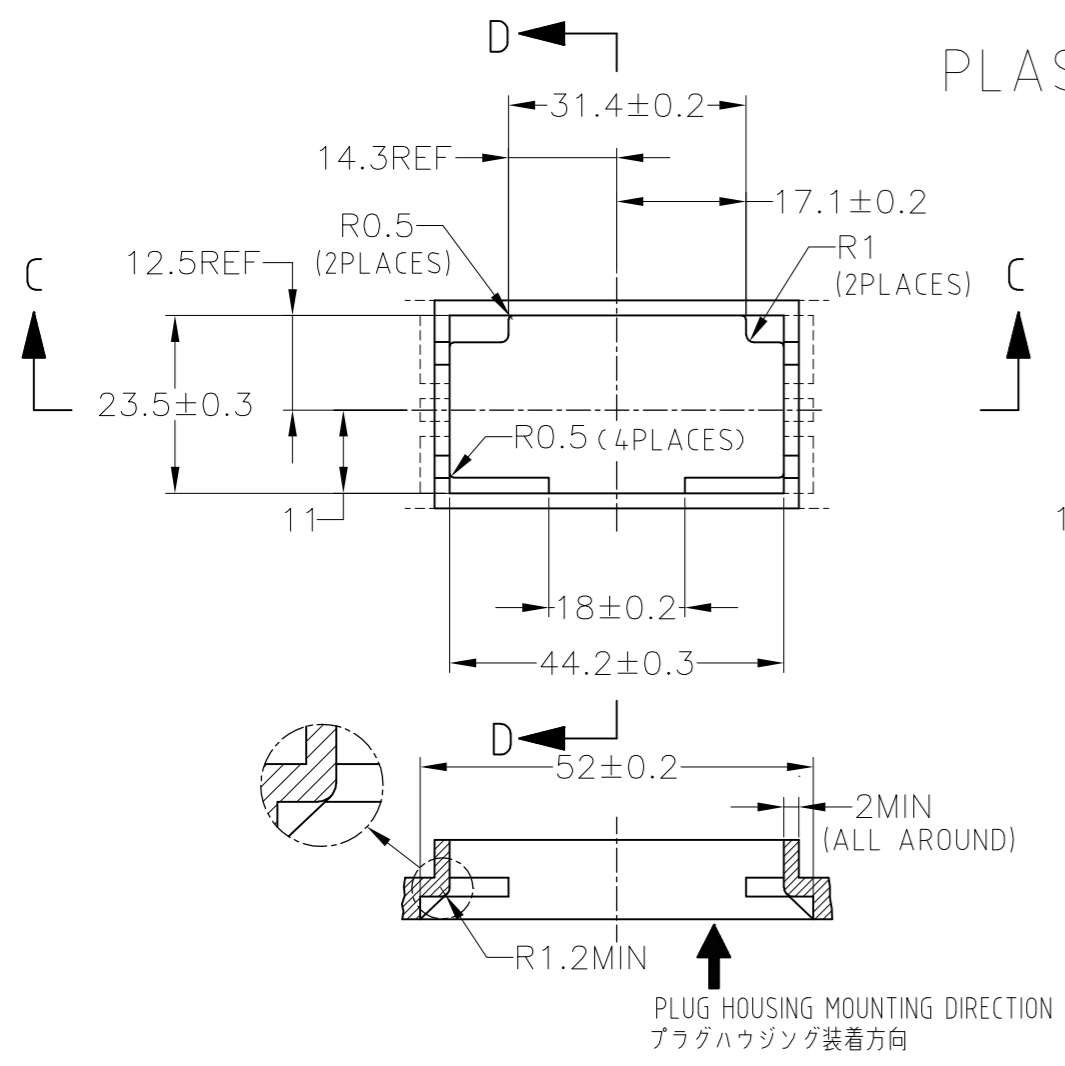
RECOMMENDED PANEL DIMENSIONS



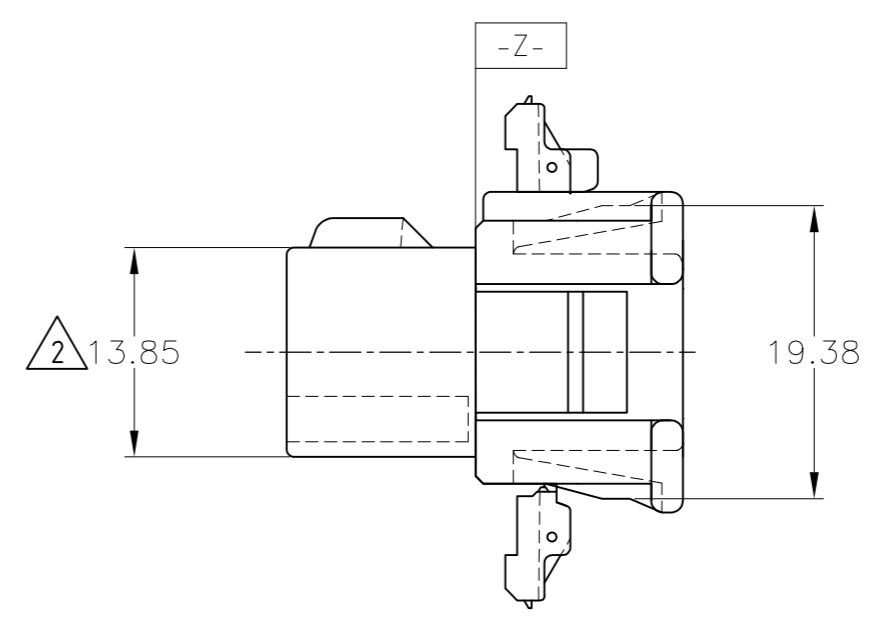
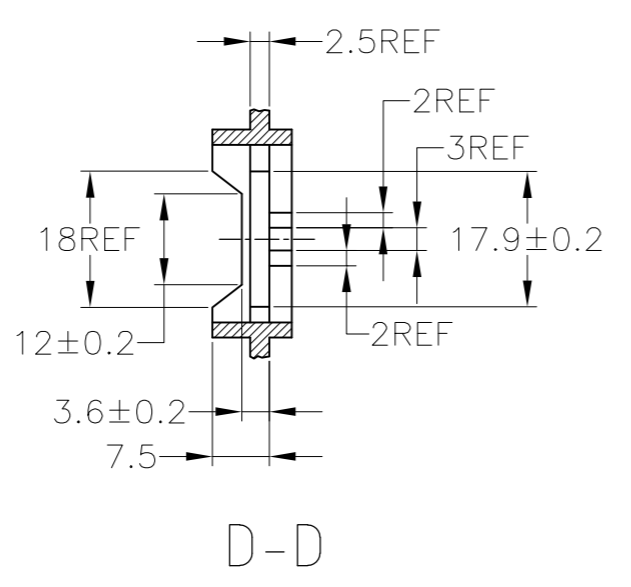
scale 1:1



PLASTIC PANEL



C-C scale 1:1



- △-Z- 面より2mmの範囲で測定
- △相手ハウジングと所定の機能を満足してかん合出来ること  
3内装するリセパタクル コンタクト型番: 776001
- △1 TO BE MEASURED BETWEEN -Z- AND 2
- △2 TO BE MATE WITH CAP HOUSING SMOOTHLY  
3 APPLIED RECEPTACLE CONTACT PART NUMBER: 776001

BLACK	16POSITION PLUG HOUSING	179631-2
WHITE	16POSITION PLUG HOUSING	179631-1
色	名称	型番
COLOR	NAME	PART NUMBER

THIS DRAWING IS A CONTROLLED DOCUMENT.		DWN T.Minematsu 09JUN00	TE Connectivity	
DIMENSIONS: mm		CHK -	NAME 16POSITION PLUG HOUSING DIAGNOSTIC CONNECTOR	
TOLERANCES UNLESS OTHERWISE SPECIFIED: 一般公差		APVD M.TSUKAKOSHI 09JUN00	PRODUCT SPEC 108-5637	
0 PLC ± 1 PLC ±- 2 PLC ±- 3 PLC ±- 4 PLC ±- ANGLES ±-		APPLICATION SPEC -		SIZE A2
MATERIAL PBT		FINISH -	WEIGHT 11g	CAGE CODE 00779
TOLERANCES UNLESS OTHERWISE SPECIFIED: 10以下: ±0.2 10を超え 30以下: ±0.25 30を超え 100以下: ±0.3 角度: ±3°		CUSTOMER DRAWING		DRAWING NO C=179631
		SCALE 2:1		SHEET 1 of 1
				REV C3

179631