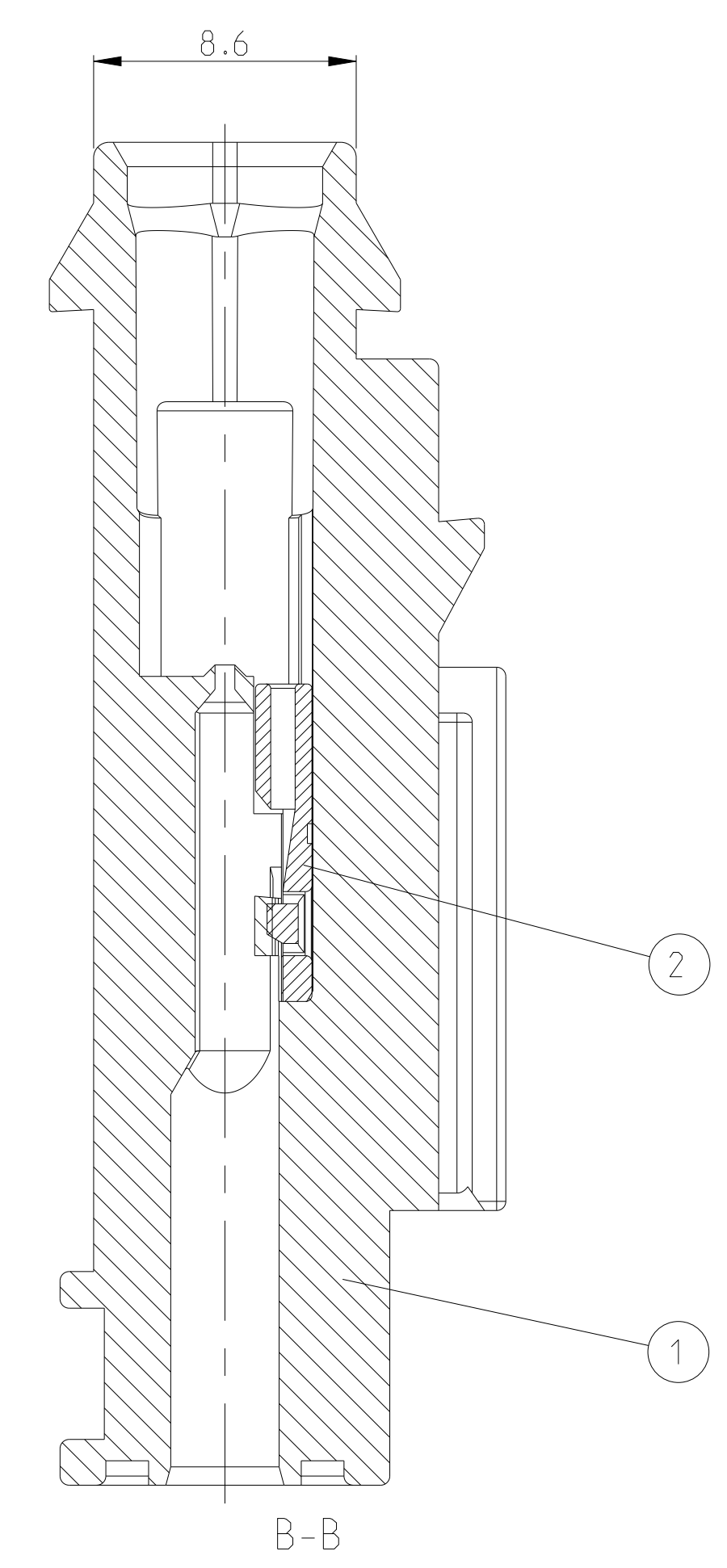
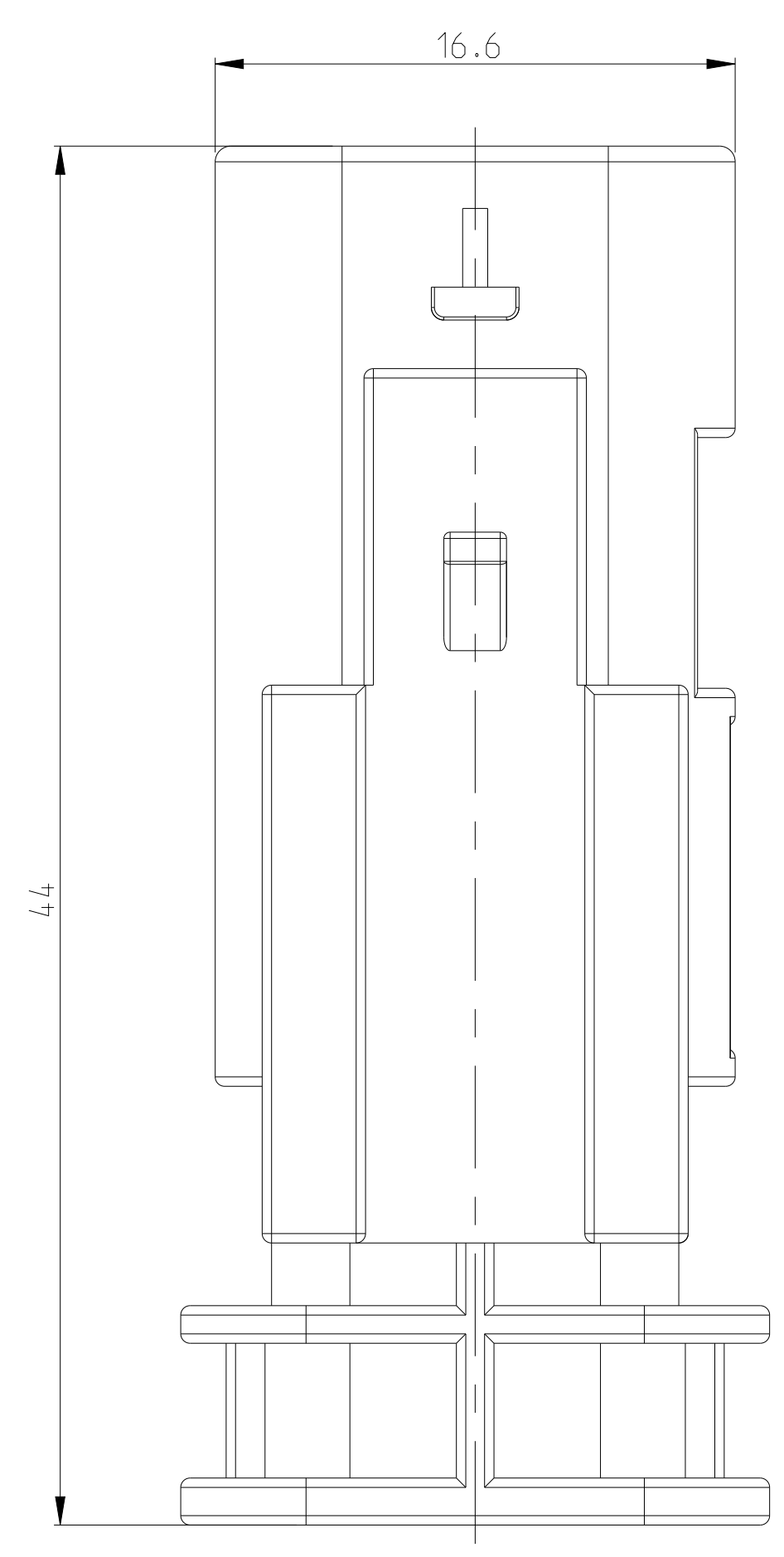
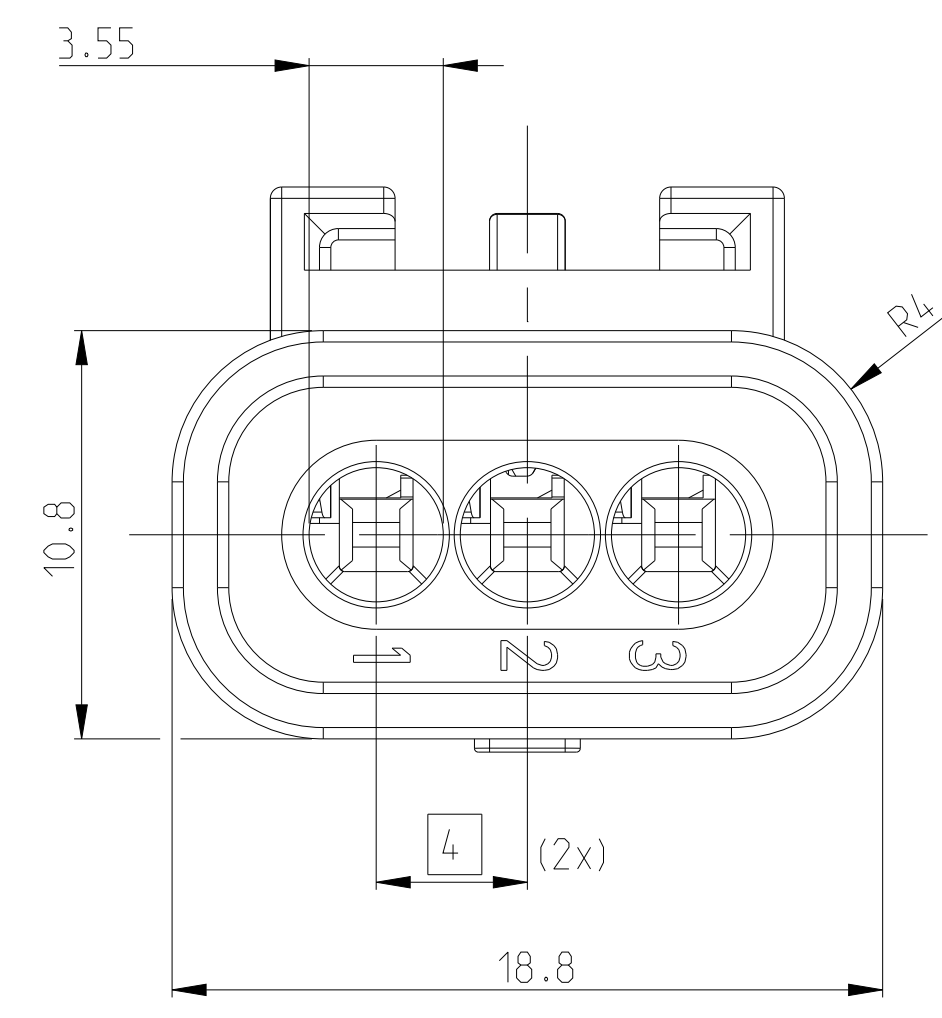
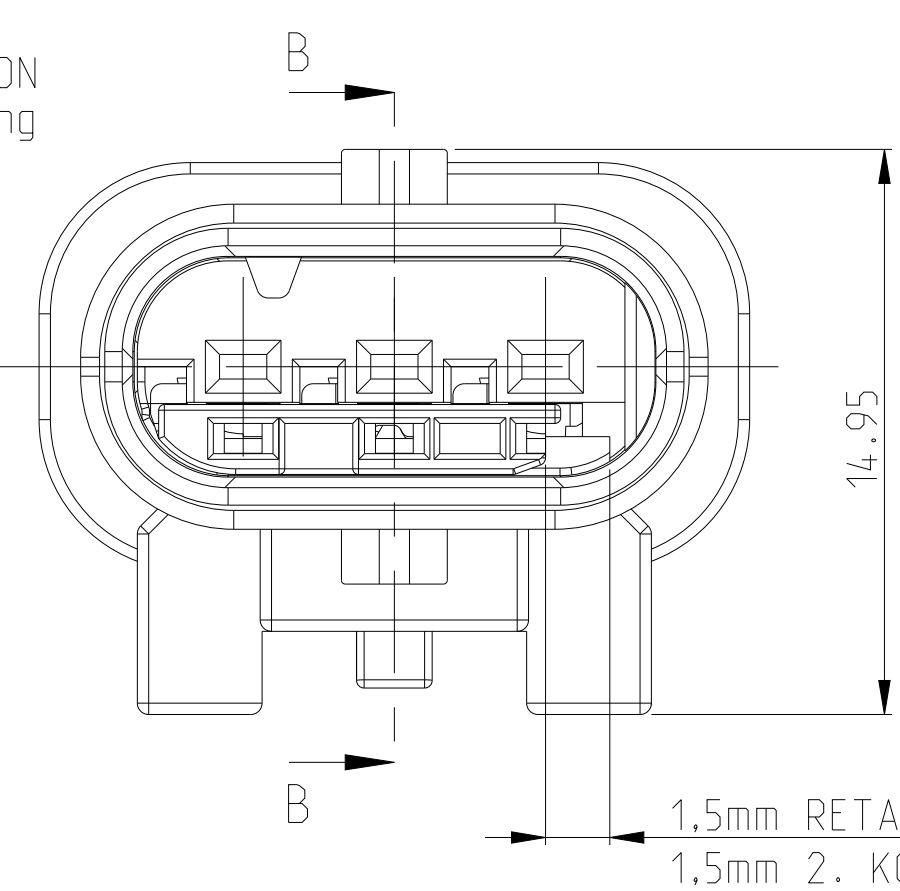


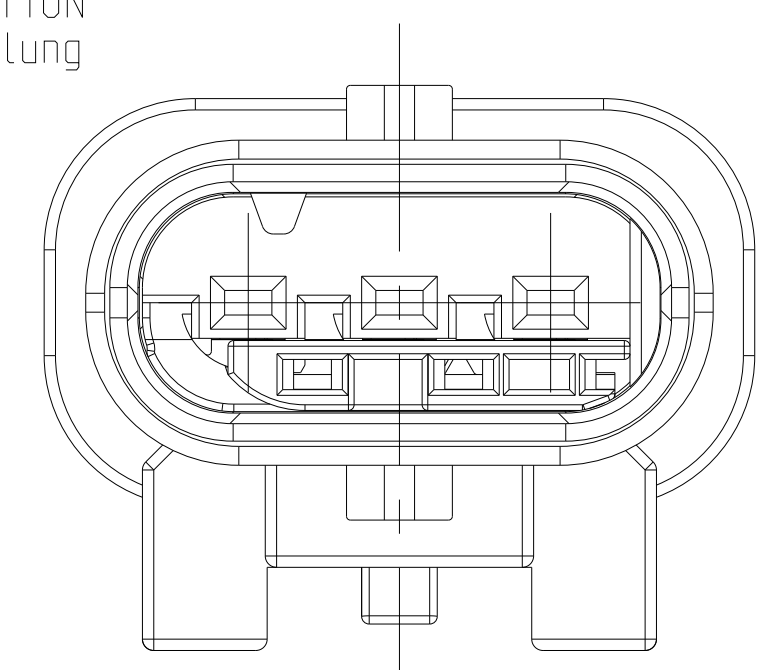
SHOWN 1-1703494-1



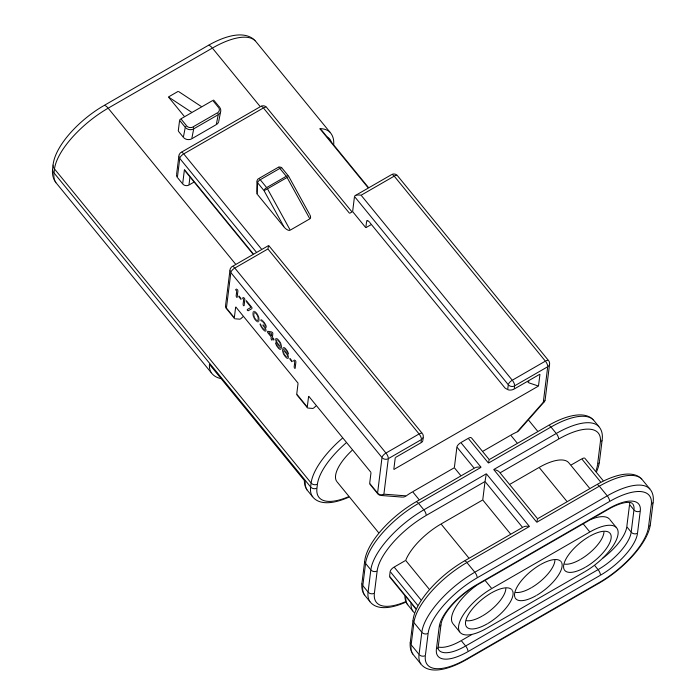
RETAINER IN PRE LOCKED POSITION
Kontaktsicherung in Vorraststellung



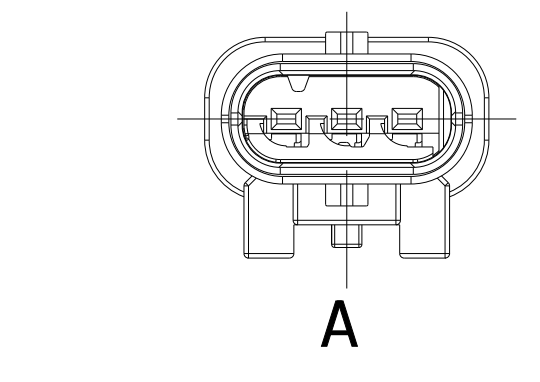
RETAINER IN FINAL LOCKED POSITION
2.Kontaktsicherung in Endraststellung



RETAINER MOVING DIRECTION
2.Kontaktsicherung Verschiebeweg



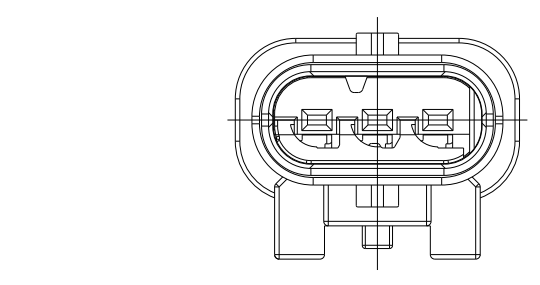
CODINGS KODIERUNGEN M 2:1



A
1-1703494-1
(BLACK)



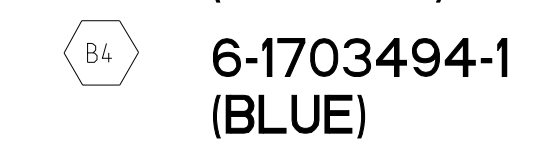
B2
1-1703494-4
(YELLOW)



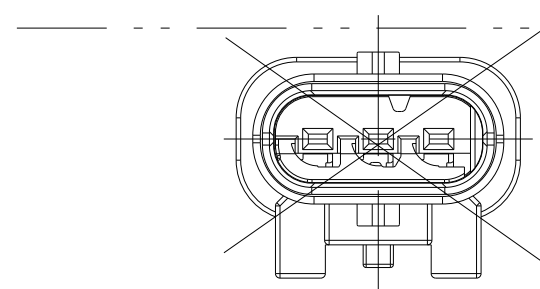
B
2-1703494-1
(BLACK)



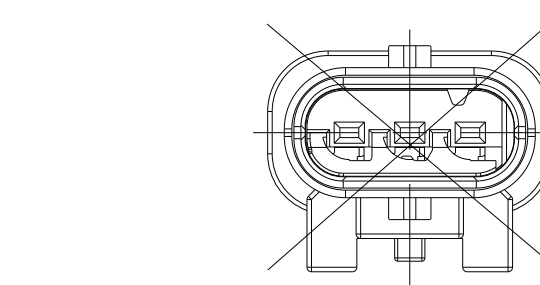
B2
2-1703494-4
(YELLOW)



B4
6-1703494-1
(BLUE)

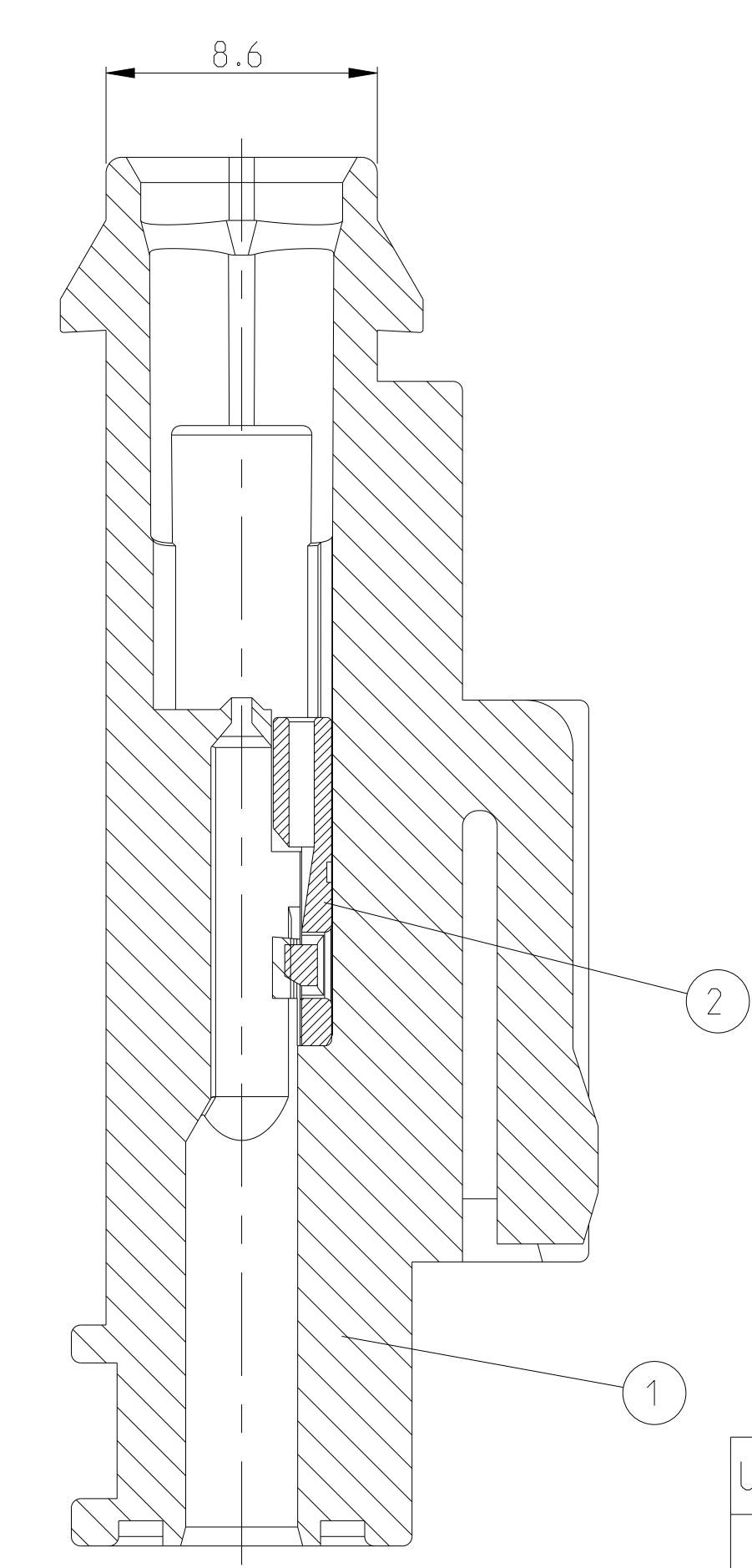
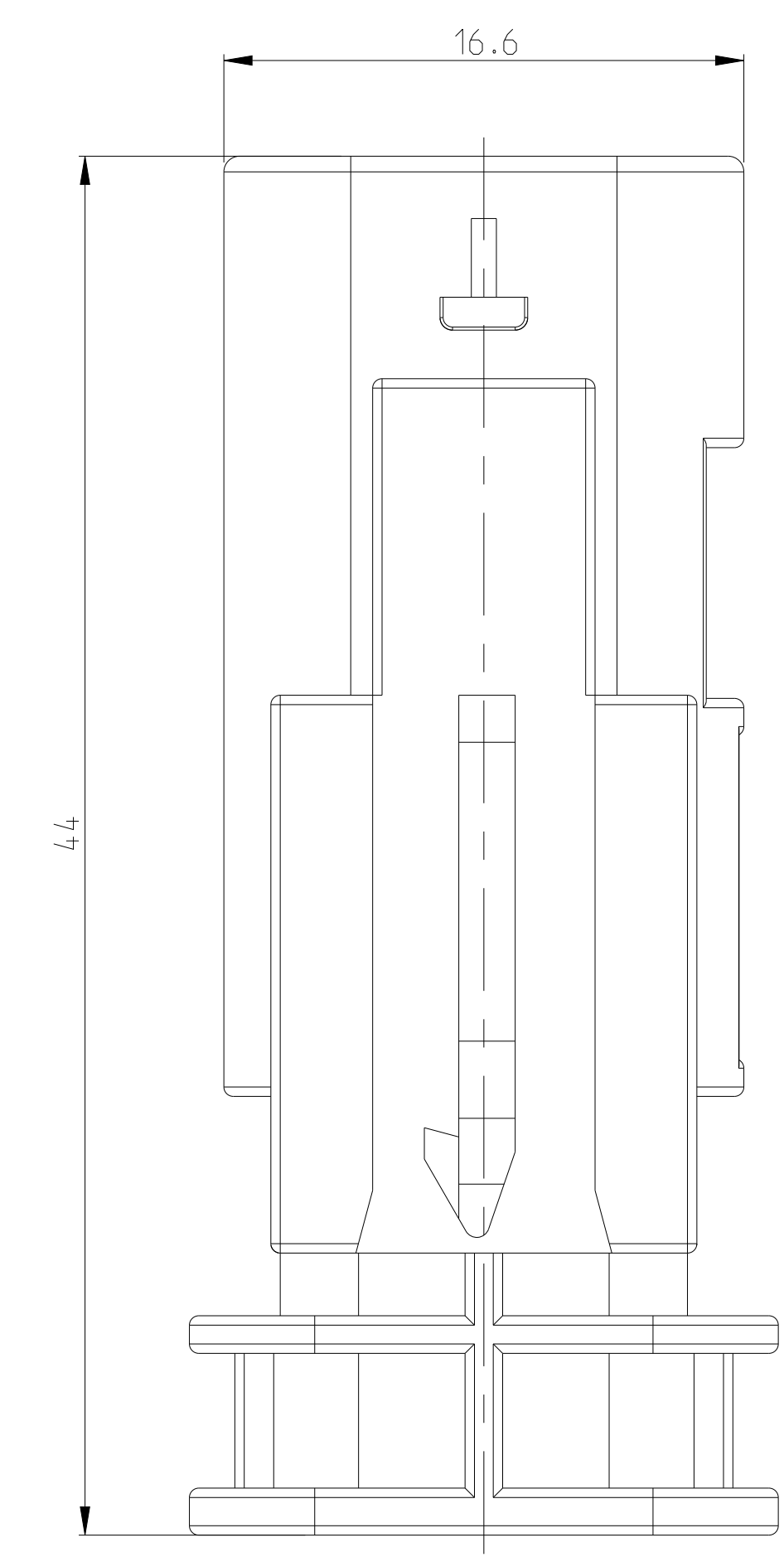
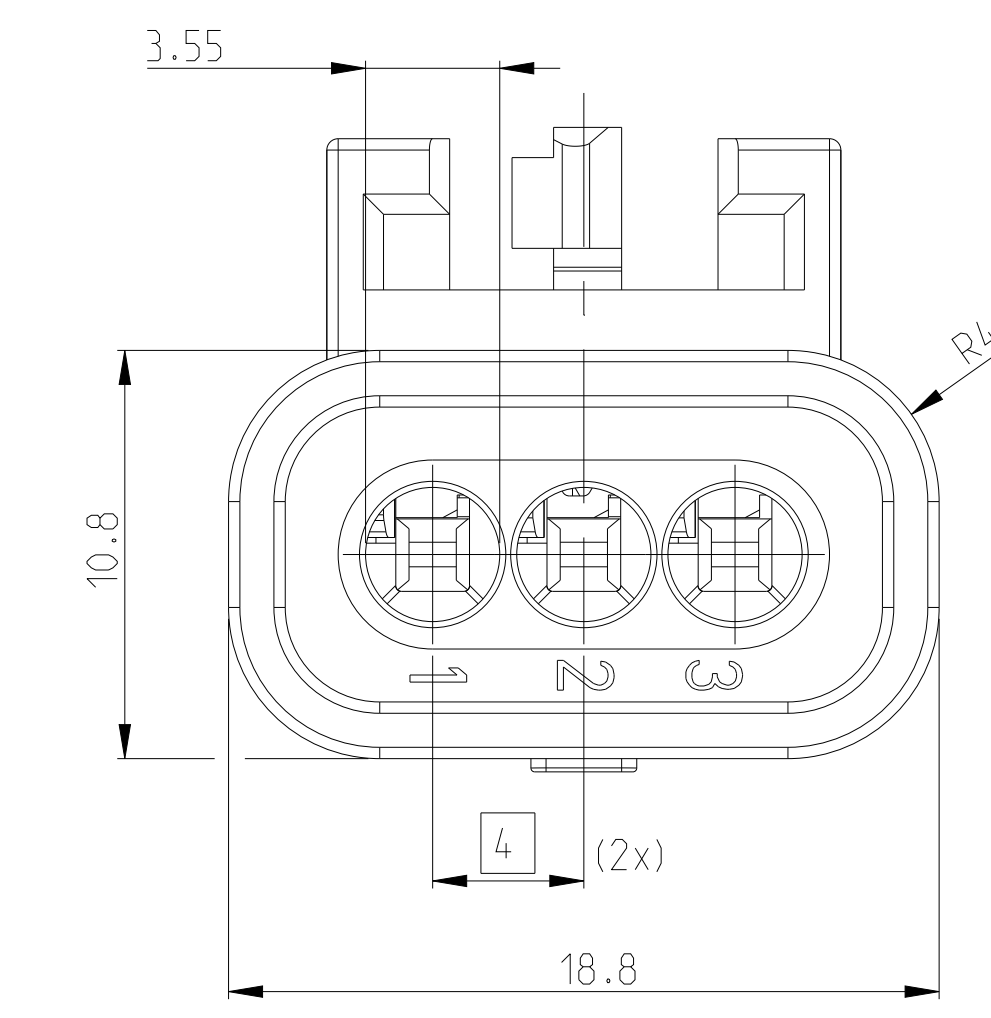


C
3-1703494-1

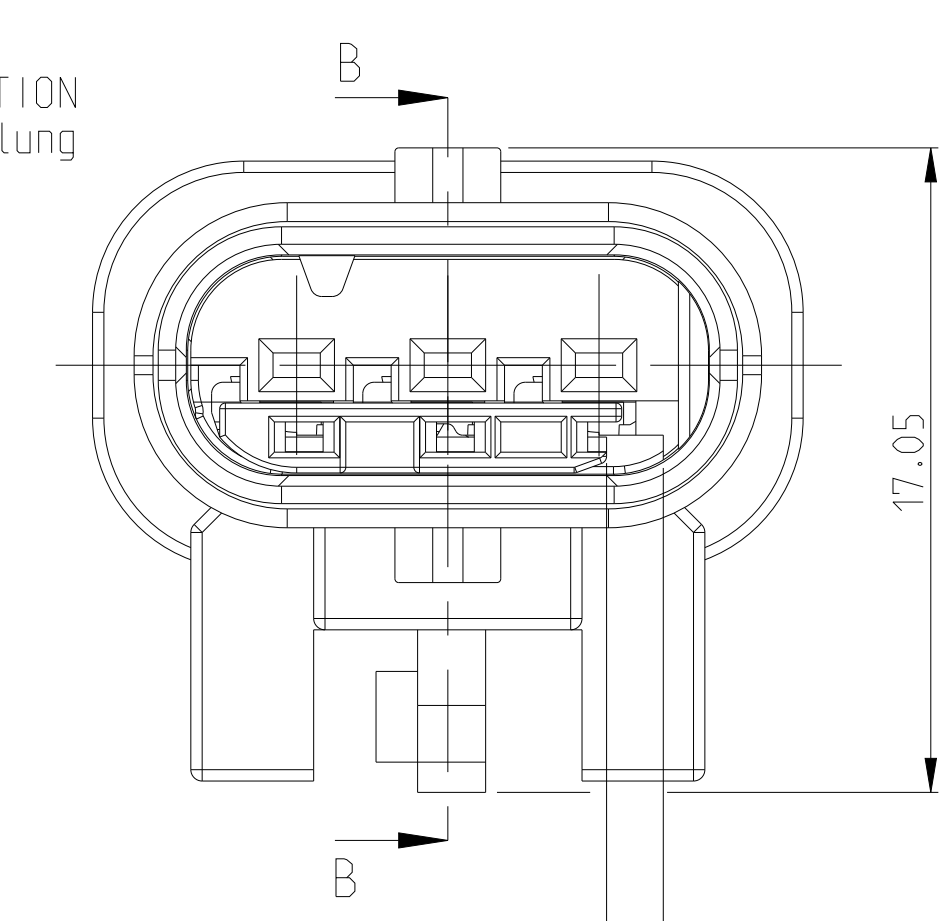


D
4-1703494-1

SHOWN 1-1703494-2

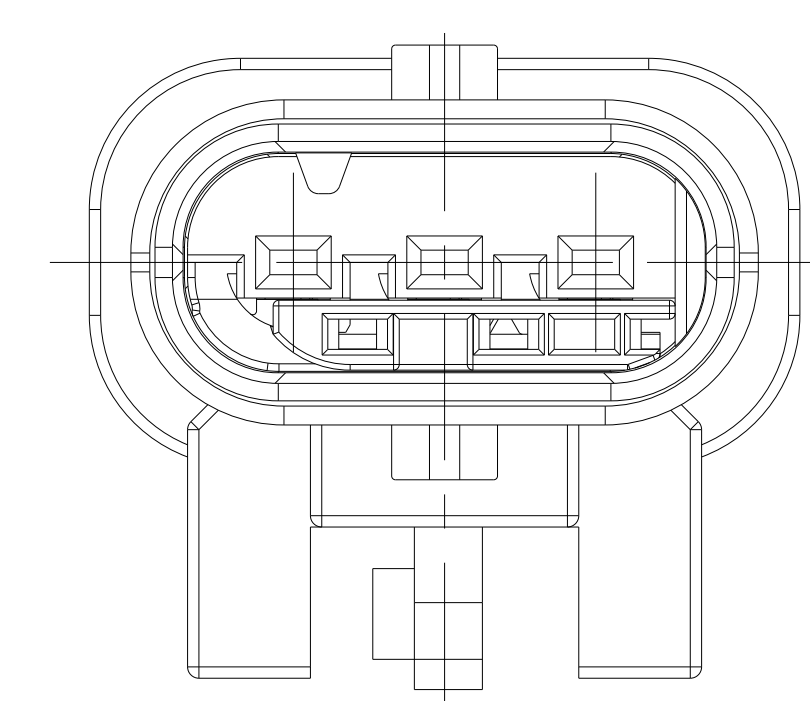


RETAINER IN PRE LOCKED POSITION
Kontaktsicherung in Vorraststellung

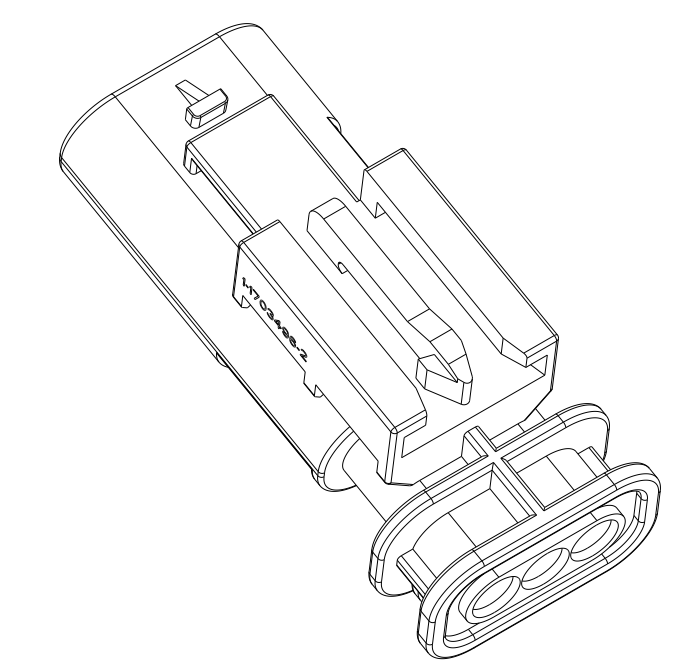


1.5mm RETAINER MOVING DISTANCE
1.5mm 2.KOSI. VERSCHIEBEWEG

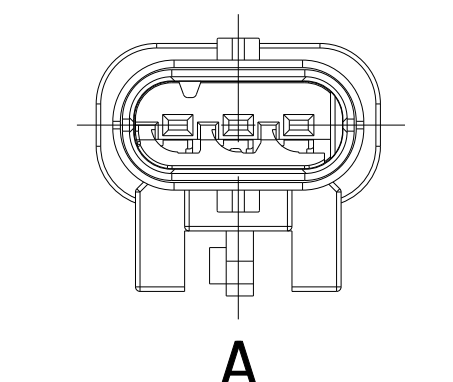
RETAINER IN FINAL LOCKED POSITION
2.Kontaktsicherung in Endraststellung



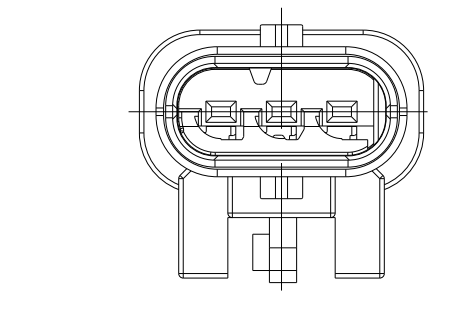
RETAINER MOVING DIRECTION
2.Kontaktsicherung Verschiebeweg



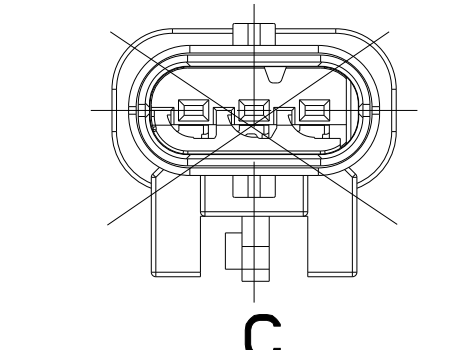
CODINGS KODIERUNGEN M 2:1



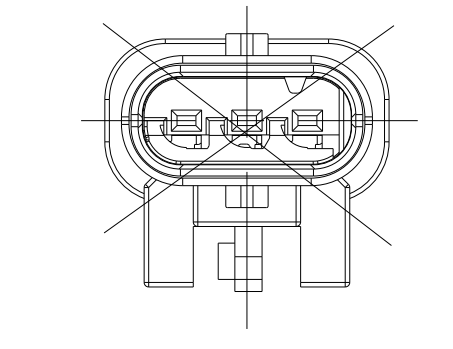
A
1-1703494-2



B
2-1703494-2



C
3-1703494-2



D
4-1703494-2

| TE - PN. TERMINALS | WIRE RANGE | TE - PN. SINGLE WIRE SEAL | TE - PN. BLIND PLUG |
|--------------------|----------------------------|---------------------------|---------------------|
| 1718756 | 0.14 - 0.22mm ² | 967067-2 | B2 |
| 1718758 | 0.25 - 0.35mm ² | 967067-2 | 967056-1 |
| 1718760 | 0.5 - 0.75mm ² | 967067-1 | |
| 1718762 | 1mm ² | 967067-1 | |

TERMINAL TE - APPLICATION SPEC.: 114-18464

| TE - PN. SUITABLE FEMALE HSG. PASSENDE BUCHSENGEHOE | TE - Bestell-Nr. ORDER-NO. | CODE | Benennung TITLE | ASSY REV. | QTY | Benennung Einzelteil TITLE | Werkstoff MATERIAL | Oberflaeche/Farbe SURFACE/C OLOUR | Pos. ITEM |
|---|----------------------------|------|--|-----------|-----|----------------------------|--------------------|-----------------------------------|-----------|
| - | 4-1703494-2 | D | Stiftgehaeuse 3pol. MALE HOUSING 3POS. | B | 1 | Kontaktsicherung RETAINER | PA66-GF35 | violett/VIOLET | 2 |
| - | 3-1703494-2 | C | Stiftgehaeuse 3pol. MALE HOUSING 3POS. | B | 1 | Stiftgehuese MALE HOUSING | PBT-GF30 | schwarz/BLACK | 1d |
| 2-1670947-1 | 2-1703494-2 | B | Stiftgehaeuse 3pol. MALE HOUSING 3POS. | B | 1 | Kontaktsicherung RETAINER | PA66-GF35 | violett/VIOLET | 2 |
| 1-1670917-1 | 1-1703494-2 | A | Stiftgehaeuse 3pol. MALE HOUSING 3POS. | B | 1 | Stiftgehuese MALE HOUSING | PBT-GF30 | grau/GREY | 1b |
| 2-1670917-1 | 6-1703494-1 | B | Stiftgehaeuse 3pol. MALE HOUSING 3POS. | B | 1 | Kontaktsicherung RETAINER | PA66-GF35 | violett/VIOLET | 2 |
| 2-1670917-1 | 2-1703494-4 | B | Stiftgehaeuse 3pol. MALE HOUSING 3POS. | B | 1 | Kontaktsicherung RETAINER | PA66-GF35 | violett/VIOLET | 2 |
| 1-1670917-1 | 1-1703494-4 | A | Stiftgehaeuse 3pol. MALE HOUSING 3POS. | B | 1 | Stiftgehuese MALE HOUSING | PBT-GF30 | gelb/YELLOW | 1b |
| - | 4-1703494-1 | D | Stiftgehaeuse 3pol. MALE HOUSING 3POS. | B | 1 | Kontaktsicherung RETAINER | PA66-GF35 | violett/VIOLET | 2 |
| - | 3-1703494-1 | C | Stiftgehaeuse 3pol. MALE HOUSING 3POS. | B | 1 | Stiftgehuese MALE HOUSING | PBT-GF30 | schwarz/BLACK | 1c |
| 2-1670917-1 | 2-1703494-1 | B | Stiftgehaeuse 3pol. MALE HOUSING 3POS. | B | 1 | Kontaktsicherung RETAINER | PA66-GF35 | violett/VIOLET | 2 |
| 1-1670917-1 | 1-1703494-1 | A | Stiftgehaeuse 3pol. MALE HOUSING 3POS. | B | 1 | Stiftgehuese MALE HOUSING | PBT-GF30 | grau/GREY | 1b |
| 1-1670917-1 | 1-1703494-1 | A | Stiftgehaeuse 3pol. MALE HOUSING 3POS. | B | 1 | Kontaktsicherung RETAINER | PA66-GF35 | violett/VIOLET | 2 |

| | | | | | | | |
|------------------|--------|---------------|----------------|----------------|--------|---------------|----------------|
| DATE: 10/2007 | REV: 1 | BY: J. RIDDER | CHK: J. RIDDER | DATE: 10/2007 | REV: 1 | BY: J. RIDDER | CHK: J. RIDDER |
| DIMENSIONS: (mm) | | | | MATERIAL: (mm) | | | |
| FINISH: (mm) | | | | WEIGHT: 4.93g | | | |
| SCALE: 5:1 | | | | SHEET: 1 OF 1 | | | |