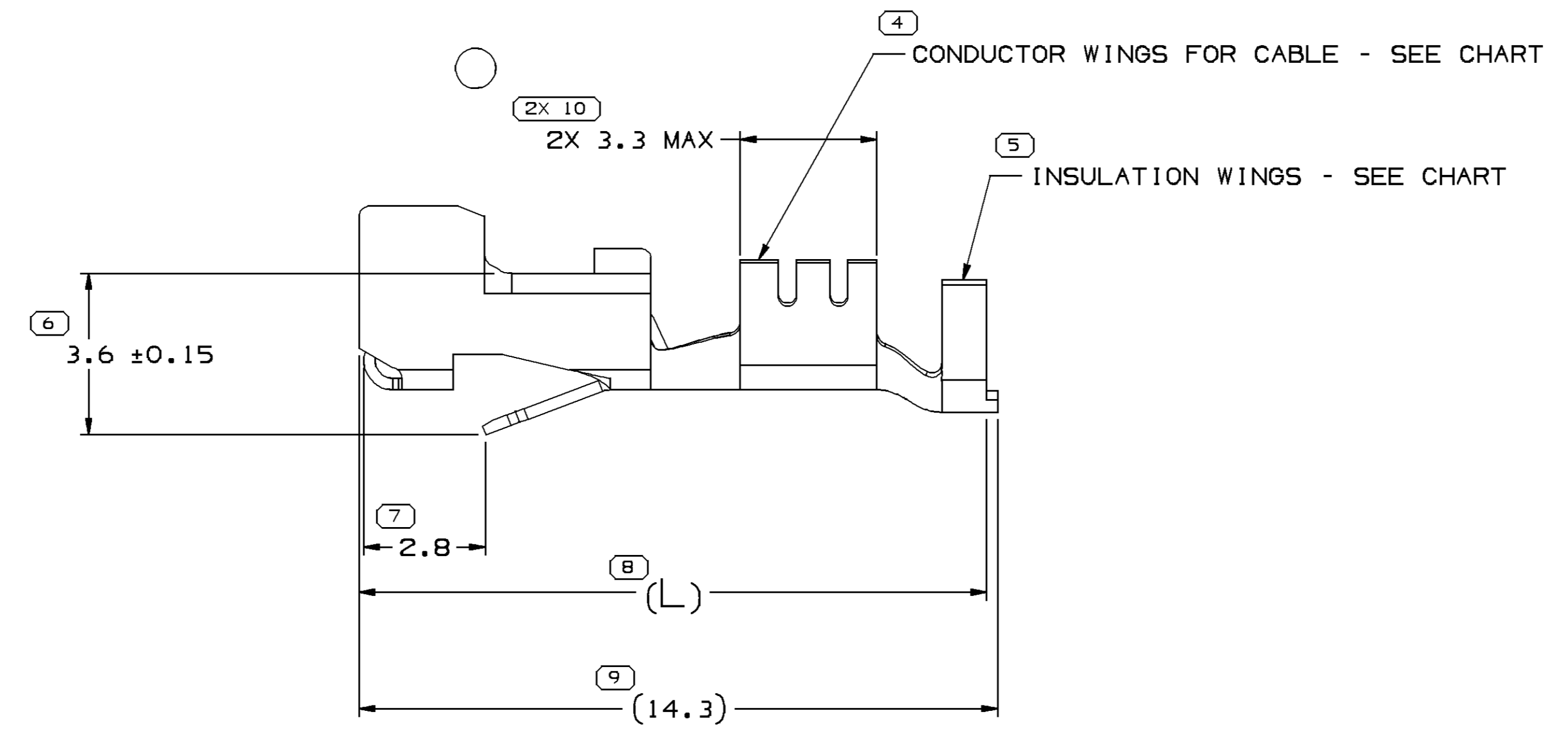
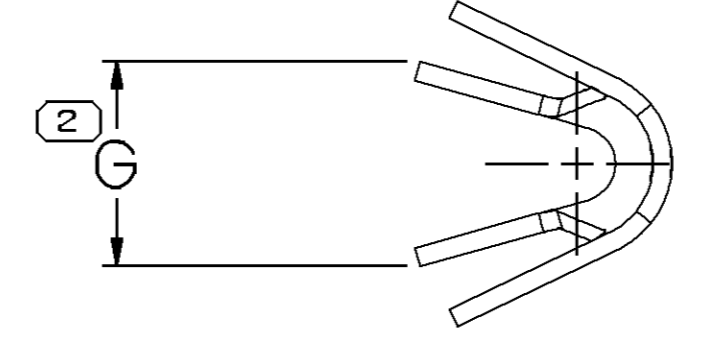
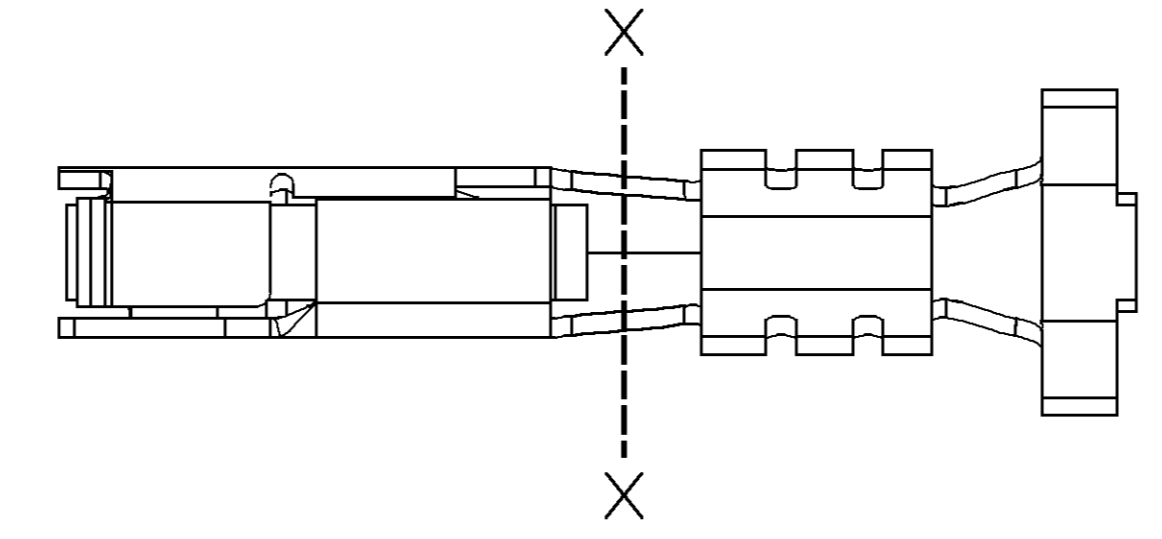
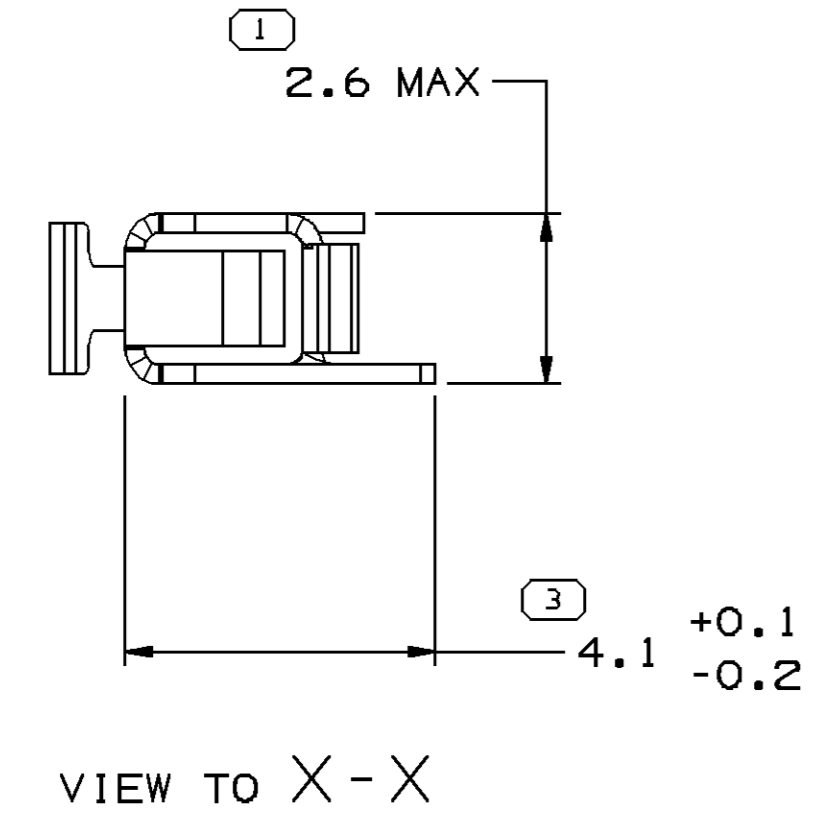
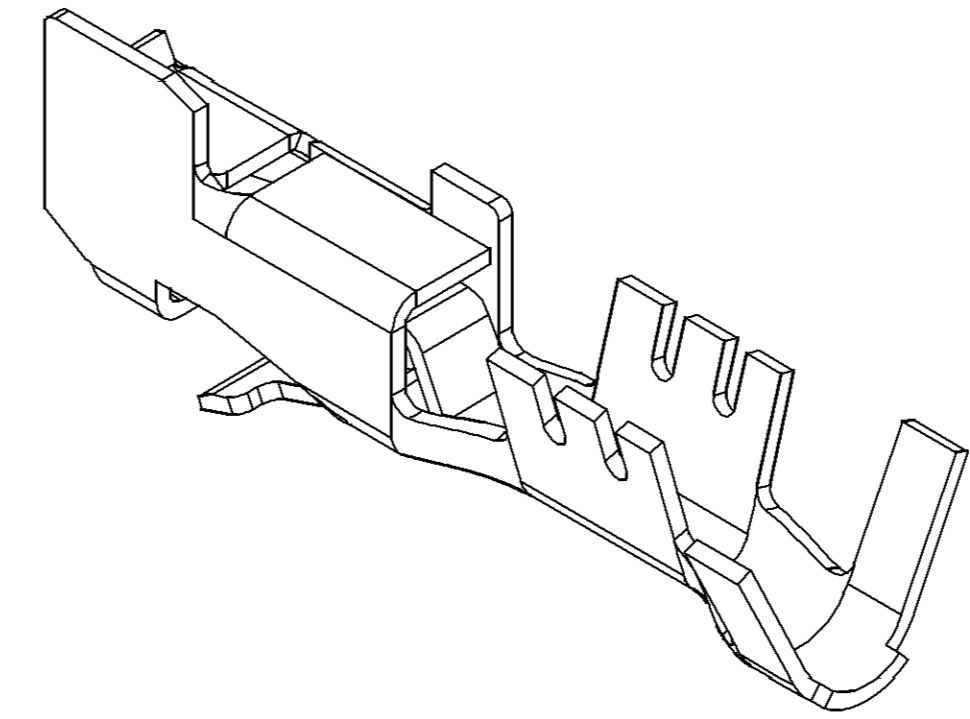


SYMBOL DEFINITION		MISSING SYMBOLS	
A DIMENSION WITHOUT AN INSPECTION REPORT SYMBOL ( ) DOES NOT REQUIRE INSPECTION. IT MAY BE CONTROLLED ON THE INDIVIDUAL COMPONENT DRAWING.	TOTAL NO OF INSPECTIONS REQUIRED	NO MISSING SYMBOL NUMBER	11
	LAST NO. USED		10

DWG STATUS				ZONE	REVISION HISTORY	AUTH	DR	APVD1	APVD2
DATE	STG	REV	N/P						
17DE01	R	05	-	-	CLEARED REV COL; ALL PARTS - REVISED TOLERANCE CRIMP WINGS	218778	AFM	EDV	GM
26FE04	R	06	-	-	ALL PARTS - CREATED SOLID MODEL	241869	RAO	EAR	BG
280C04	R	07	-	-	UPDATED PDM ATTRIBUTES	260569	MJM	MJM	BG
180C05	R	08	-	-	UPDATED PDM ATTRIBUTES	272913	EFS	JVM	BG
02AU06	R	09	-	-	ALL PARTS - ADDED 3.3 MAX DIM	283169	TLD	TLD	BG



NOTES

- UNLESS OTHERWISE SPECIFIED AND/OR INDICATED:  
DIMENSIONS ARE TO FACE OF VIEW SHOWN AND AUTOMATICALLY ROUNDED BY COMPUTER FOR INSPECTION (SEE MATH MODEL FOR PRECISE DIMENSIONS). FOR ALL OTHER DIMENSIONS NOT SHOWN BUT REQUIRED FOR TOOL BUILD, SEE MATH MODEL FOR PRECISE TOOL PATH DATA.

6 PROCESS SENSITIVE DIMENSION	
DIMENSIONS ENCLOSED IN ( ) INDICATE REFERENCE DIMENSIONS AND NO TOLERANCE LIMITS ARE ESTABLISHED	
DIMENSIONAL RANGE (MM)	CHART D
FROM 0	> 12
TO 12	
TOLERANCE UNLESS OTHERWISE SPECIFIED	
±0.1	±0.2
ANGULAR TOLERANCE ±2°	

DWG TYPE PART DRAWING	
STYLE	
VOLUME (CPI)	DISTR CODE D
UNLESS OTHERWISE SPECIFIED THIS DOCUMENT IS IN ACCORDANCE WITH ASME Y14.5M-1994 AS AMENDED BY THE GM GLOBAL DIMENSIONING AND TOLERANCING ADDENDUM - 1997. ALL GEOMETRIC TOLERANCES AND RELATED DATUMS APPLY RFS. RULE #1 (PERFECT FORM AT MMC) DOES NOT APPLY WHEN RELATIONSHIP BETWEEN FEATURES IS ESTABLISHED BY ORIENTATION OR LOCATION TOLERANCES. SEPARATE POSITION CALLOUTS MAY BE GAGED SEPARATELY, REGARDLESS OF DATUM REFERENCE. ALL DIMENSIONS ARE IN MILLIMETERS	
THIRD ANGLE PROJECTION	DO NOT SCALE USE MATH DATA
UNIGRAPHICS	

**DELPHI**  
DELPHI PACKARD ELECTRIC SYSTEMS  
WARREN, OH

DR	DATE
APVD1 J. VAZQUEZ	08FE96
APVD2 A. UGALDE G.	15JA96
APVD3 A. UGALDE G.	15JA96
APVD4	
APVD5	

SUBSTANCES OF CONCERN AND RECYCLED CONTENT PER DELPHI 10949001

MATERIAL  
SEE CHRT

DRAWING NAME  
TAXI TERM F M/P 150.2 TANG

DRAWING NUMBER  
12124077

SIZE	SCALE	FRAME NO	SHEET NO	STG	REV	N/P
A1	10:1	1 OF 1	2 OF	R	09	-

PART NO	REV/N/P	STATUS	MAT'L SIZE	MAT'L SPEC	PART NO	REV/N/P	STATUS	MAT'L SPEC	SIZE (MM²)	DIA	ID
			0.254 X 26.97		12191054	03	AE	M3660BNB	0.5-.035	2.2-1.3	21
			0.254 X 26.97		12176860	03	AE	M3660BNB	1-0.8	2.4-2.03	17
											G±0.2
											L