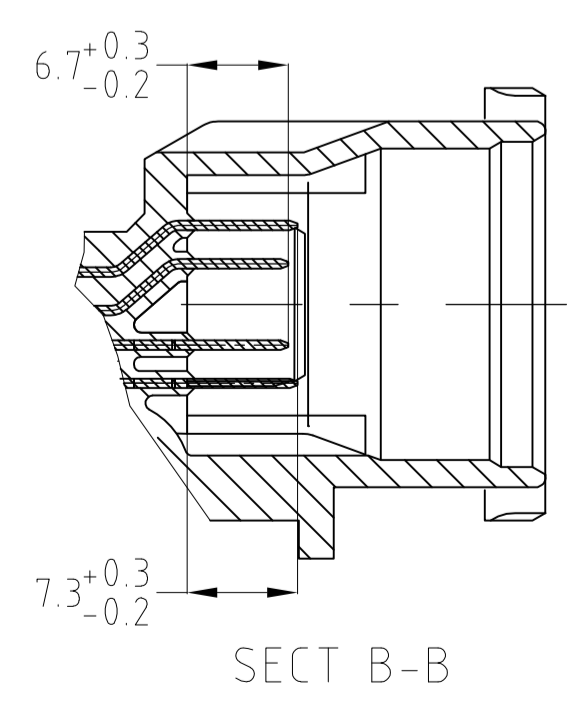
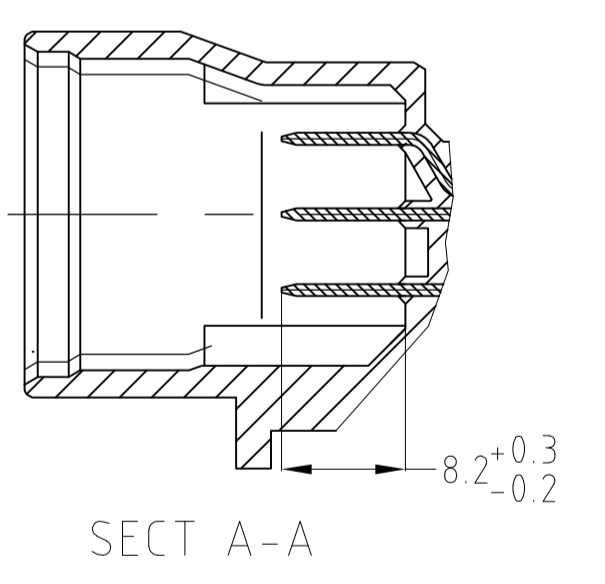
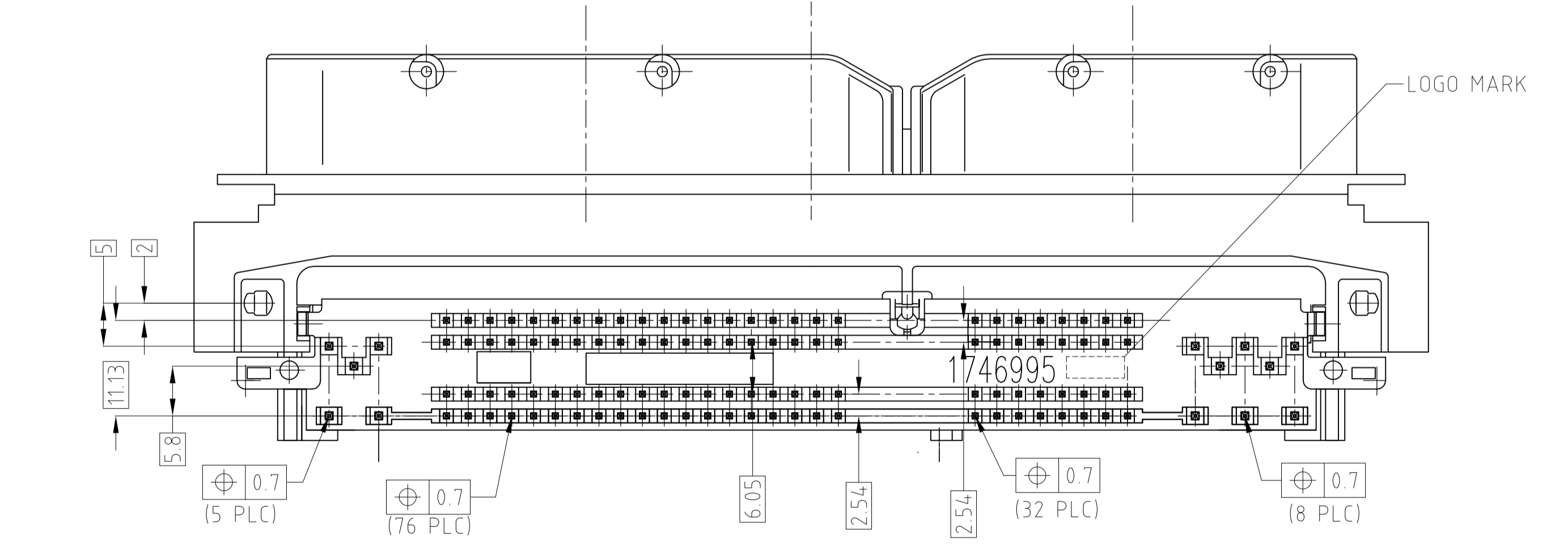
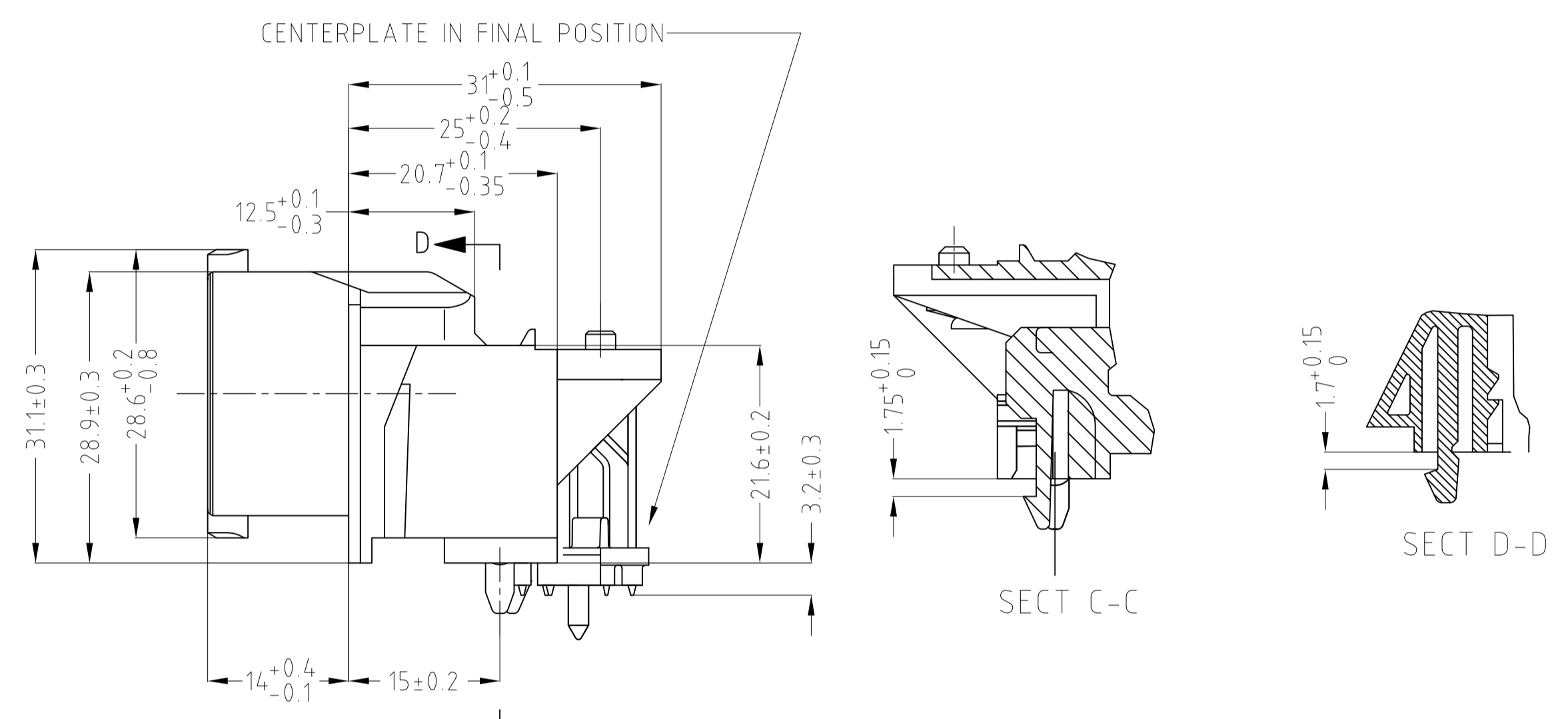
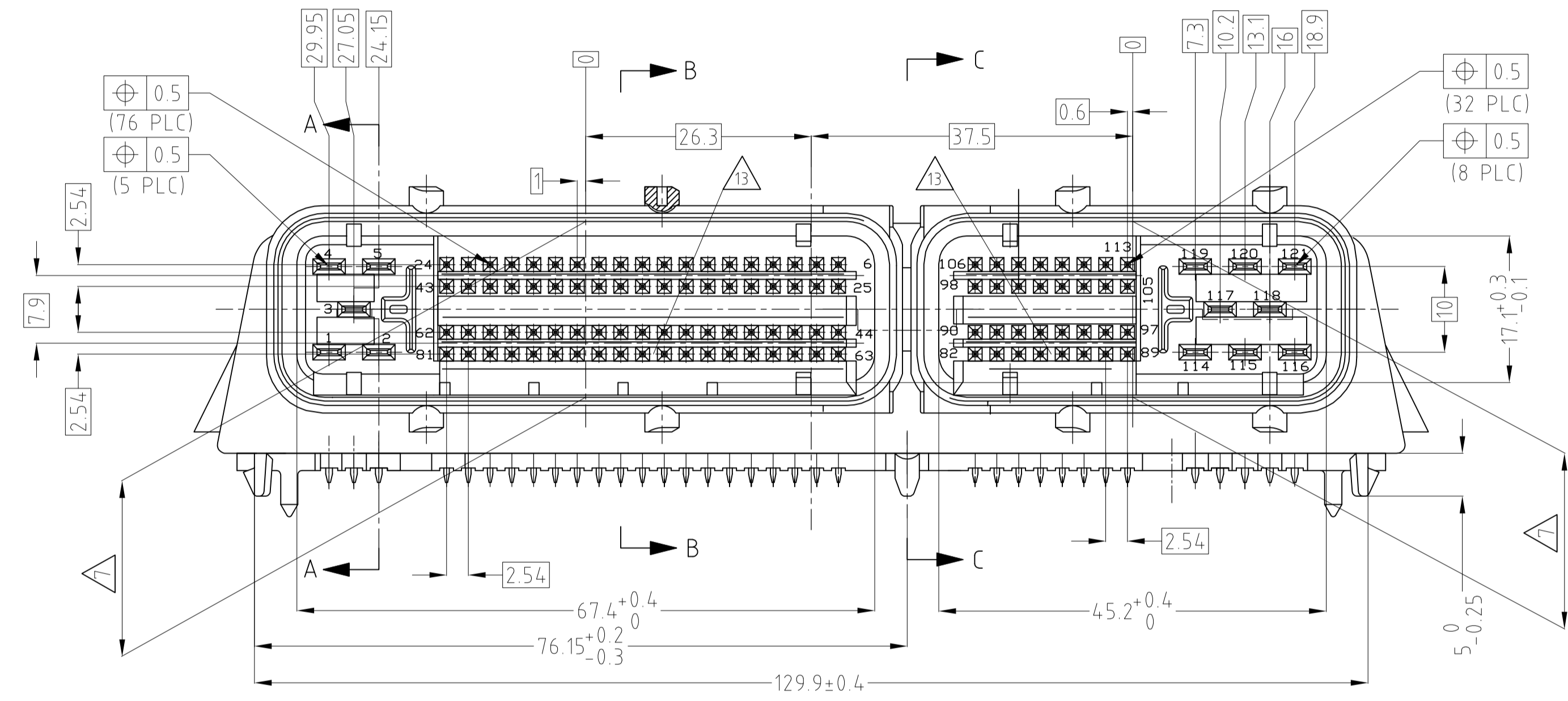
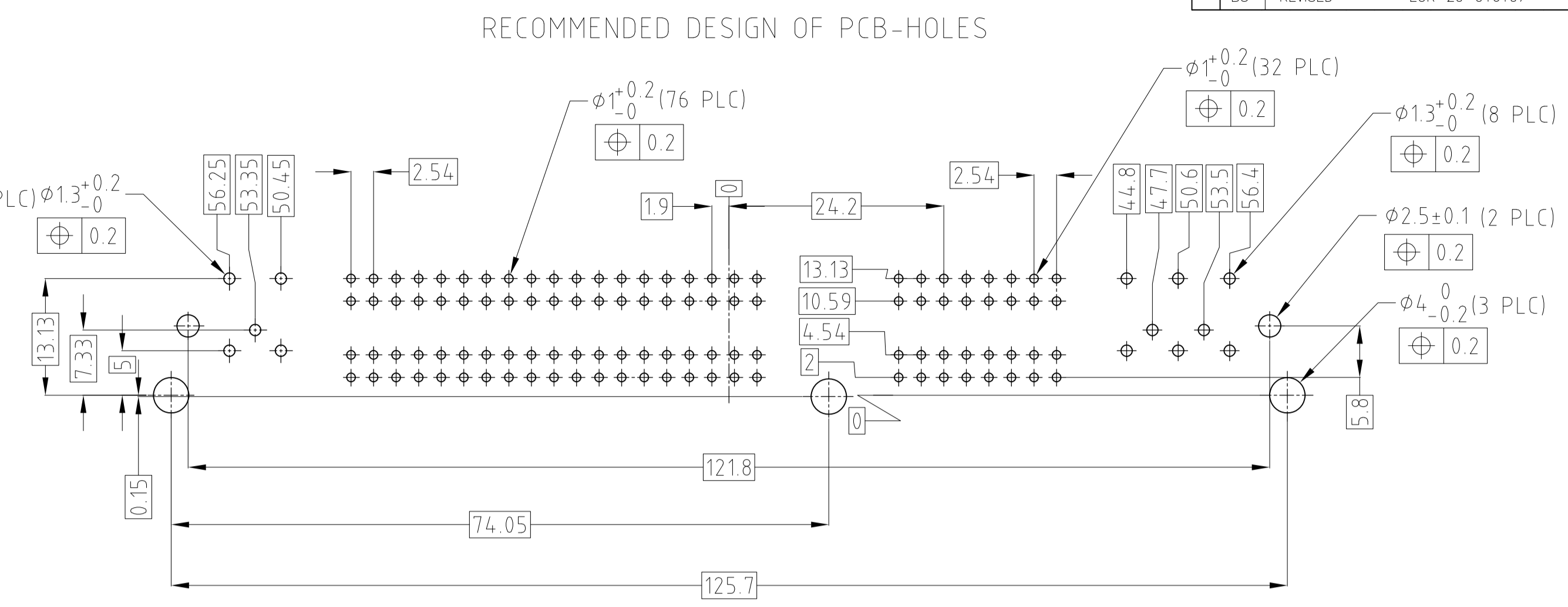
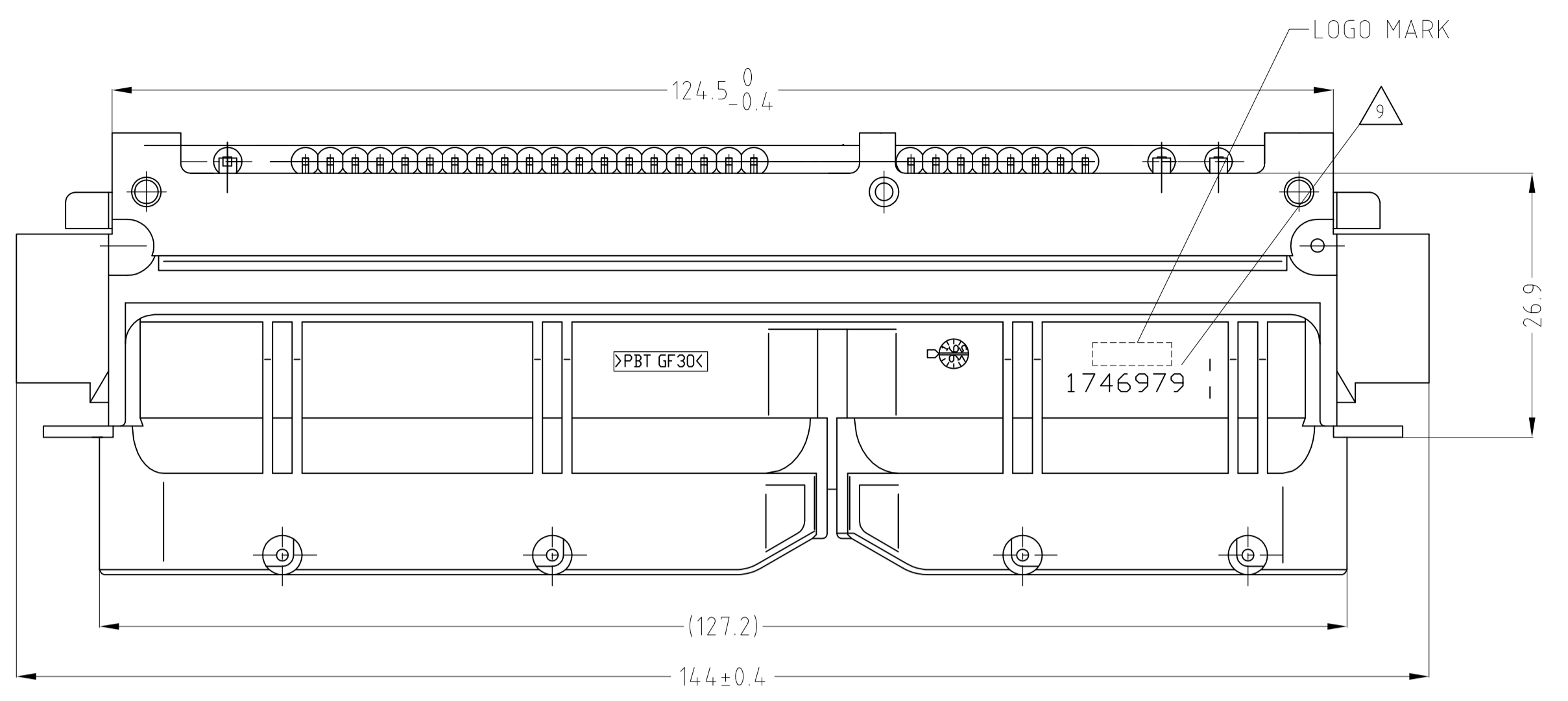
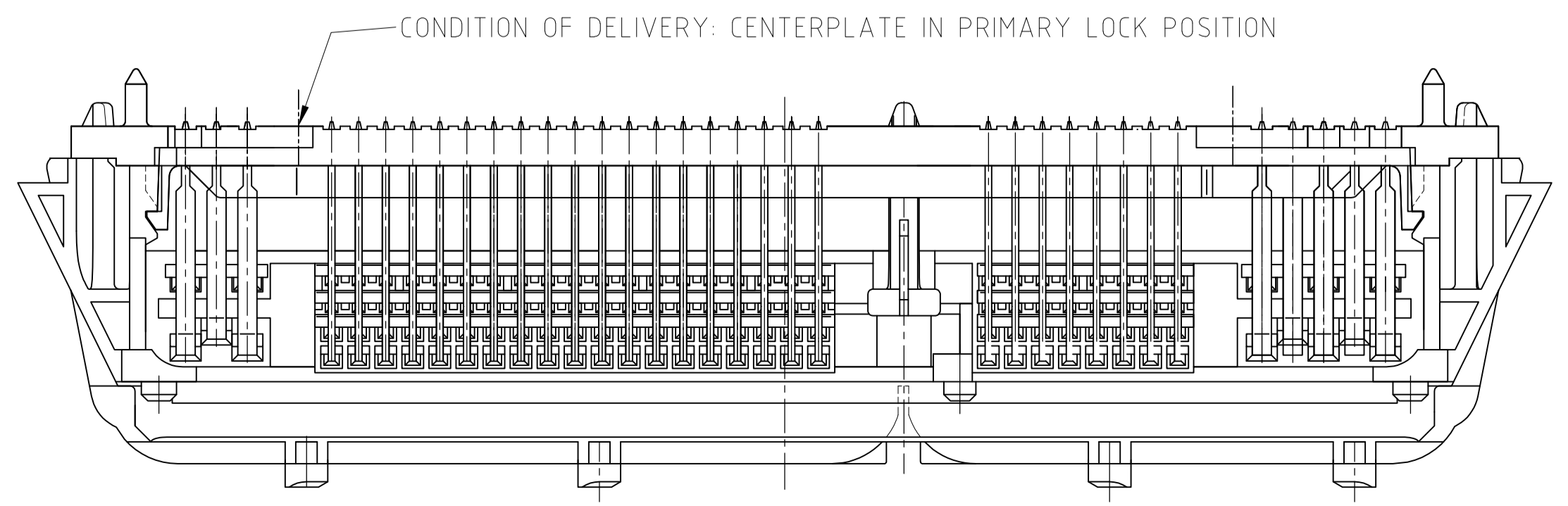


REVISIONS				
REV	DATE	DESCRIPTION	BY	CHK
B3	18NOV2020	REVISOR ECR-20-016107	DM	RK



- 注:
- △ピン  $\phi 0.63$ : 銅下地  $0.5\mu\text{m}$  以上
  - △ピン  $\phi 0.63$ : 鍍めつき  $2.0\text{--}4.0\mu\text{m}$
  - △タブ  $2.8 \times 0.8$ : ニッケル下地  $1.3\mu\text{m}$  以上  
タブ  $2.8 \times 0.8$ : 半田めっき  $2.0\text{--}4.0\mu\text{m}$
  - 4. ピン  $\phi 0.63$ : 保持力 40 N 最小
  - △タブ  $2.8 \times 0.8$ : 保持力 80 N 最小
  - △嵌合面側ゲージ No.: 90-244629/90-244630
  - 7. ソリは  $+0.2/-0.6\text{ mm}$  許容される
  - △寸法及び公差は、センタープレート プリアッセンブリ時のみ適用
  - △TE型番はシート2枚目参照
  - 10. コントクトの半田付部及び嵌合側突出量、形状及び位置の測定は、ゲージNo. 90-244 738を用いる
  - 11 はんだ特性は、DIN IEC 68, TEIL 2-20による
  - △嵌合相手は、TABLE 2 参照
  - △製造用の参照箇所
  - △BYD Auto Co.,Ltdのみ適用 (RECEPTACLE-HOUSING 40P:368383-1, 81P:368376-1)

- NOTES
- △ PIN  $\phi 0.63$ : OVER COPPER PLATING  $0.5\mu\text{m}$  MIN
  - △ PIN  $\phi 0.63$ : TIN PLATING  $2.0\text{--}4.0\mu\text{m}$
  - △ TAB  $2.8 \times 0.8$ : OVER NICKEL PLATING  $1.3\mu\text{m}$  MIN  
POST-TINPLATED  $2.0\text{--}4.0\mu\text{m}$
  - △ PIN  $\phi 0.63$ : AXIAL RESISTANT FORCE MIN. 40N
  - △ TABS  $2.8 \times 0.8$ : AXIAL RESISTANT FORCE MIN. 80N
  - 6 MATING GAUGE FOR MATING-SIDE:  
Mr.: 90-244629/90-244630
  - △ MOULD DEPENDING WAREPAGE OF  $+0.2/-0.6\text{ mm}$  PERMITTED
  - △ DIMENSIONS AND TOLERANCE OF FORM AND POSITION OF THE PIN-AND TAB-ENDS ARE VALID ONLY WITH PREASSEMBLED CENTERPLATE
  - △ TE-PART-NO. ACC. TO SHEET 2
  - 10 FOR MEASURING THE CONTACT PROTRUSIONS OF THE SOLDER-SIDE, MATINGSIDE AND THE TOLERANCES OF FORM AND POSITION THE MEASURING APPLIANCE NO. 90-244 738 IS TO BE EMPLOYED
  - 11 SOLDERABILITY ACC. TO DIN IEC 68, TEIL 2-20
  - △ SUITABLE CONNECTING HOUSINGS ACC. TO TABLE 2
  - △ REFERENCE POINT FOR STITCHING DIMENSION
  - △ Shenzhen BYD Auto Co.,Ltd ONLY (RECEPTACLE-HOUSING 40P:368383-1 81P:368376-1)



THIS DRAWING IS A CONTROLLED DOCUMENT.

DIMENSIONS: 単位: 寸	TOLERANCES UNLESS OTHERWISE SPECIFIED: 一般公差	DIN D. MATSUJIRA	OBAPR04
$\phi$	0 PLC ±0.1 1 PLC ±0.1 2 PLC ±0.1 3 PLC ±0.1 4 PLC ±0.1	CHK T. KOHNO	OBAPR04
MATERIAL	ANGLES	APVD K. SHIMIZU	OBAPR04
FINISH 柱上		NAME 名称	
ANGLE 2°		PRODUCT SPEC 製品規格	
		APPLICATION SPEC 取付適用規格	
		WEIGHT 73g	
		SIZE A1	
		CAGE CODE 00779	
		DRAWING NO. 1746979	
		CUSTOMER DRAWING	
		SCALE 2:1	
		SHEET 1 of 2	
		REV B3	

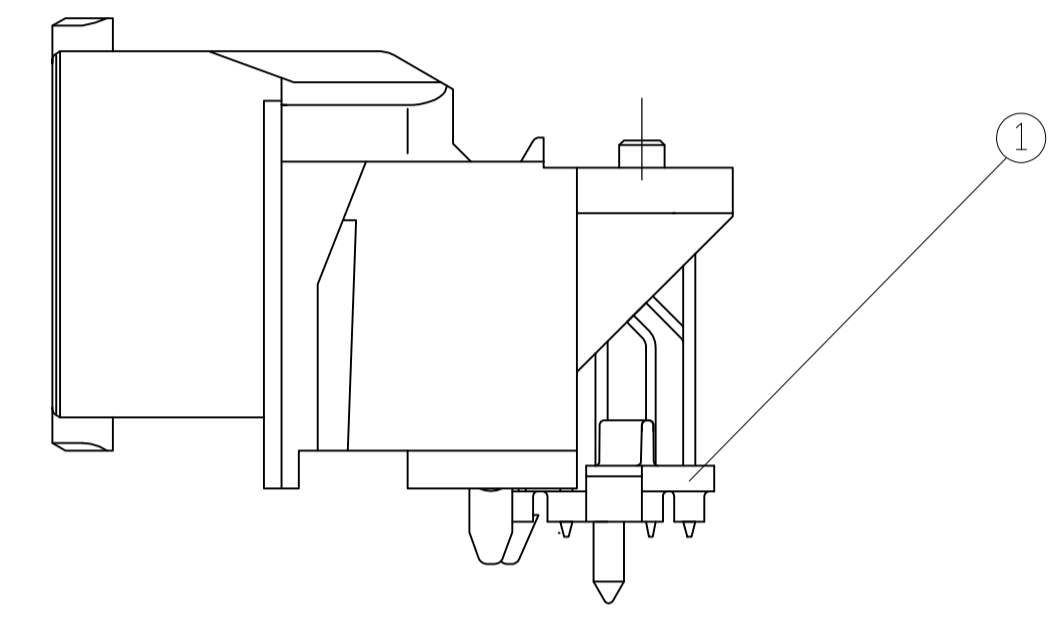
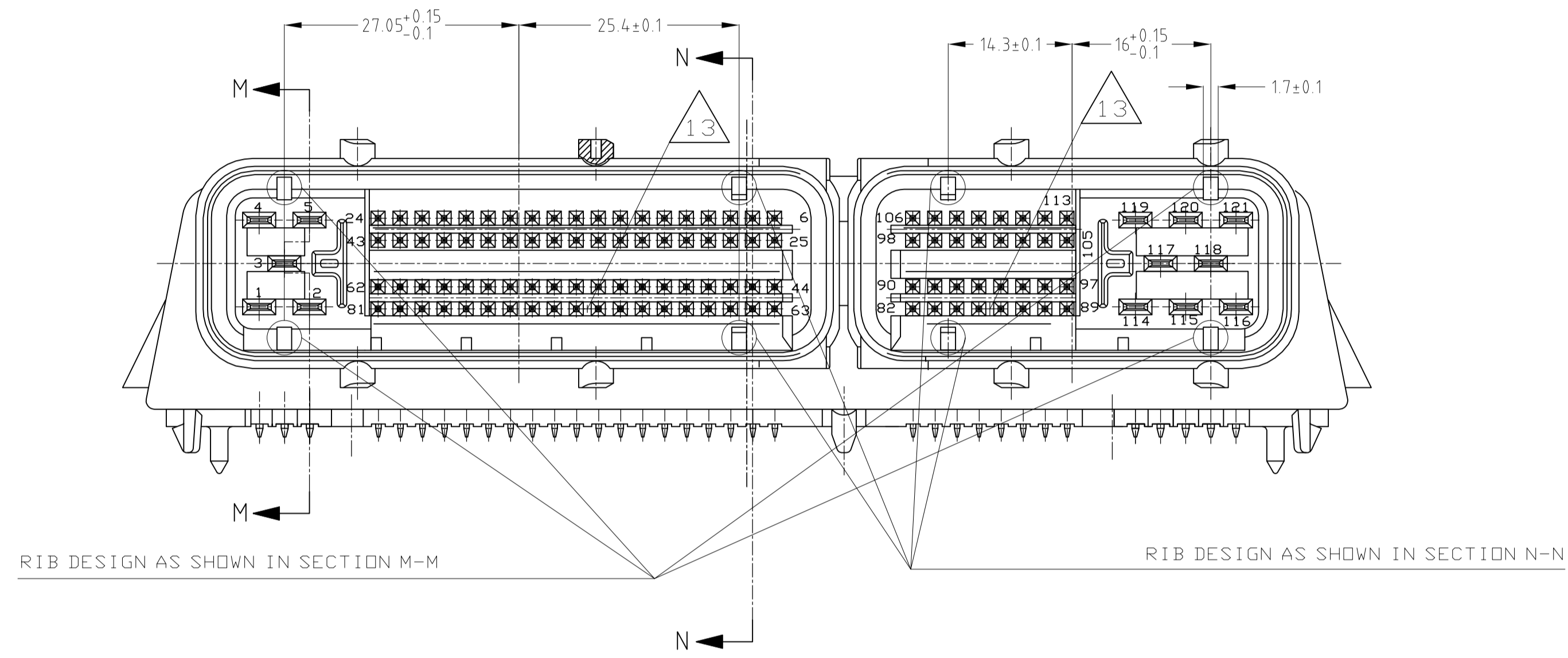
WIRE RANGE 結合電線番番種 INSULATION DIA 絶縁径

STE TE Connectivity

PIN-/TAB 2.8x0.8-HEADER, 108/13 POSN., TSMT/JPT

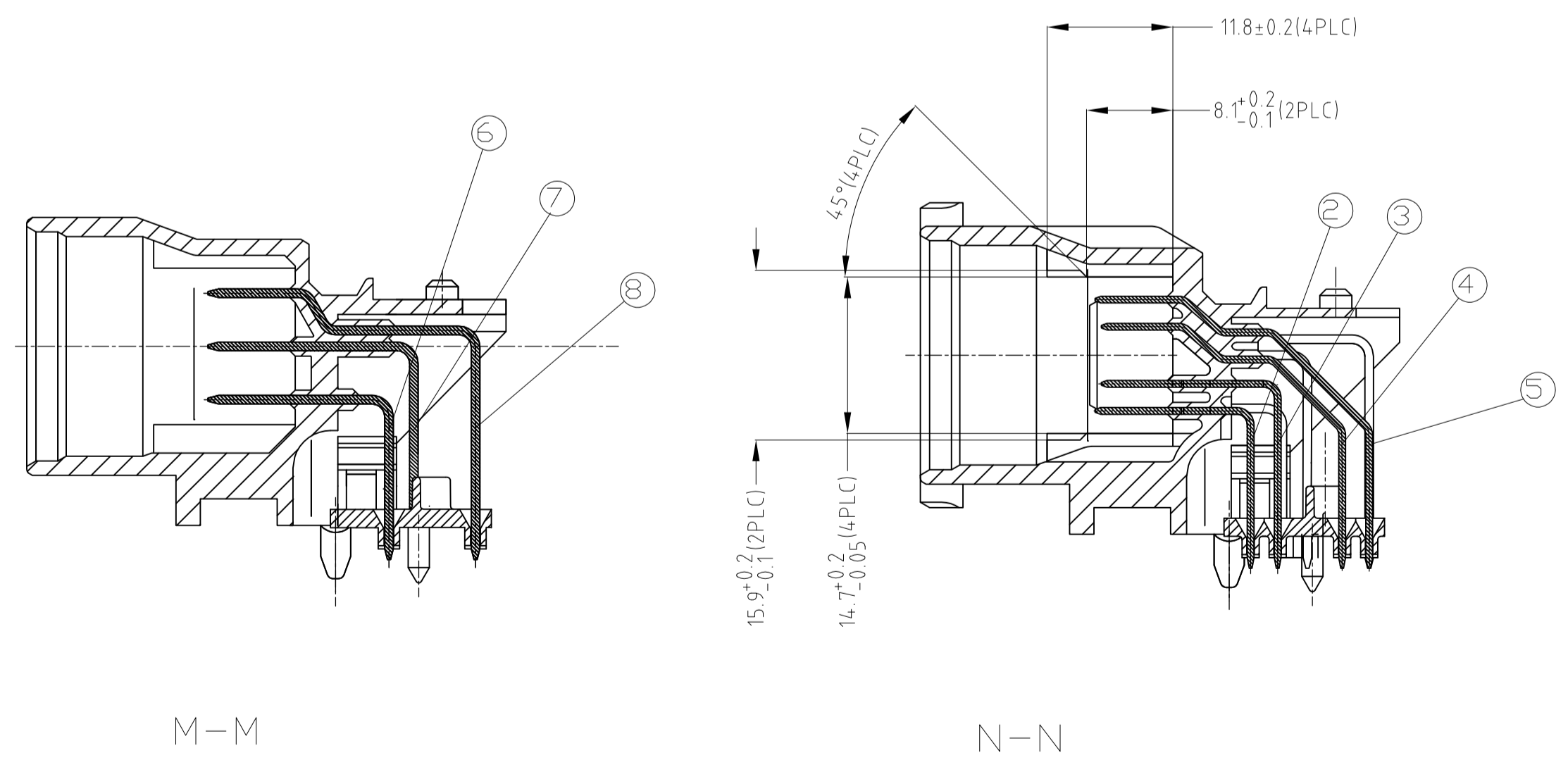
REVISIONS				
P	LTR	DESCRIPTION	DATE	OWN
-	-	SEE SHEET 1	-	-

1746979-1 CODING A  
AS SHOWN  
SHOWN WITHOUT CENTERPLATE



RIB DESIGN AS SHOWN IN SECTION M-M

RIB DESIGN AS SHOWN IN SECTION N-N



M-M

N-N



PIN-/TAB-HEADER	SUITABLE-RECEPTACLE-HOUSINGS	
	40 POSN. TE-PART-NO.	81 POSN. TE-PART-NO.
1746979-1	1473252-1	1473244-1
1746979-1	368383-1	368376-1

REVISION CODING	Q	Q
1746979-1	A	A

ORDER-NO	ITEM NO	QTY.	SINGLE-PART-NO	REV.	SINGLEPART	DESCR.	MATERIAL
X	X	8	5	1743145-6	B	TAB 2. 8X0. 8J LONG	CuSn 6
X	X	7	3	1743145-4	C	TAB 2. 8X0. 8J MIDDLE	CuSn 6
X	X	6	5	1743145-2	C	TAB 2. 8X0. 8J SHORT	CuSn 6
X	X	5	27	1-1743233-2	B	PIN 00. 63 J LONGEST	CuSn 6
X	X	4	27	1-1743233-1	B	PIN 00. 63 J LONG	CuSn 6
X	X	3	27	1743187-4	D	PIN 00. 63 J MIDDLE	CuSn 6
X	X	2	27	1743187-3	D	PIN 00. 63 J SHORT	CuSn 6
X		1	1	1746995	D	CENTER-PLATE	PBT GF. 30

THIS DRAWING IS A CONTROLLED DOCUMENT.

WIRE RANGE: 符合國際標準規格 INSULATION DIA: 符合國際標準規格

DIN: D. MATSUJURA OAPR04  
CHK: T. KOHNO OAPR04  
APVD: K. SHIMIZU OAPR04  
NAME: K. SHIMIZU  
PRODUCT SPEC: 製品規格  
APPLICATION SPEC: 取付適用規格

SIZE: A1 CAGE CODE: 00779 DRAWING NO: 1746979 RESTRICTED TO: -  
WEIGHT: 73g SCALE: 2:1 SHEET: 2 OF 2 REV: B3

CUSTOMER DRAWING

TOLERANCES UNLESS OTHERWISE SPECIFIED:  
mm  
0 PLC ±0.1  
1 PLC ±0.1  
2 PLC ±0.1  
3 PLC ±0.1  
4 PLC ±0.1  
ANGLES ±0.5

TOLERANCES UNLESS OTHERWISE SPECIFIED:  
mm  
n. ISO 8015  
n. ISO 2768 - mH - E  
n. DIN 16901 - 140  
ANGLE: ±2°