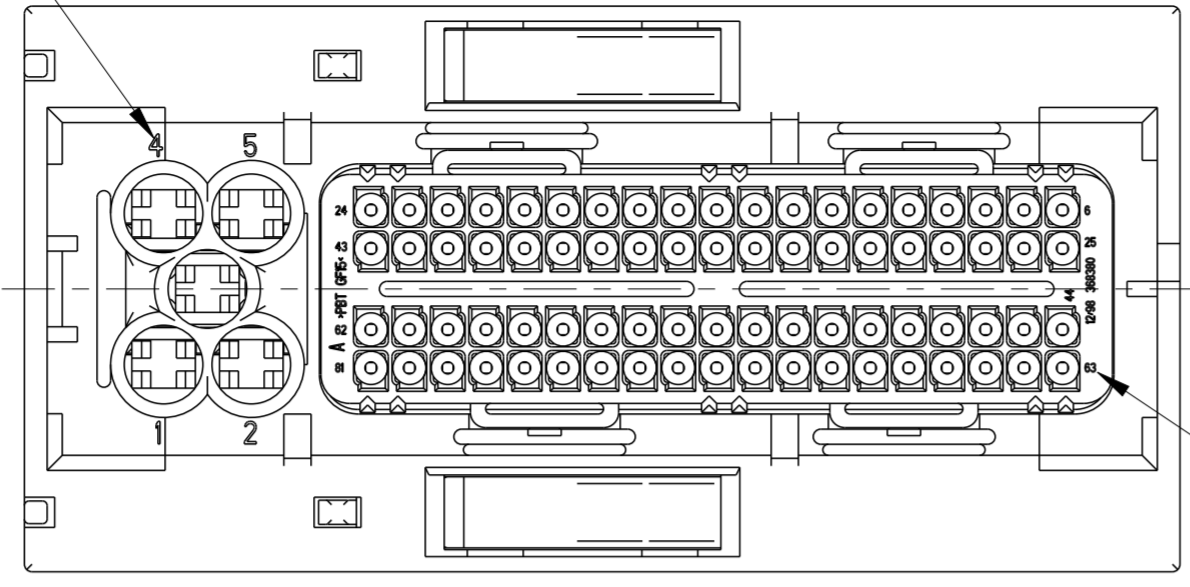


THIS DRAWING IS UNPUBLISHED. RELEASED FOR PUBLICATION 20
 © COPYRIGHT 20 ALL RIGHTS RESERVED.

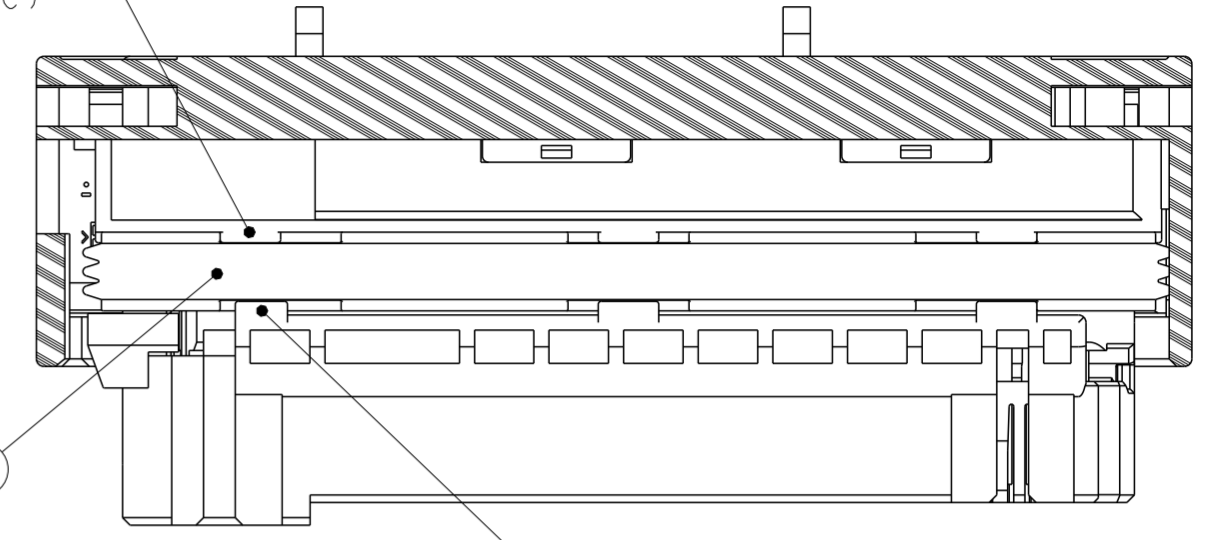
REVISIONS								
LOC	REV	P	LTR	DESCRIPTION	ECN	DATE	DWN	APVD
J	X							
	B6			REVISED	ECR-21-003932	19MAY2021	DM	RK
	B7			REVISED	ECR-21-121320	19NOV2021	DM	RK
	B8			REVISED	ECR-23-167493	27FEB2023	DM	RK
	B9			REVISED	ECR-23-181818	20JUL2023	AY	RK

CIRCUIT NUMBER



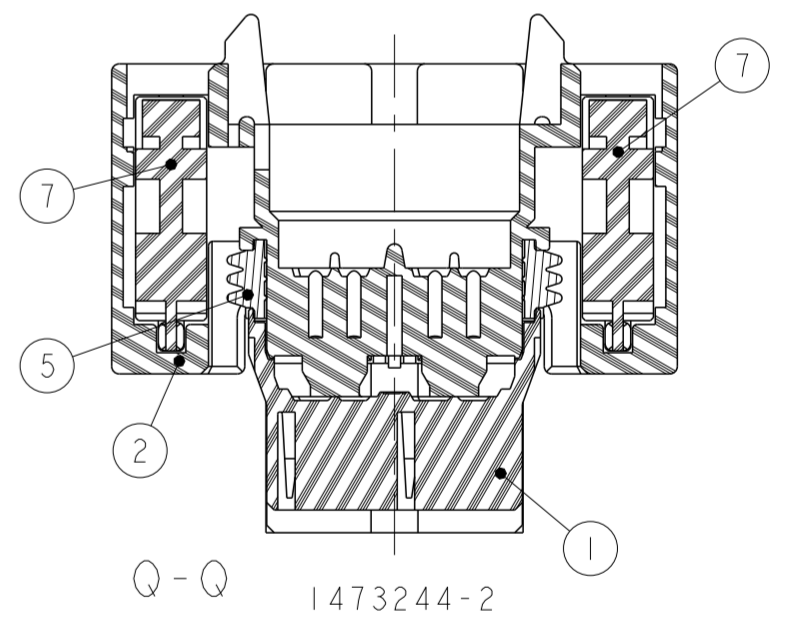
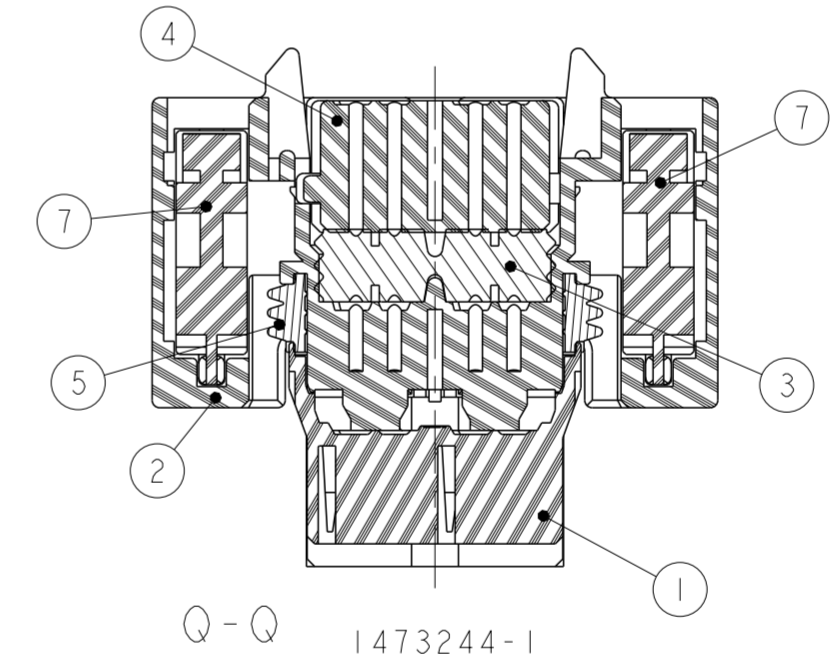
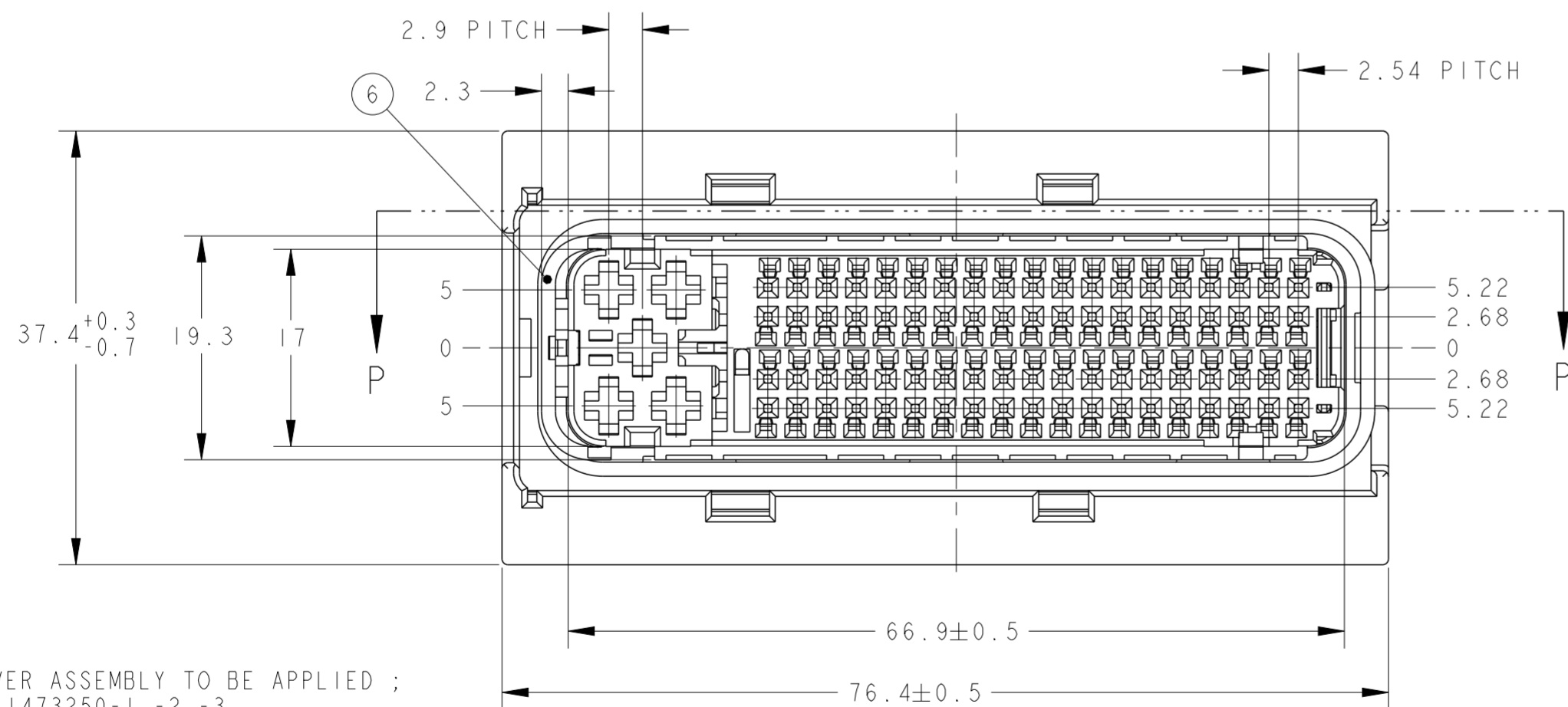
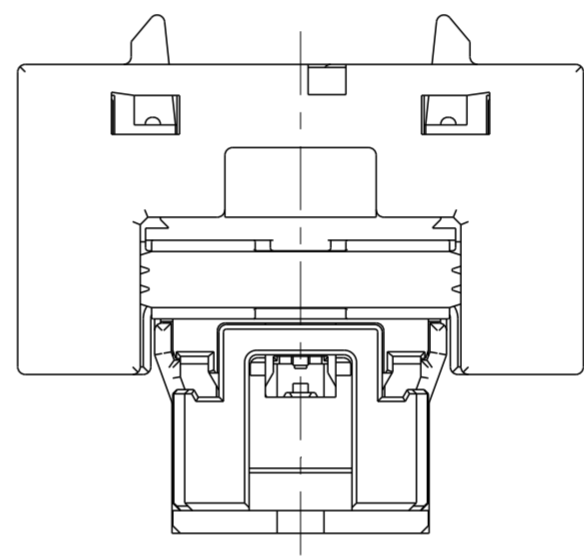
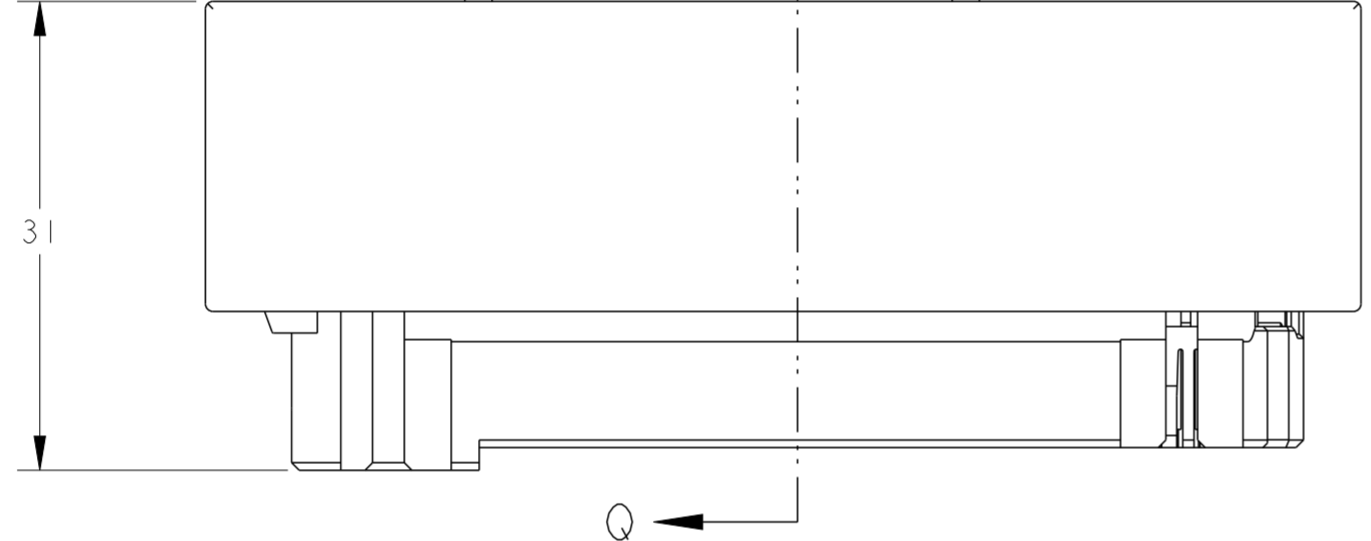
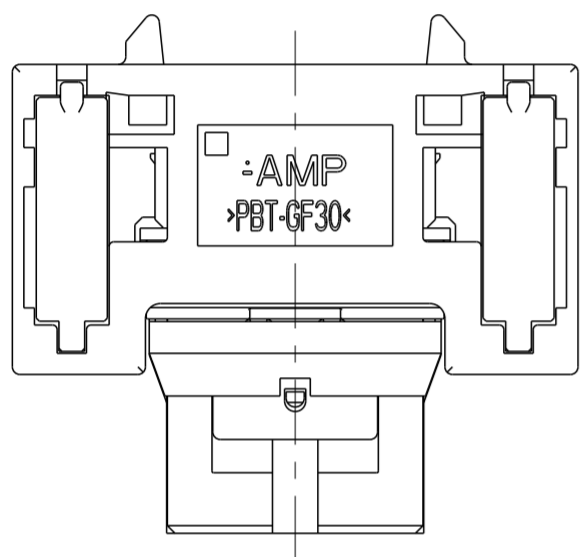
BOSS OF MAIN CAVITY BLOCK. IT HOLD A PERIPHERAL SEAL. (8PLC)

CIRCUIT NUMBER



BOSS OF FRONT CAVITY BLOCK. IT HOLD A PERIPHERAL SEAL. (6PLC)

P-P



- PART NUMBER OF LEVER ASSEMBLY TO BE APPLIED ; P/N 1473247-1, -2, 1473250-1, -2, -3
- PART NUMBER OF MQS RETAINER TO BE APPLIED ; P/N 368382-1
- APPLIED TERMINAL ; SEE TABLE-1
- PART NUMBER OF CAP HOUSING TO BE MATED ; P/N 1241434-1, 1746979-1
- INSTRUCTION SHEET NO ; 411-78008

TABLE-1

CONTACT	MQS		JPT		
PART NUMBER	5-968220-1	5-968221-1	964282-2	964286-2	964273-2
WIRE SIZE (mm ²)	0.5	0.75	0.2~0.5	0.5~1.0	>1.0~2.5

SEE DRAWING 1473244-3	2	2	PA66	SLIDER	BLACK	7
	1	1	PBT	JPT RETAINER	YELLOW	6
	1	1	SILICONE	PERIPHERAL SEAL	ORANGE	5
	-	1	PBT	SEAL RETAINER	BLACK	4
	-	1	SILICONE	76POS FAMILY SEAL	ORANGE	3
	1	1	PBT	MAIN CAVITY BLOCK	BLACK	2
	1	1	PA66	FRONT CAVITY BLOCK	BLACK	1
	-3	-2	-1	MATERIAL	PART NAME	FINISH/COLOR NO

THIS DRAWING IS A CONTROLLED DOCUMENT.

DIMENSIONS: 単位: 尺 (mm)

TOLERANCES UNLESS OTHERWISE SPECIFIED: 一般公差 = ±0.3

0-PLC ±0.5
 1-PLC ±0.5
 2-PLC ±0.13
 3-PLC ±0.013
 4-PLC ±0.0001
 ANGLES ±3°00'

MATERIAL 材料: SEE TABLE
 FINISH 仕上: SEE TABLE

DWN: Y. KAWAHARA 10OCT2001
 CHK: N. SAI 10OCT2001
 APVD: K. SHIMIZU 10OCT2001

PRODUCT SPEC: 108-5793
 APPLICATION SPEC: 114-18021, 114-18050

WEIGHT: 46.5g

NAME: PLUG HOUSING ASSY
 SEALD 8IPOS. PLUG HSG MQS CLEAN BODY/JPT

SIZE: A2
 CAGE CODE: 00779
 DRAWING NO: C-1473244

RESTRICTED TO: [X]

CUSTOMER DRAWING
 SCALE 尺度: 2:1
 SHEET 1 OF 1
 REV B9