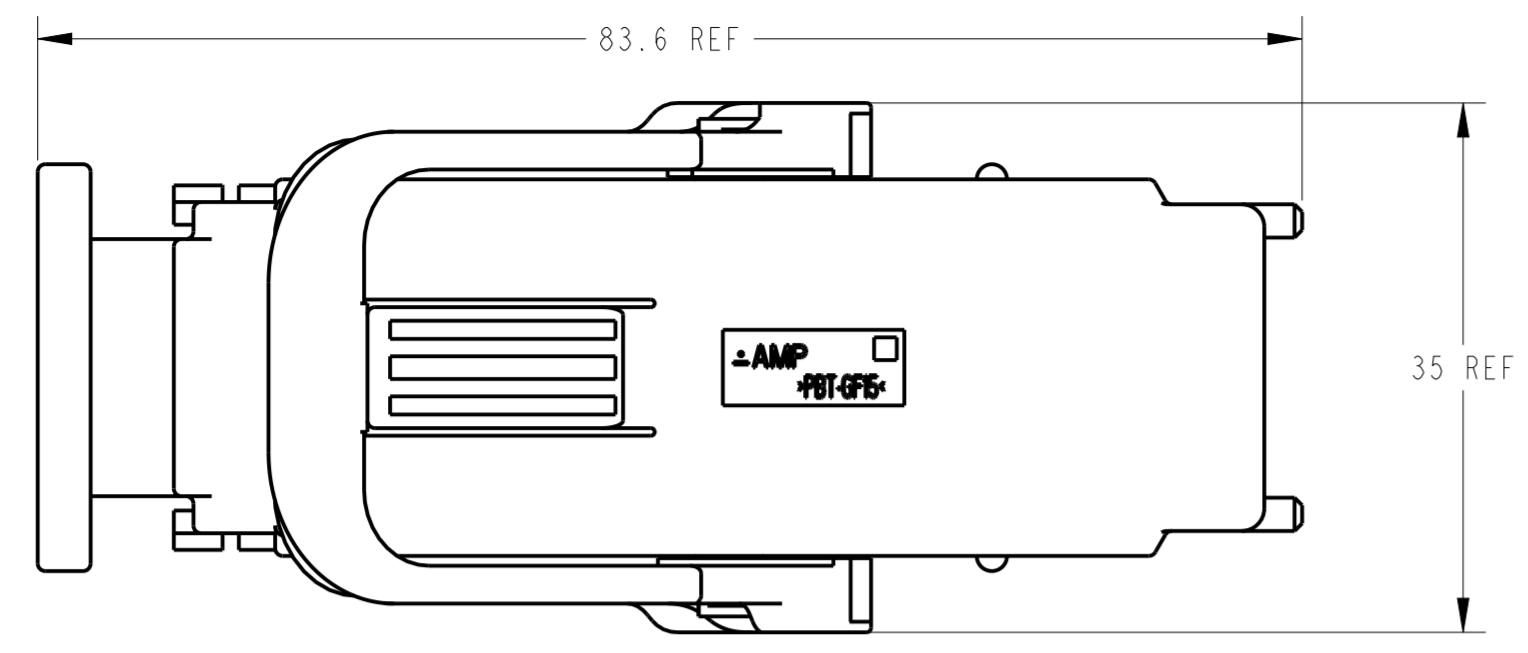
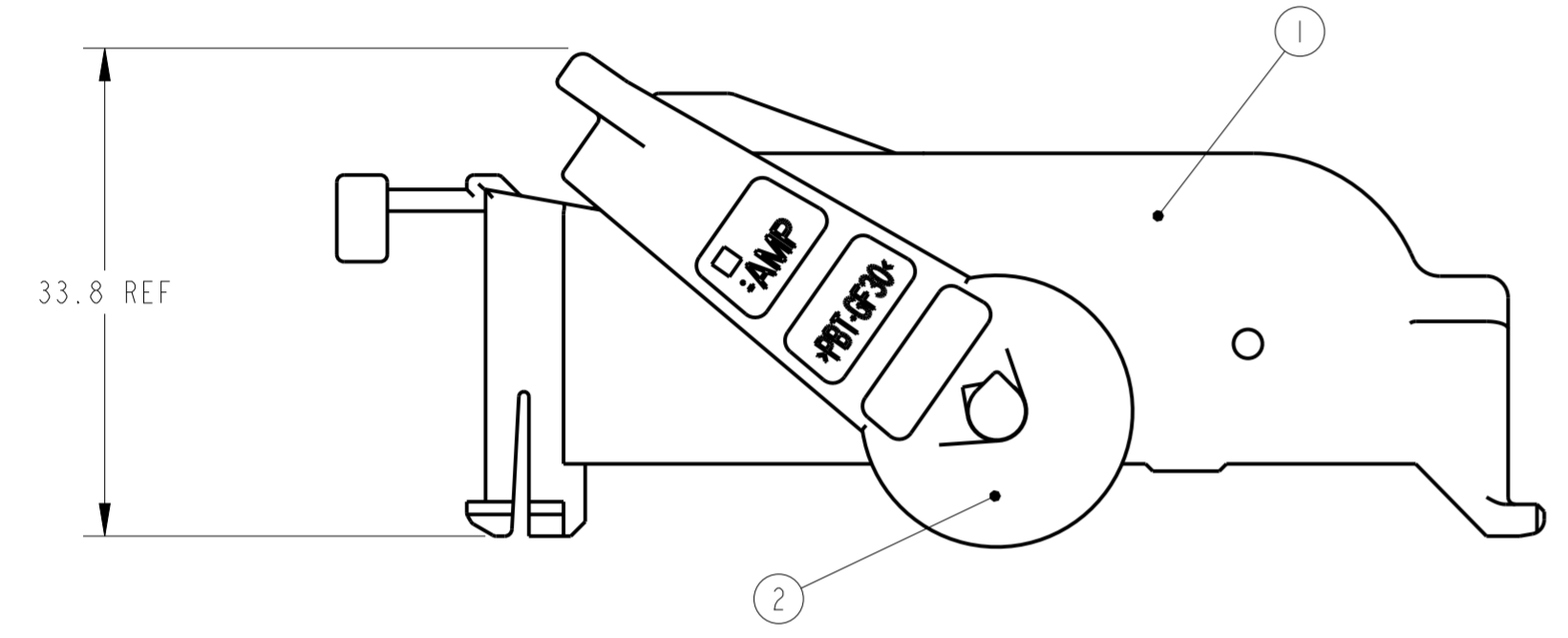
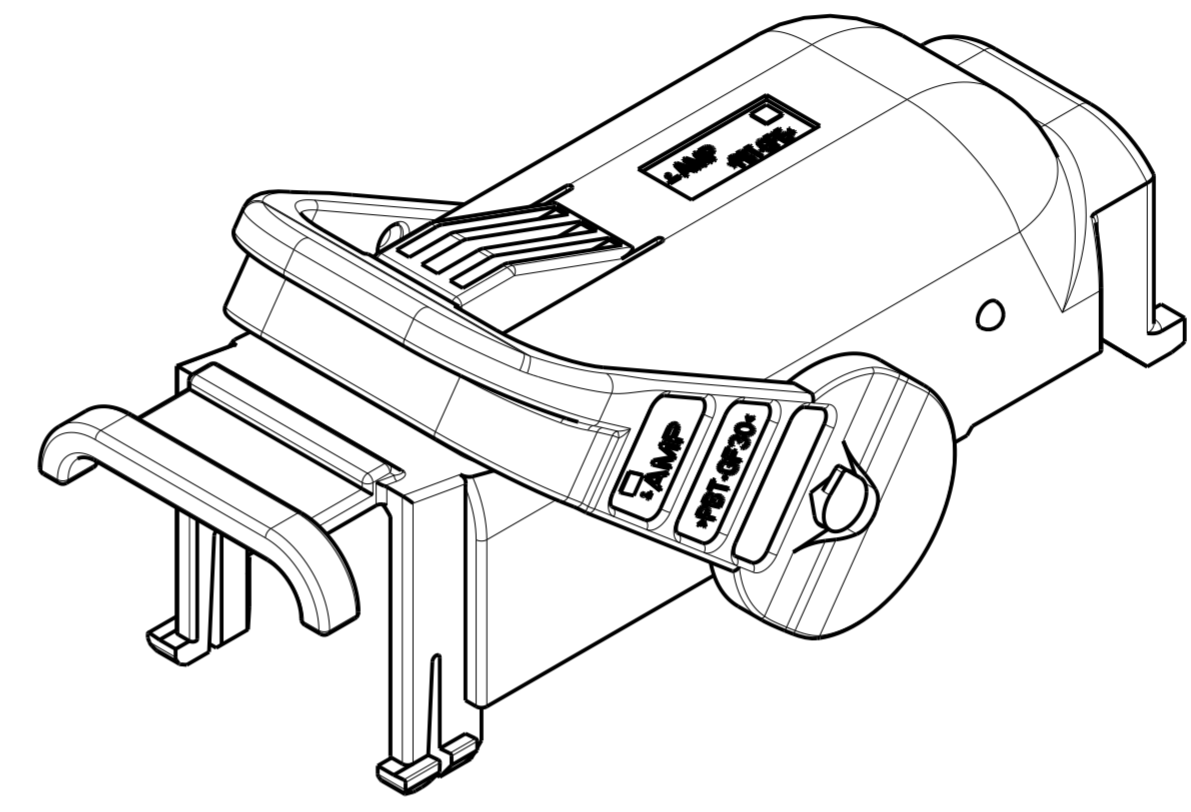


THIS DRAWING IS UNPUBLISHED. RELEASED FOR PUBLICATION 20  
 © COPYRIGHT 20 BY - ALL RIGHTS RESERVED.

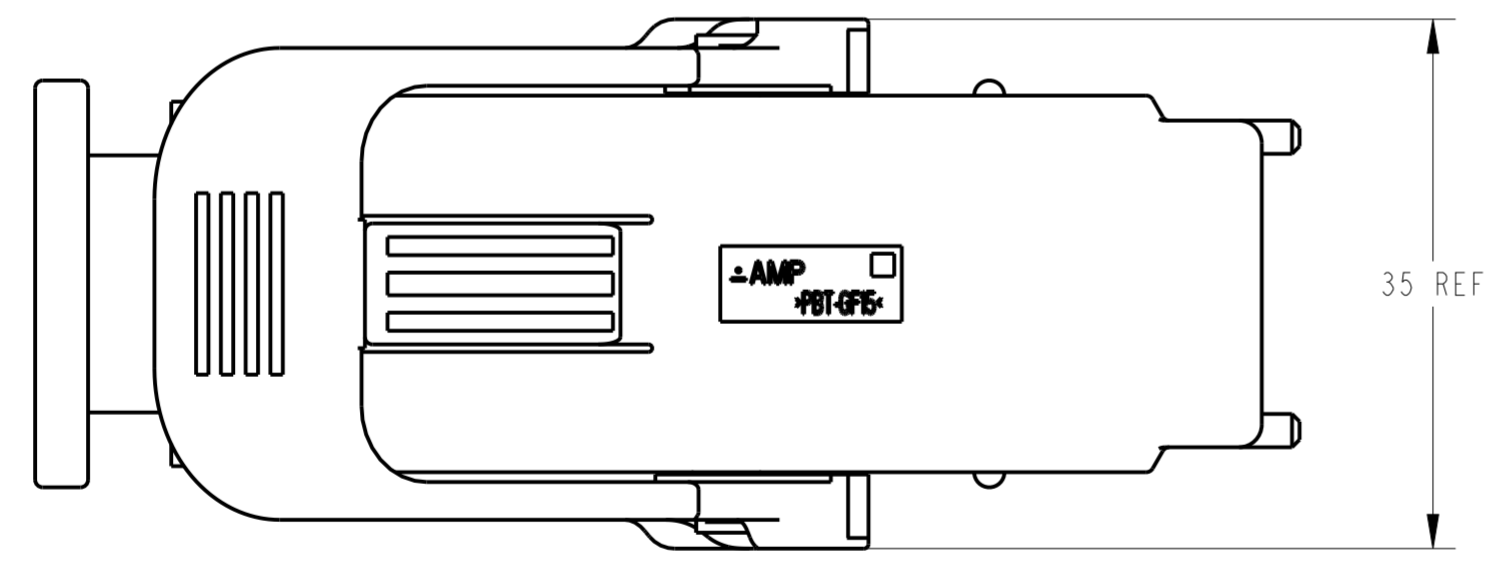
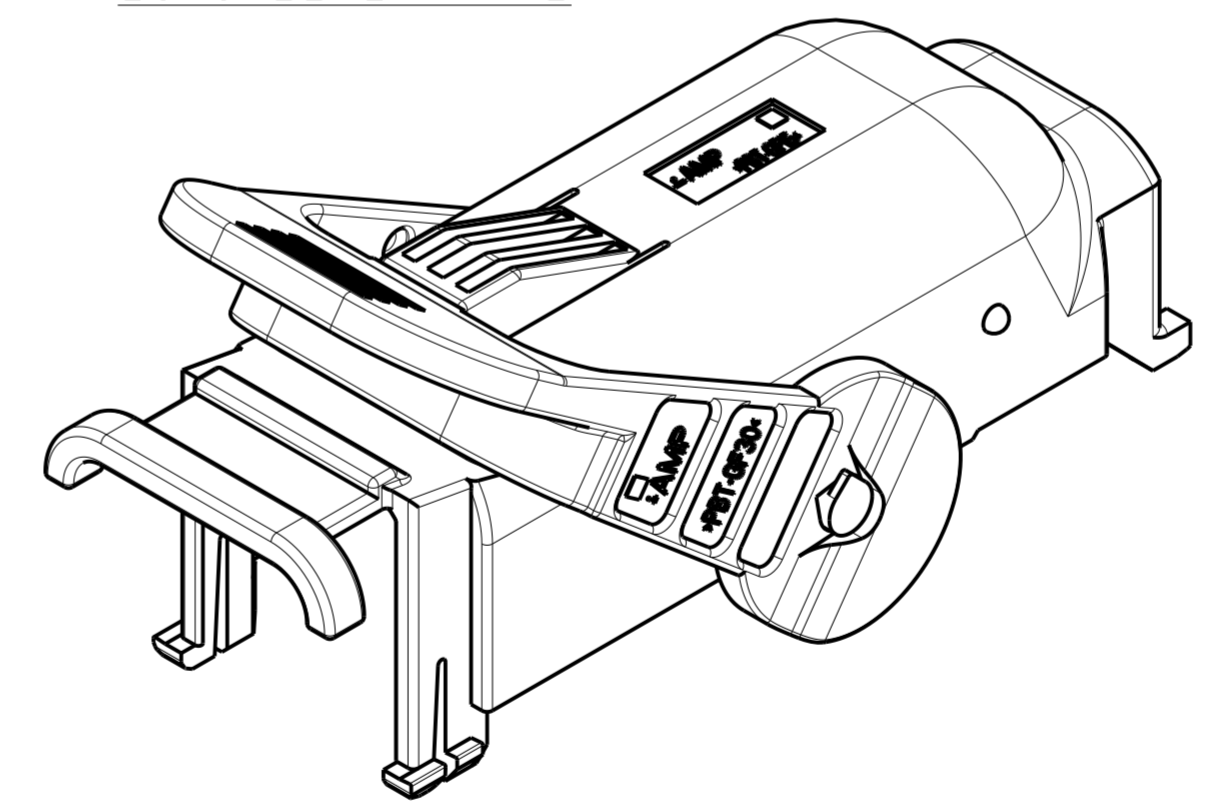
REVISIONS					
P	LTR	DESCRIPTION	DATE	DWN	APVD
A		ADDED -2 ECR-14-008266	04JUN2014	K.Y	Y.N
AI		CORRECT ERROR ECR-14-008343	10JUL2014	K.Y	Y.N



1473247-1  
STANDARD LEVER TYPE

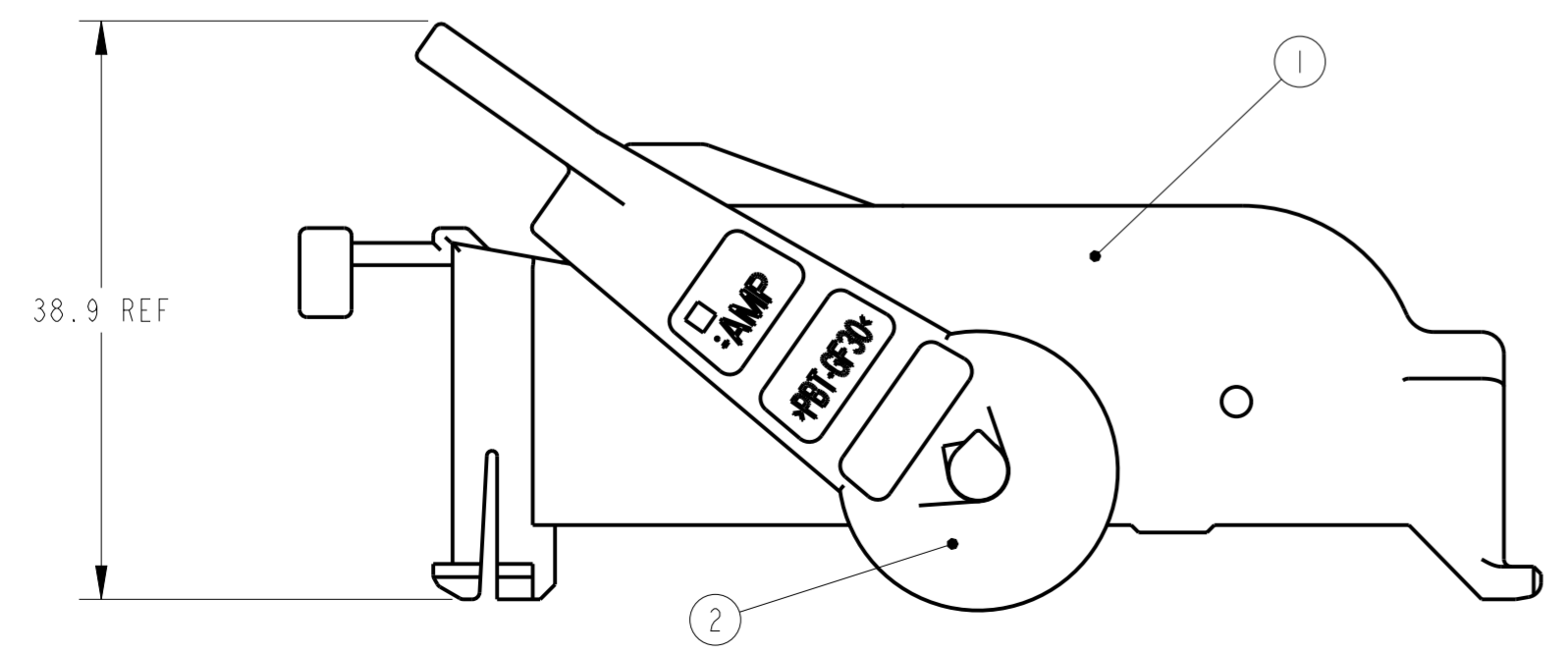


1473247-2  
LONG LEVER TYPE



- PART NUMBER OF PLUG HOUSING ASSEMBLY TO BE APPLIED ; P/N 1473244-1
- INSTRUCTION SHEET NO ; 411-78008
- 114-18021, 114-18050

- 適用プラグハウジングアセンブリ型番は、P/N 1473244-1
- 取扱説明書 NO ; 411-78008
- 114-18021, 114-18050



1	-	1473249-2	LONG LEVER	WHITE	2
-	1	1473249-1	STANDARD LEVER	BLACK	
1	1	1473248-1	HARNESS COVER	BLACK	1
-2	-1	PART NO	PART NAME	FINISH/COLOR	NO
16.4	14.9	WEIGHT(g)			

THIS DRAWING IS A CONTROLLED DOCUMENT.		DWN K. YOSHIMURA 04JUN2014	TE Connectivity	NAME LEVER ASSY TYPE-A SEALED 81 POS PLUG HSG MQS CLEAN BODY / JPT
DIMENSIONS: 単位: 桁 mm		CHK Y. NOGUCHI 04JUN2014		
TOLERANCES UNLESS OTHERWISE SPECIFIED: 一般公差 ±0.3 0-PLC ±0.5 1-PLC ±0.13 2-PLC ±0.13 3-PLC ±0.013 4-PLC ±0.001 ANGLES ±3°00'		APVD T. KOHNO 04JUN2014	SIZE A2	RESTRICTED TO
MATERIAL 材料 PBT		PRODUCT SPEC 108-5793	CAGE CODE	
FINISH 仕上 SEE TABLE		APPLICATION SPEC 取付適用規格 SEE NOTE 3	DRAWING NO C-1473247	
		WEIGHT SEE TABLE	SCALE 2:1	SHEET OF REV 1 1 A1
		Customer Drawing		