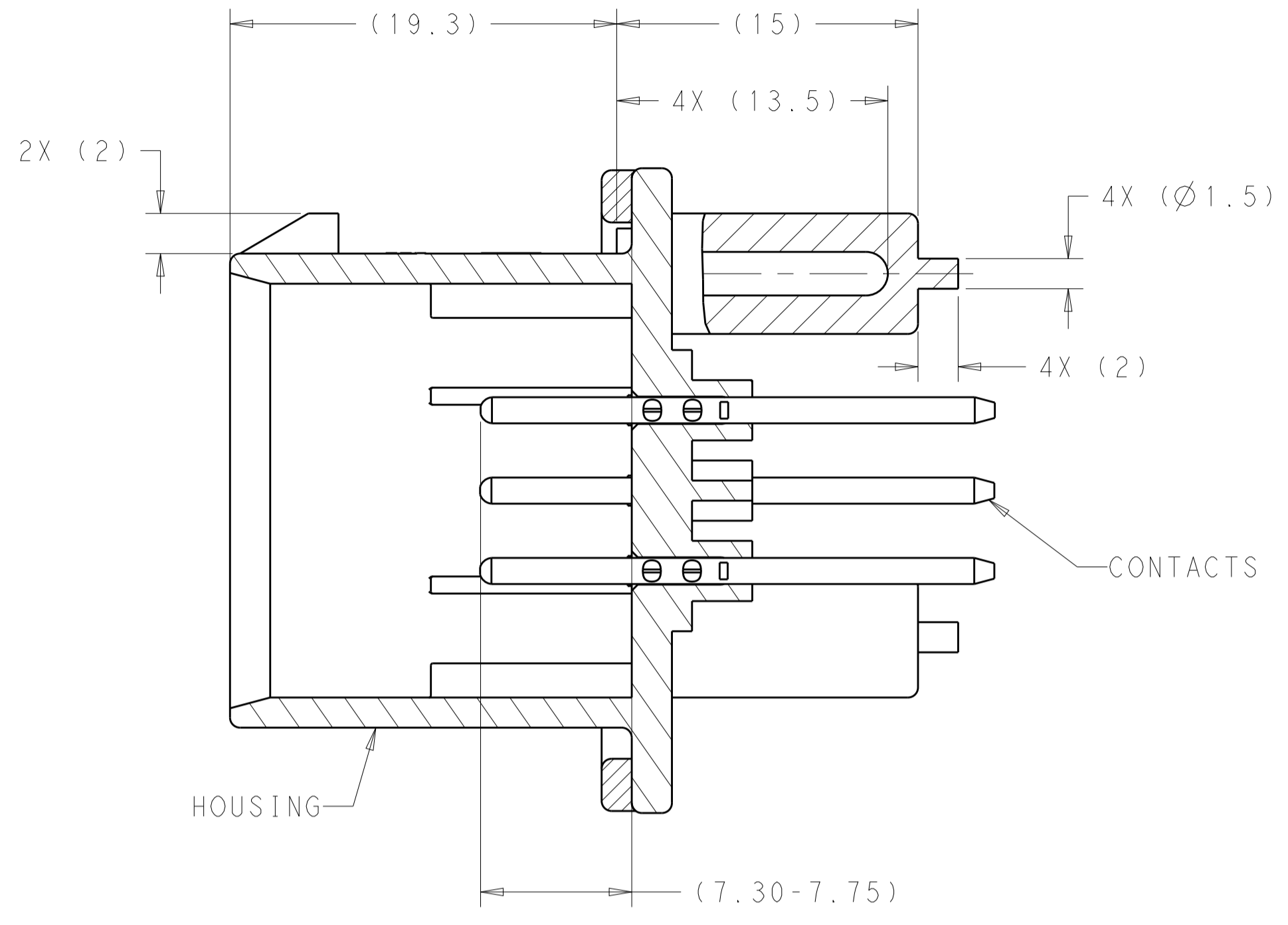
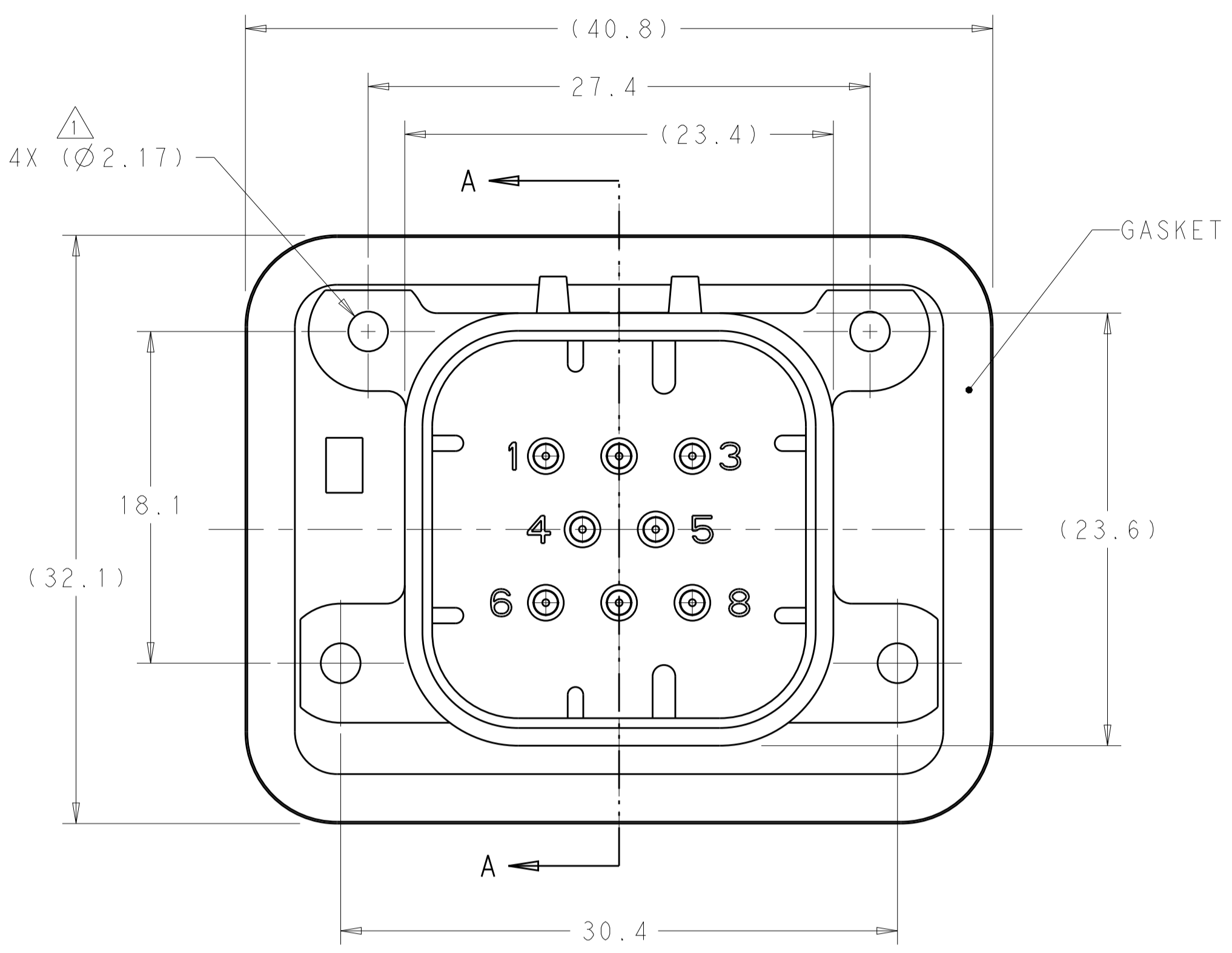
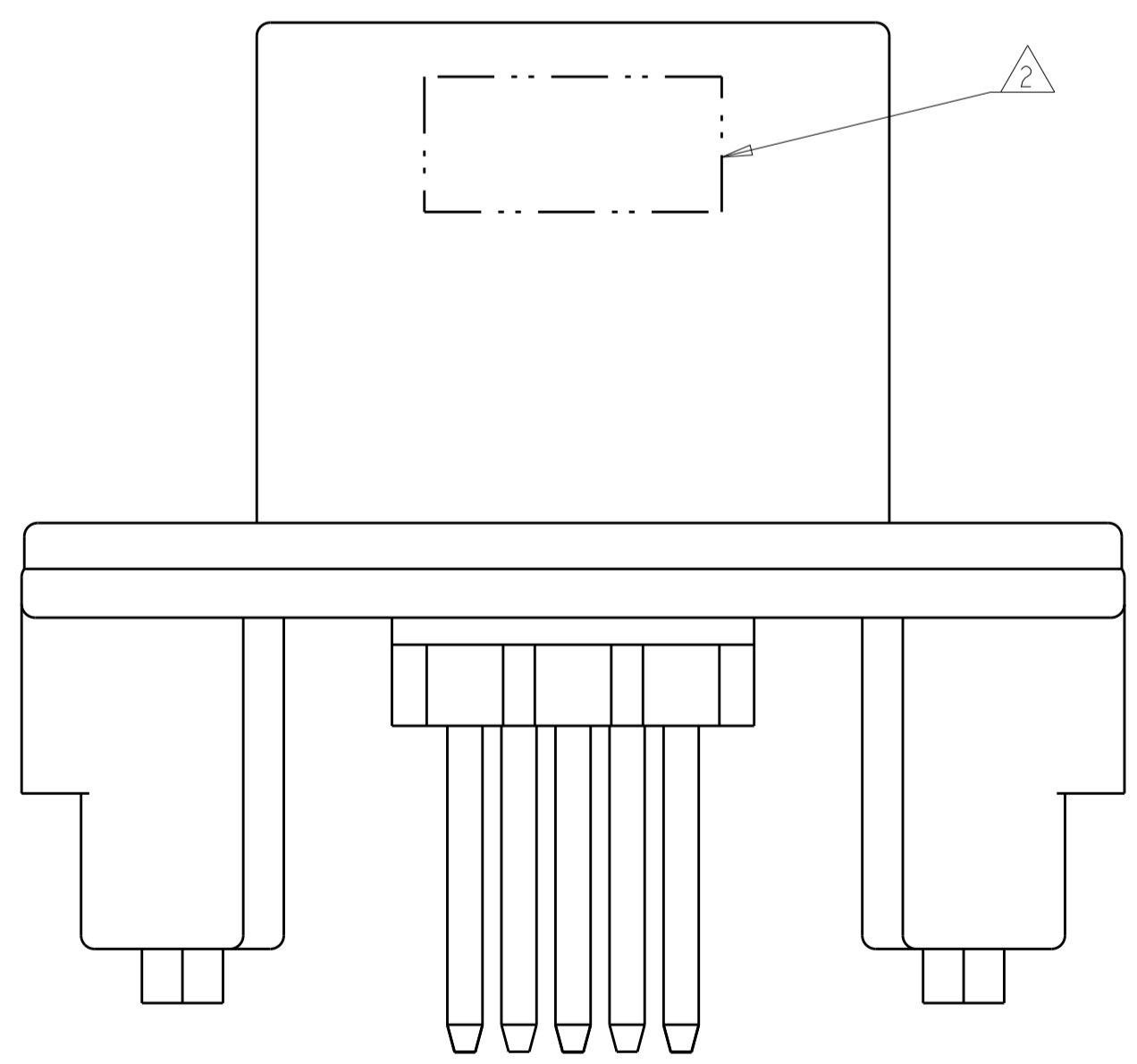


REVISIONS				
P.	LTN	DESCRIPTION	DATE	APVD
B13		REV PER ECO-21-001365	29JAN2021	DS DS



SECTION A-A

- ⚠ SUGGESTED MOUNTING SCREW SIZE IS Ø2.50-3.00mm [Ø0.099 - 0.118 INCH] SELF TAPPING THREAD FORMING SCREW, SUCH AS DELTA PT, TO BE DRIVEN AT 0.6-0.8 N-m. THE CUSTOMER SHOULD TEST THE SCREW SIZE AND TYPE IN ORDER TO VERIFY THEIR SELECTION FOR THEIR APPLICATION.
- ⚠ DATE CODE IN THIS LOCATION USING 5 DIGIT CODE. FIRST 2 DIGITS = YEAR, SECOND 2 DIGITS = WEEK, LAST DIGIT = DAY.
- ⚠ MATERIALS: GASKET - SILICONE
 HEADER HOUSING - GLASS FILLED PBT
 PINS - TIN OR GOLD PLATED BRASS
- ⚠ HOUSING COLORS ARE MECHANICALLY KEYS TO MATE ONLY WITH IDENTICALLY COLORED PLUG ASSEMBLIES.
- 5. HEADER MATES TO PLUG ASSEMBLY 776286 WHICH USES REELED TERMINAL 770520 OR LOOSE PIECE TERMINAL 770854

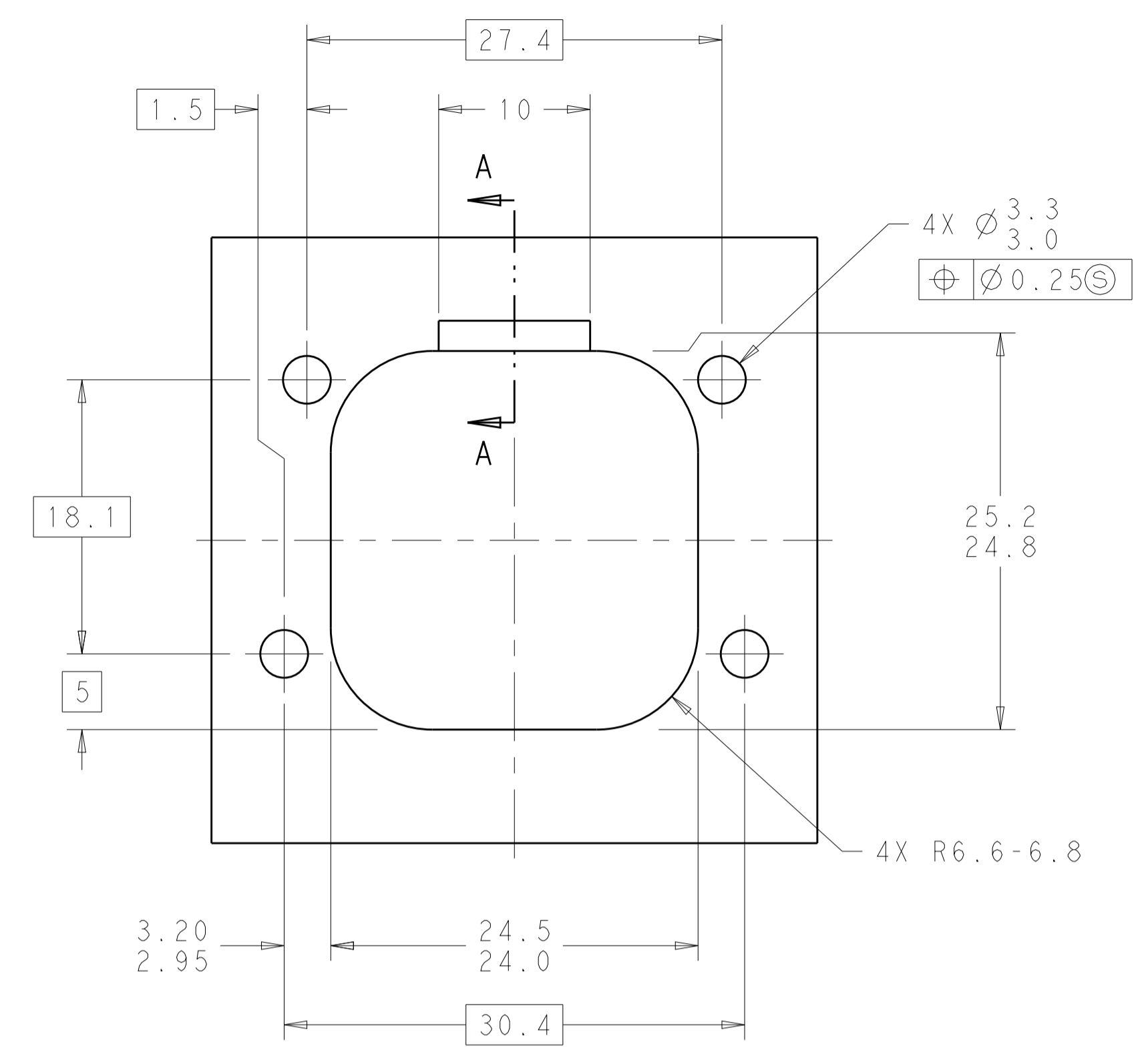


776276-1 & 1-776276-1 SHOWN

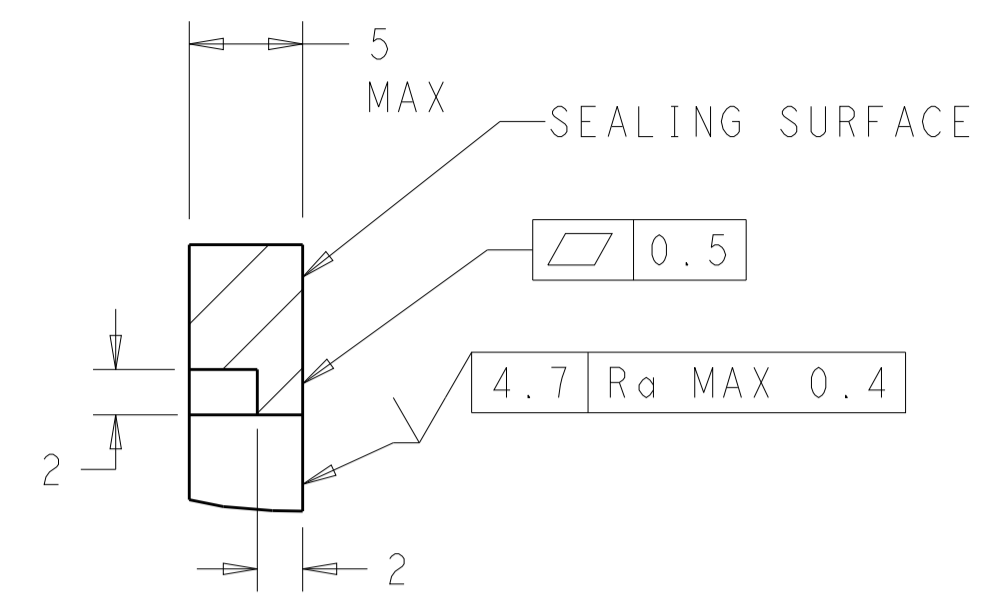
HEADER COLOR	PLATING	PART NUMBER
NATURAL	GOLD	1-776276-2
BLACK	GOLD	1-776276-1
NATURAL	TIN	776276-2
BLACK	TIN	776276-1

THIS DRAWING IS A CONTROLLED DOCUMENT.		OWN: D. STRAUSSER 21JAN2010	TE Connectivity
DIMENSIONS: mm		CHK: D. STRAUSSER 22MAR2010	
TOLERANCES UNLESS OTHERWISE SPECIFIED:		APVD: D. STRAUSSER 27APR2010	ASSEMBLY, HEADER 8 POSITION VERTICAL, AMPSEAL WITH FLANGE SEAL
0 PLC ±0.2 2 PLC ±0.13 3 PLC ±0.13 4 PLC ±0.13 ANGLES ±1°		PRODUCT SPEC: 108-1329 APPLICATION SPEC: 114-16016 WEIGHT: 13.32g	
MATERIAL: 3		FINISH: 3	SIZE: A100779 CAGE CODE: 776276 CUSTOMER DRAWING
SCALE: 3:1		SHEET: 1 OF 2	REV: B13

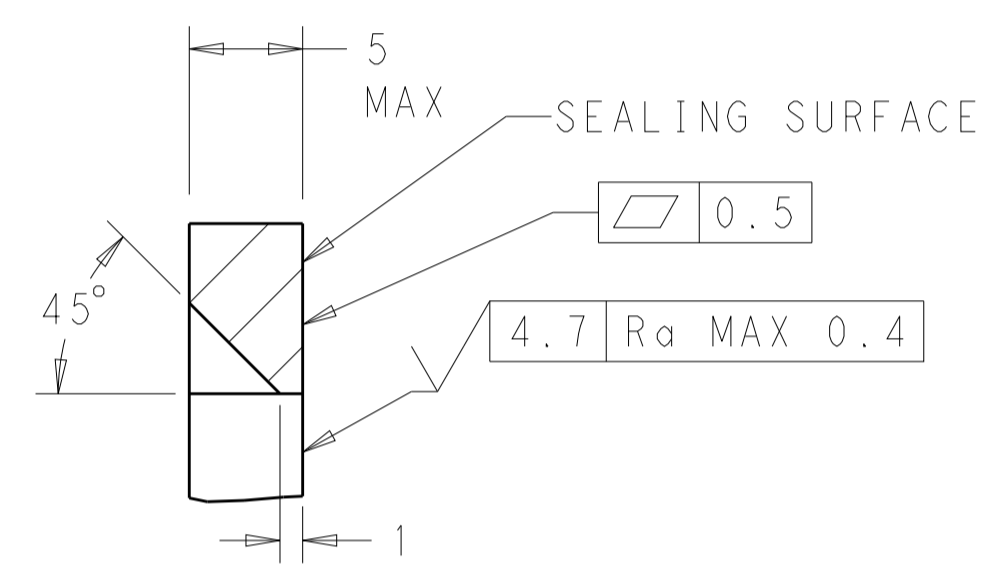
REVISIONS				
P.	LTN.	DESCRIPTION	DATE	APVD.
-	-	SEE SHEET 1	-	-



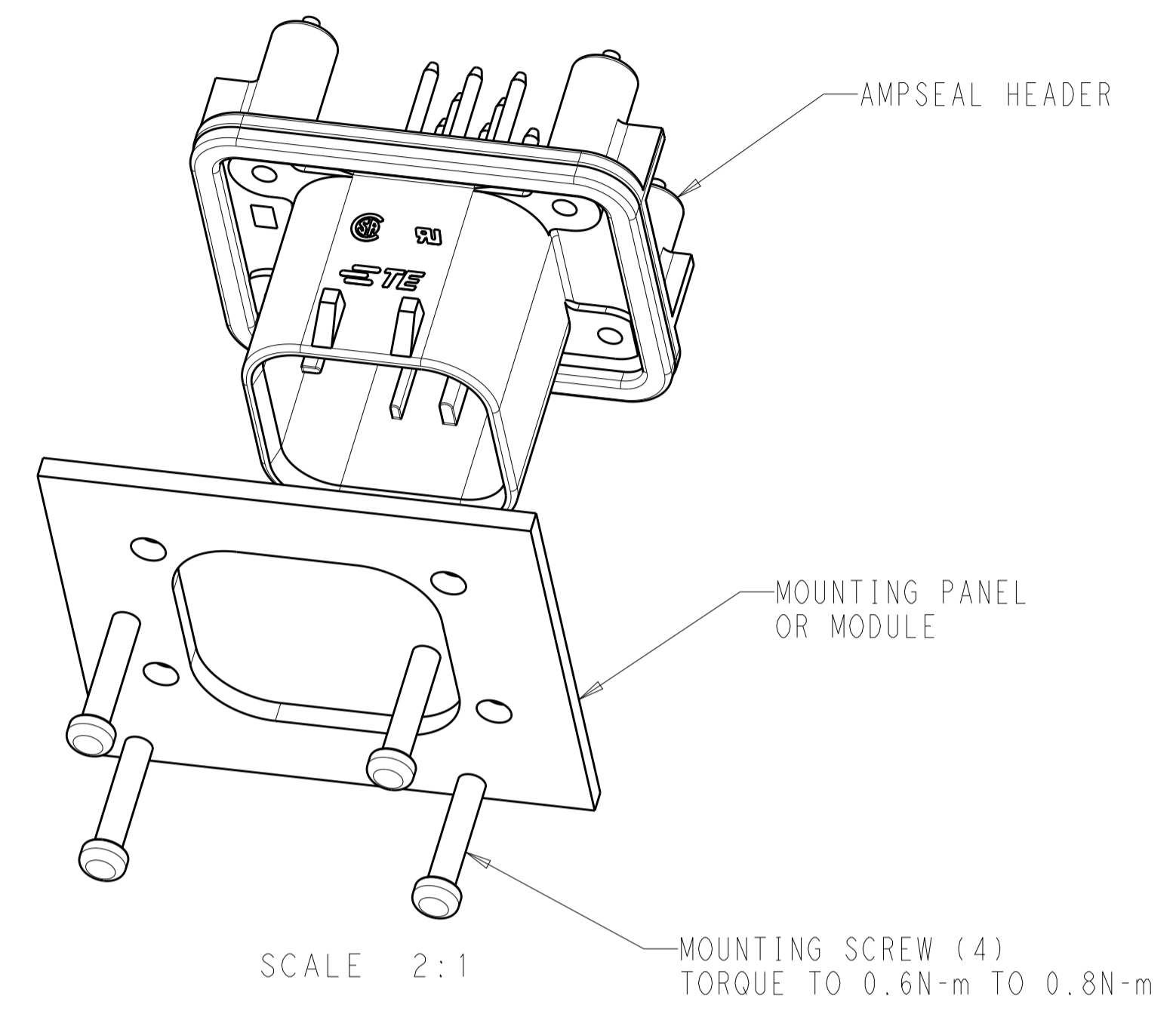
RECOMMENDED MOUNTING HOLE LAYOUT FOR 5.0 MAX THICK PANEL



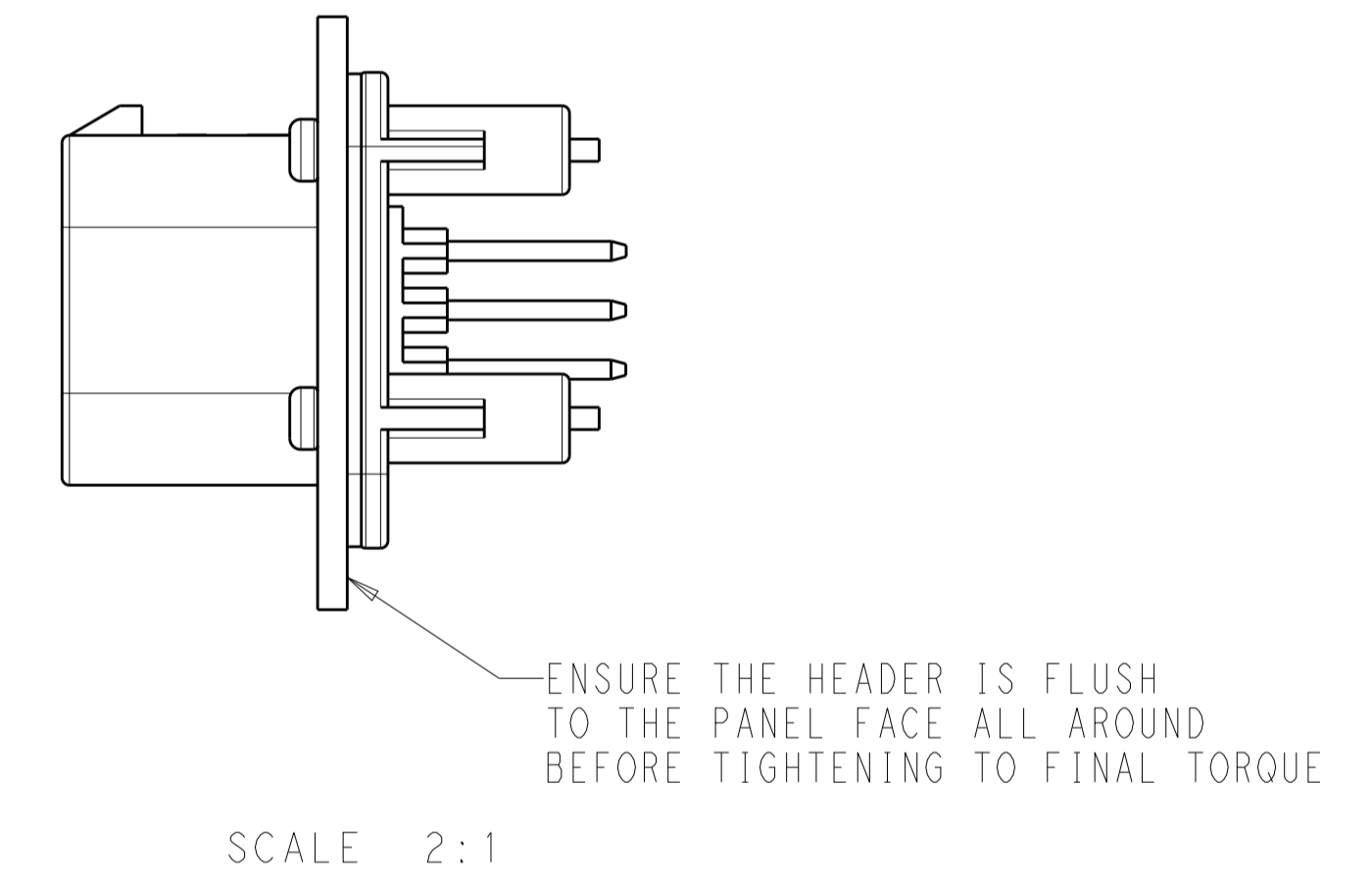
SECTION A-A
OPTIONAL CONSTRUCTION IF PANEL THICKNESS IS GREATER THAN 2.0



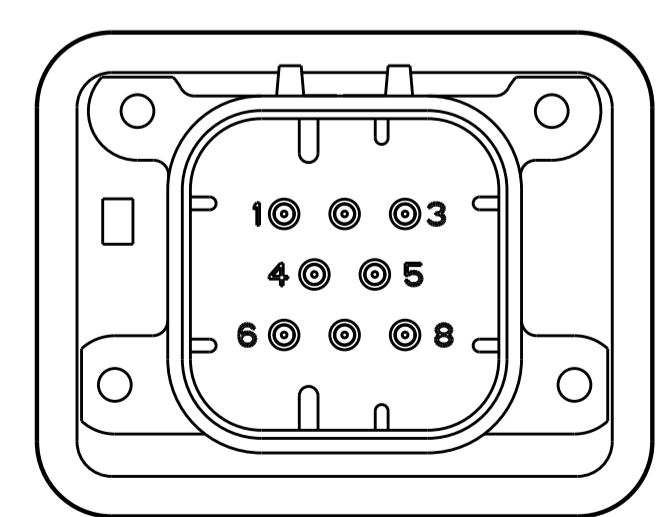
SECTION A-A
OPTIONAL CONSTRUCTION IF PANEL THICKNESS IS GREATER THAN 2.0



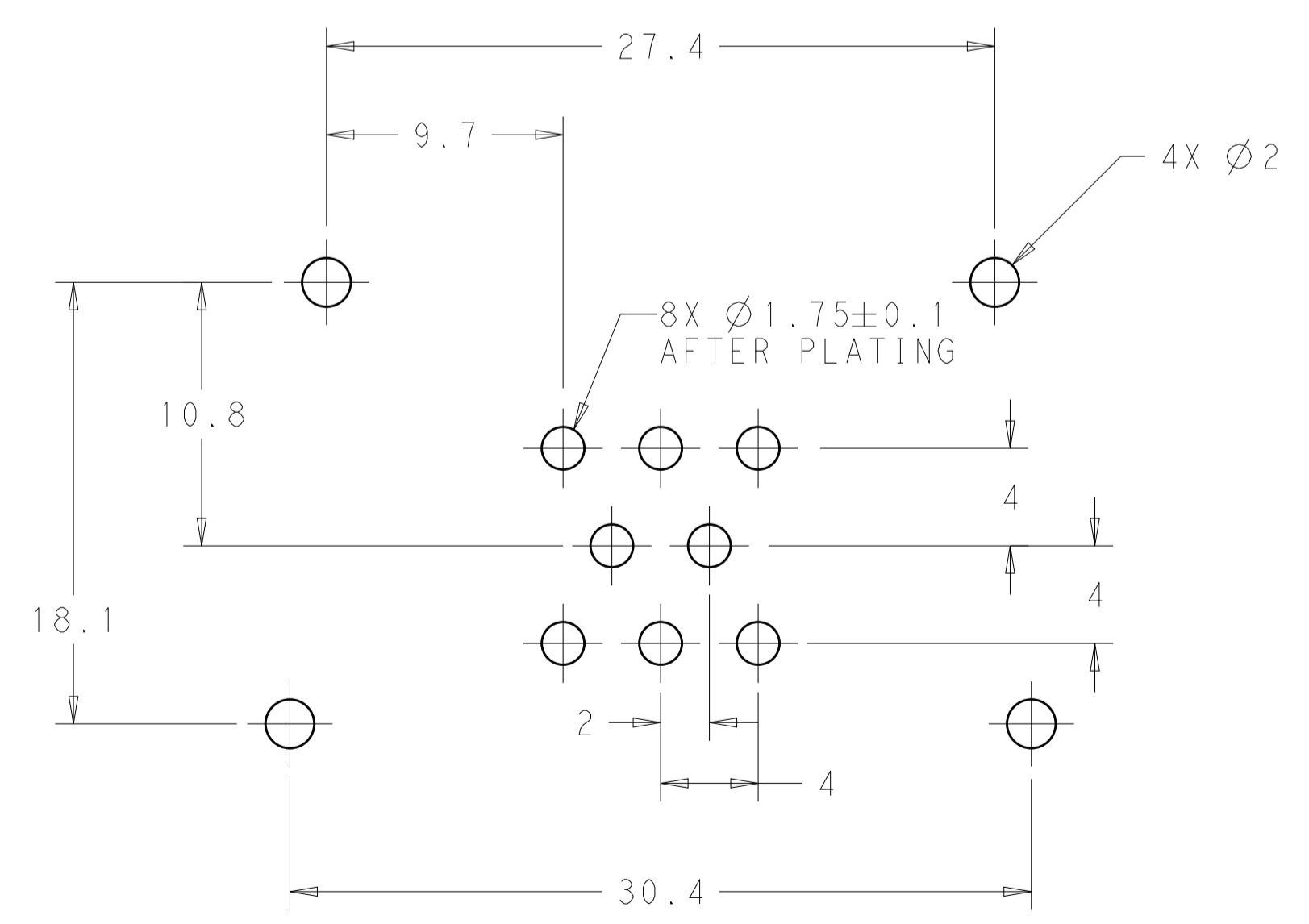
SCALE 2:1



SCALE 2:1



776276-2 & 1-776276-2
KEY LOCATION
SCALE 2:1



RECOMMENDED P.C. BOARD LAYOUT FOR 1.57 THICK P.C. BOARD

THIS DRAWING IS A CONTROLLED DOCUMENT.		DWN: D. STRAUSSER 21 JAN 2010 CHK: D. STRAUSSER 22 MAR 2010 APVD: D. STRAUSSER 27 APR 2010	TE Connectivity	
DIMENSIONS:	TOLERANCES UNLESS OTHERWISE SPECIFIED:	PRODUCT SPEC	NAME: ASSEMBLY, HEADER 8 POSITION VERTICAL, AMPSEAL WITH FLANGE SEAL	
mm	0 PLC ±0.2	108-1329	SIZE	CAGE CODE DRAWING NO. RESTRICTED TO
	1 PLC ±0.2	APPLICATION SPEC	A100779	776276
	2 PLC ±0.2	114-16016	WEIGHT	13.32g
	3 PLC ±0.2	114-16016	CUSTOMER DRAWING	SCALE 3:1 SHEET 2 OF 2 REV B13
MATERIAL	FINISH	WEIGHT	13.32g	