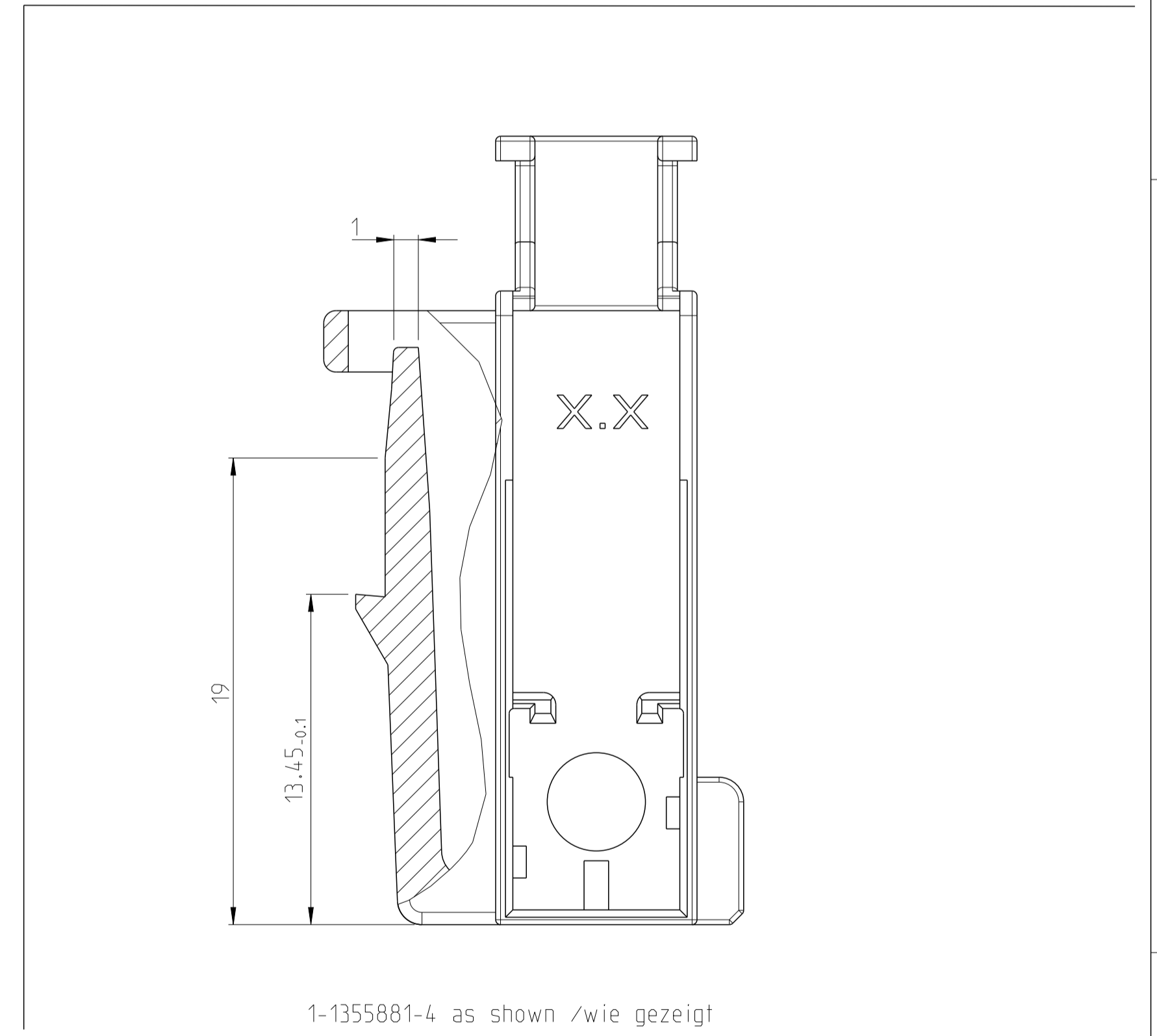
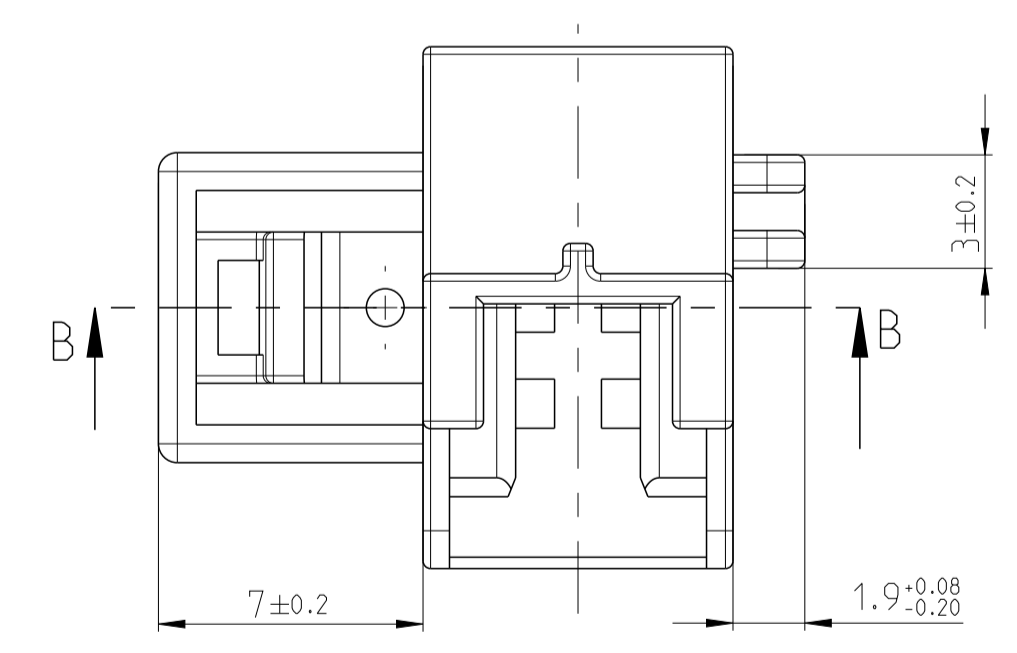
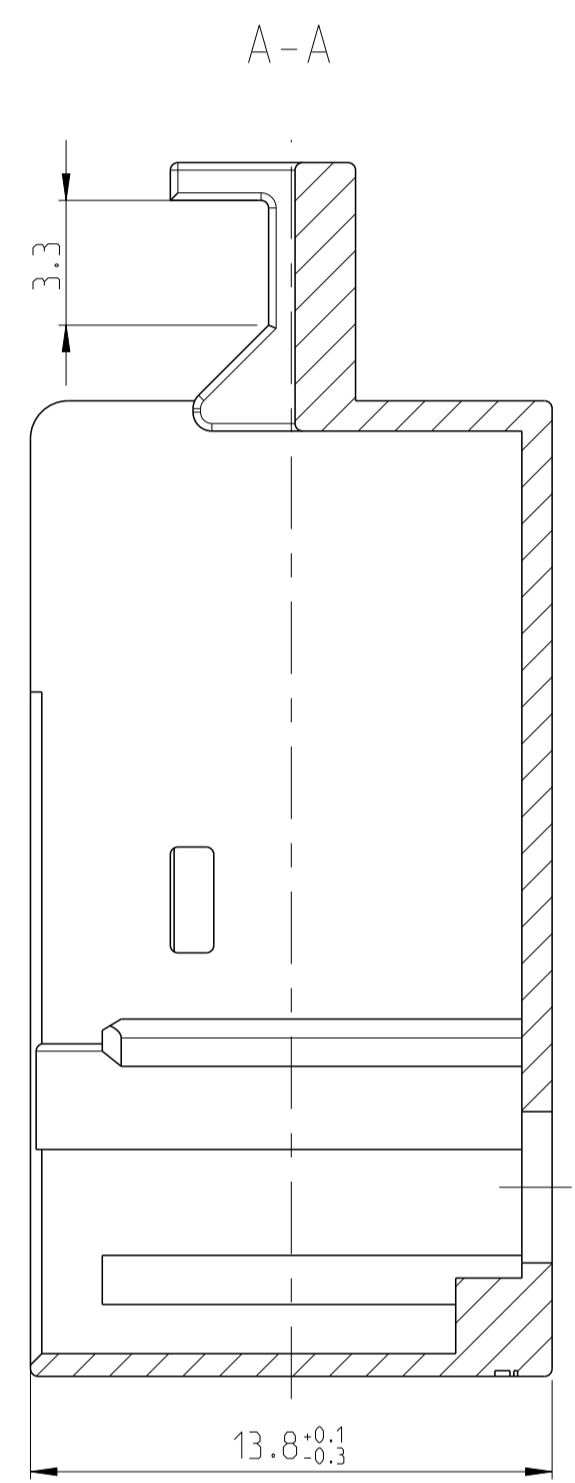
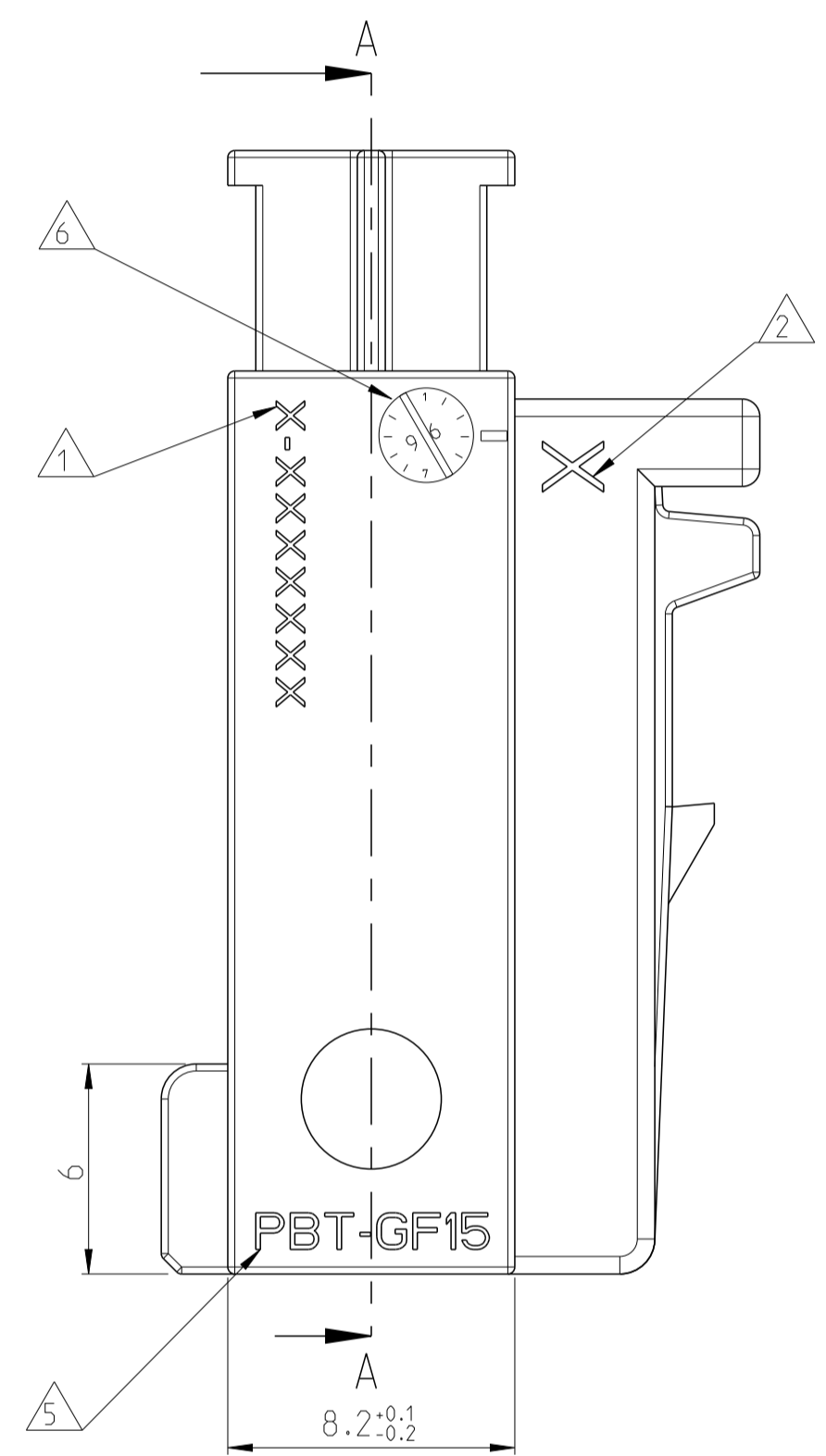
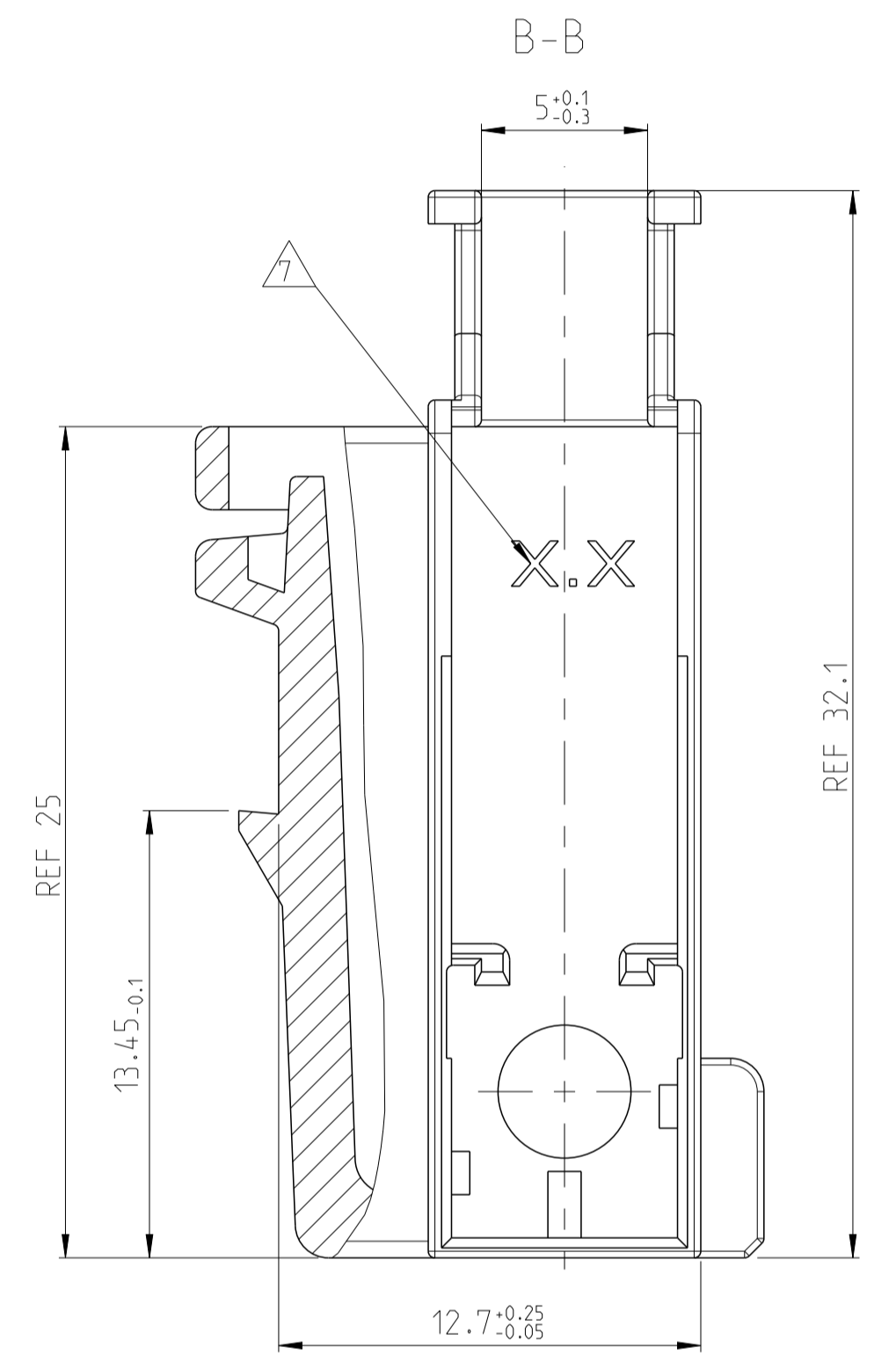
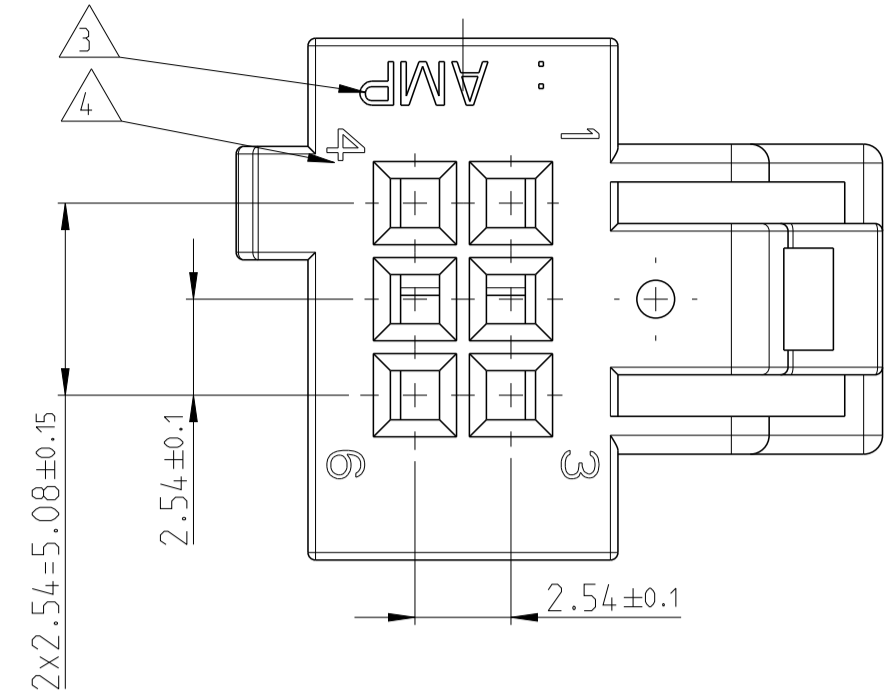


| Project No.: PRJ-11-5807 | | LOC | DIST | REVISIONS | | | |
|--------------------------|-----|-----------------|-----------|-----------|------|--|--|
| P | LTN | DESCRIPTION | DATE | DWN | APVD | | |
| A2 | | SEE E-12-020238 | 21NOV2012 | SK | RH | | |



- NOTES
BEMERKUNGEN
- NV NOTE NOT VALID
Bemerkung nicht verwendet
 - 1 ORDER NUMBER
BESTELL-NUMMER
 - 2 REVISION NUMBER
WERKZEUGÄNDERUNGSINDEX
 - 3 TE LOGO
 - 4 CONTACT CAVITY NUMBER
KONTAKTKAMMERNUMMER
 - 5 MATERIAL MARKING
WERKSTOFFKENNZEICHNUNG
 - 6 PRODUCTION DATE
PRODUKTIONSdatum
 - 7 TOOL CAVITY MARKING
NESTMARKIERUNG
 - 8 PACKAGING: BULK MATERIAL IN CARDBOARD BOX
VERPACKUNG: SCHÜTTGUT IN KARTON

| QTY | TE ORDER NO | TE BESTELLNUMMER | REV | DESCRIPTION | MATERIAL | SURFACE COLOR | WEIGHT | ITEM NO |
|-----|-------------|------------------|-----|------------------|----------|---------------|--------|---------|
| | 1-1355881-4 | | A | SHIELD, 6WAY MQS | PBT-GF15 | NATURE | 1.6 | 4 |
| | 0-1355881-3 | | A | SHIELD, 6WAY MQS | PBT-GF15 | WHITE | 1.6 | 3 |
| | 0-1355881-2 | | A | SHIELD, 6WAY MQS | PBT-GF15 | BLUE | 1.6 | 2 |
| | 0-1355881-1 | | A | SHIELD, 6WAY MQS | PBT-GF15 | BLACK | 1.6 | 1 |

1355881-1 as shown /wie gezeigt

| | | | | | | | | |
|----------------|-----------------|-----------------------|--|--|--|--|--|--|
| 114-18659 | - | - | | | | | | |
| INTERFACE SPEC | GM-Abbreviation | BENENNUNG DESCRIPTION | | | | | | |
| MATED WITH | Passend zu | | | | | | | |

THIS DRAWING IS A CONTROLLED DOCUMENT. DIMENSIONING AND TOLERANCING PER GPS (ISO STANDARDS). TOLERANCES UNLESS OTHERWISE SPECIFIED:

| | | | | | | | | |
|-------------|----|------------|------------|------------|------------|------------|----------|-------------|
| DIMENSIONS: | mm | 0 PLC ±0.3 | 1 PLC ±0.3 | 2 PLC ±0.3 | 3 PLC ±0.3 | 4 PLC ±0.3 | ANGLES ± | FINISH ±0.1 |
|-------------|----|------------|------------|------------|------------|------------|----------|-------------|

Customer Drawing

SCALE 5:1 SHEET 1 OF 1 REV. A2



NAME SHIELD FOR 6 POS. MQS SOCKET HOUSING 6 pol. MQS Griffschale

SIZE CAGE CODE DRAWING NO. RESTRICTED TO

A1 00779 ©=1355881