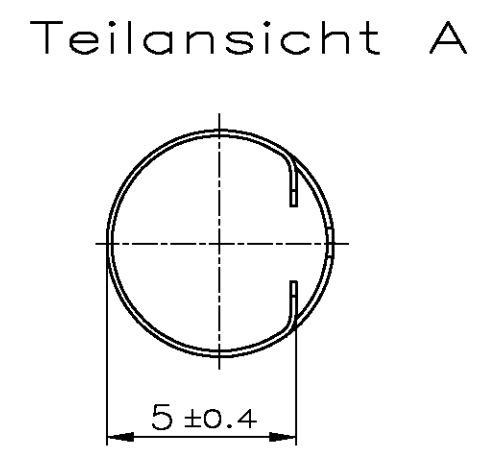
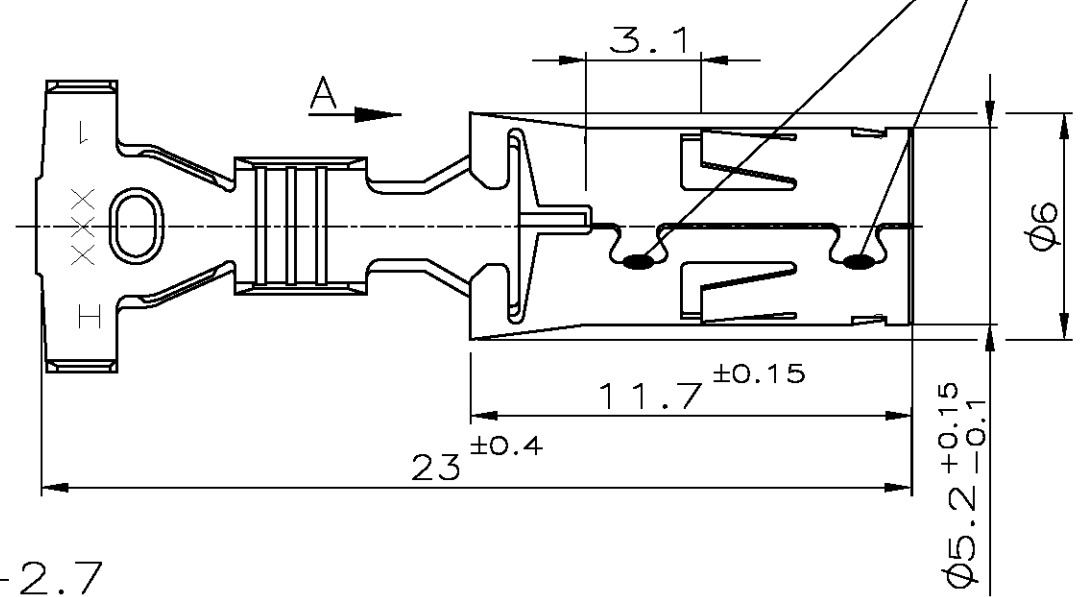
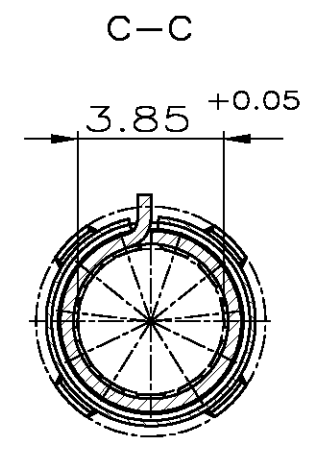
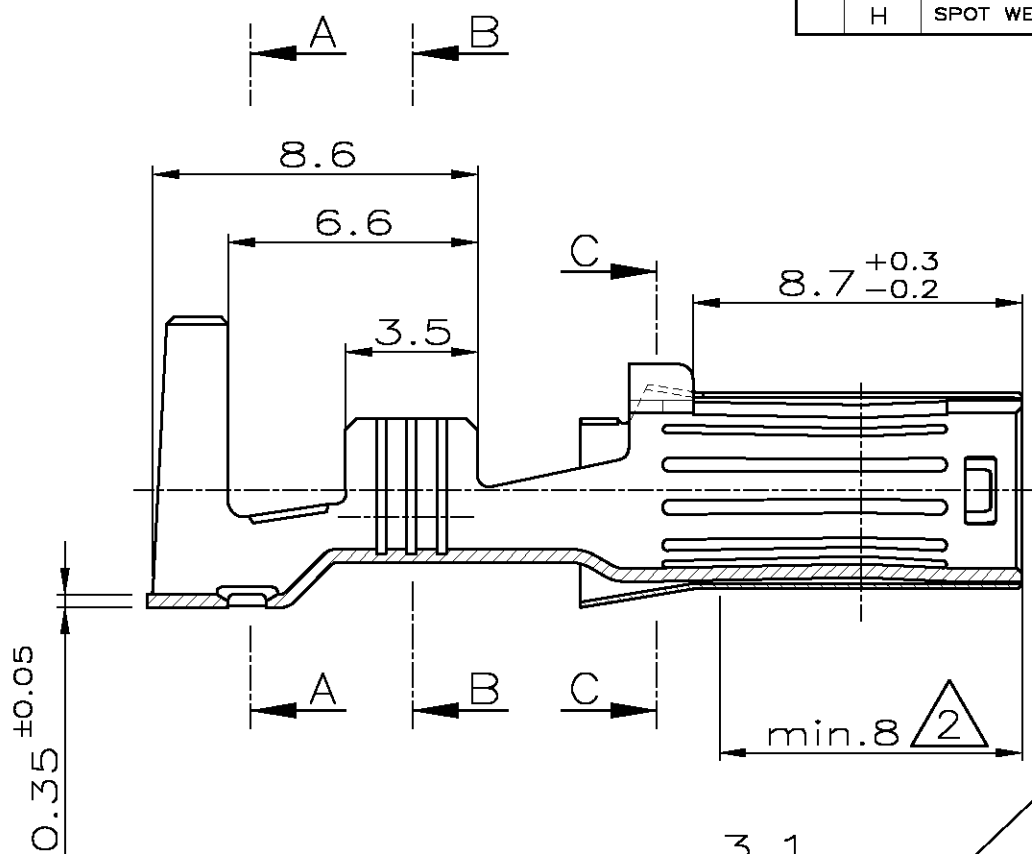
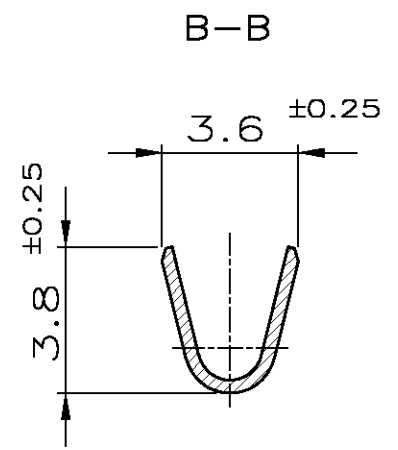
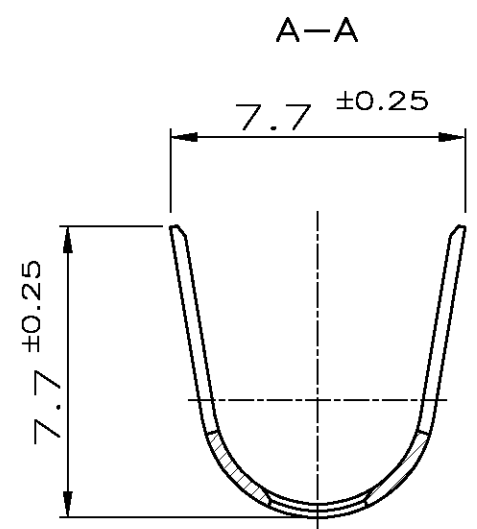


THIS DRAWING IS UNPUBLISHED. RELEASED FOR PUBLICATION
 © COPYRIGHT - By - ALL RIGHTS RESERVED.

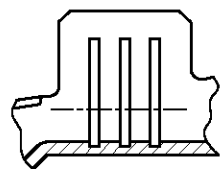
LOC		DIST		REVISIONS			
P	LTR	DESCRIPTION	DATE	DWN	APVD		
A1	-						
F		DOVE TAIL ADDED / Schwalbenschwanz eingefuegt	28JUL2006	C.H.	C.G.		
G		DRAWING ADAPTED / Zeichnung angepasst	14AUG2007	Abr	C.G.		
H		SPOT WELDING CHANGED INTO LINE WELDING	27SEP2012	Sch	Abr		



NOTES
Bemerkungen

- 1 1-3µm Sn
1-3µm Sn
- 2 3-4µm GALVANIC Ag
REST GALV. Sn (1-3µm)
3-4µm galvanisch Ag
Rest galv. Sn (1-3µm)
- 3 WIRE RANGE
Drahtgrossenbereich (mm²): >1-2.5
- 4 INSULATION RANGE FOR SWS Ø6 (mm): 2.0-2.7
Isolationsbereich fuer EDS Ø6

OPTIONAL



- 2
- 1

MATERIAL	FINISH	PART NO.	REV.
GERMAN SILVER Neusilber	PLAIN/blank	0-962954-5	H
CuNiSi	PRESILVERED vorversilbert	0-962954-2	H
CuNiSi	PRETINNED vorverzintt	0-962954-1	H

THIS DRAWING IS A CONTROLLED DOCUMENT.	
DIMENSIONS: mm	TOLERANCES UNLESS OTHERWISE SPECIFIED: 0 PLC ± 1 PLC ± ±0.2mm 2 PLC ± 3 PLC ± 4 PLC ± ANGLES ±1.5° FINISH
MATERIAL	

DWN E. Palmie	06FEB1995
CHK H. Lutsch	06FEB1995
APVD	
PRODUCT SPEC	108-18472
APPLICATION SPEC	114-18118
WEIGHT	-
CUSTOMER DRAWING	

STE TE Connectivity			
NAME Ø 4MM SOCKET CONTACT, SWS Ø 4mm Buchsenkontakt, EDS			
SIZE	CAGE CODE	DRAWING NO	RESTRICTED TO
A3	00779	C-962954	-
SCALE 5:1		SHEET 1 OF 1	REV H