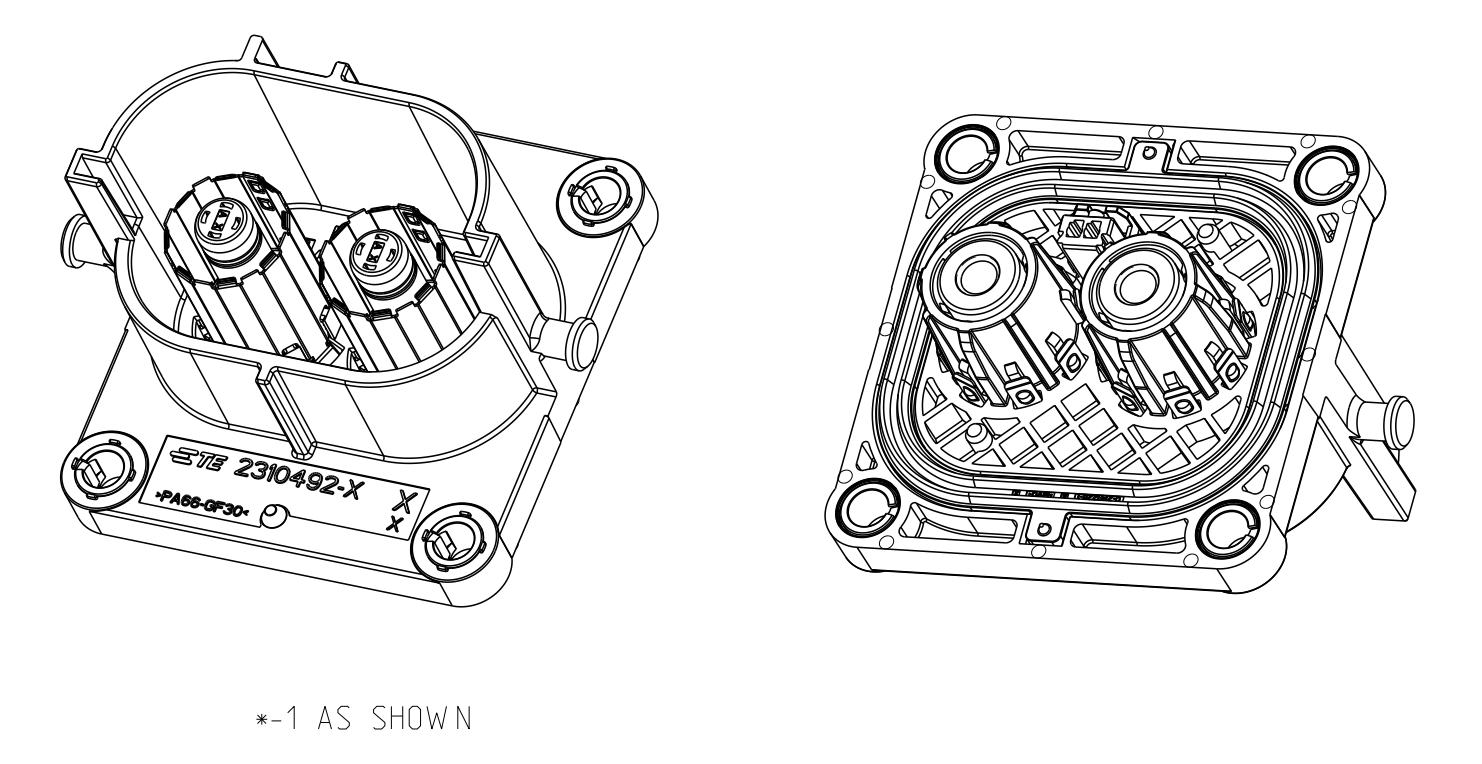
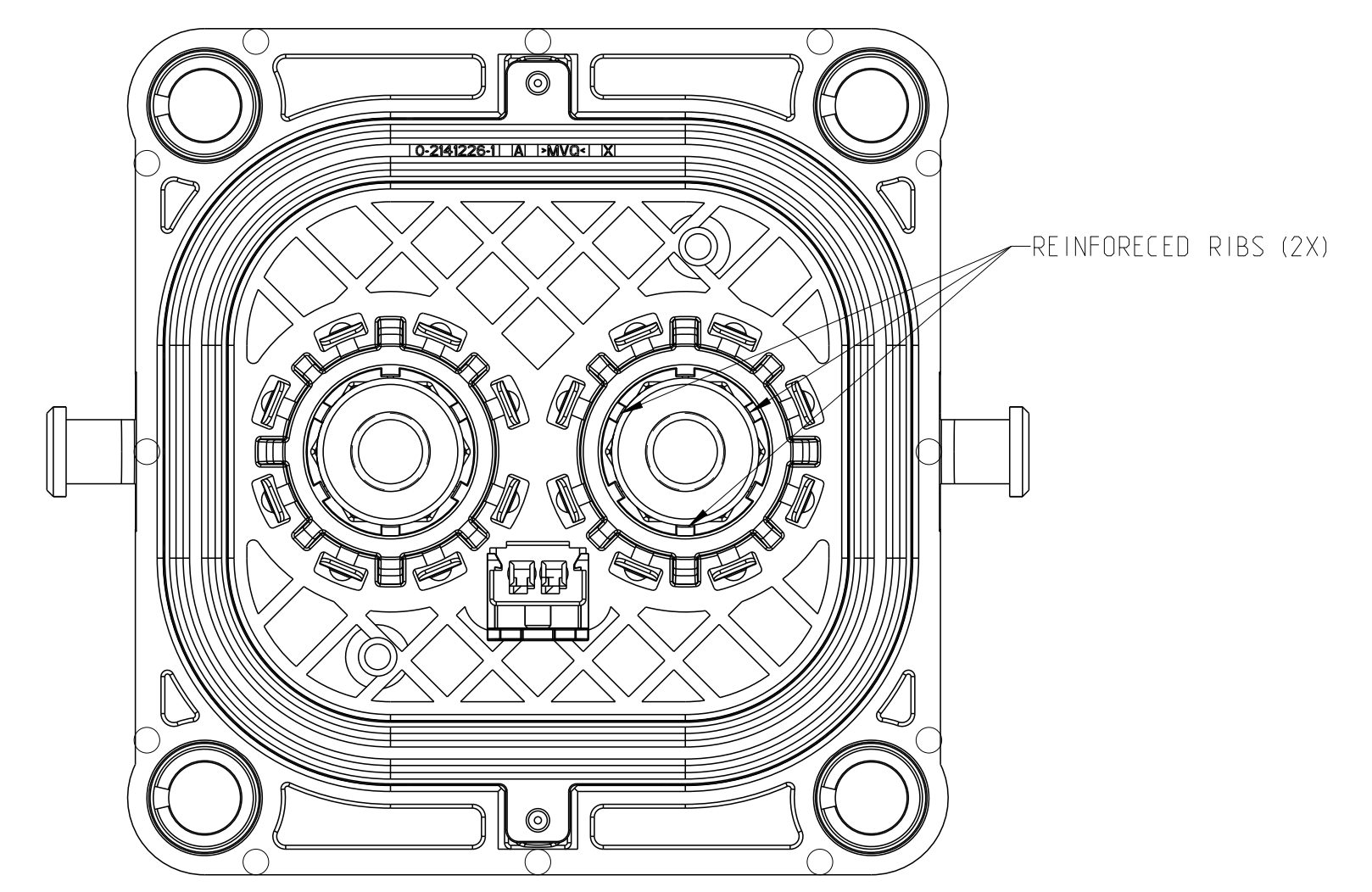
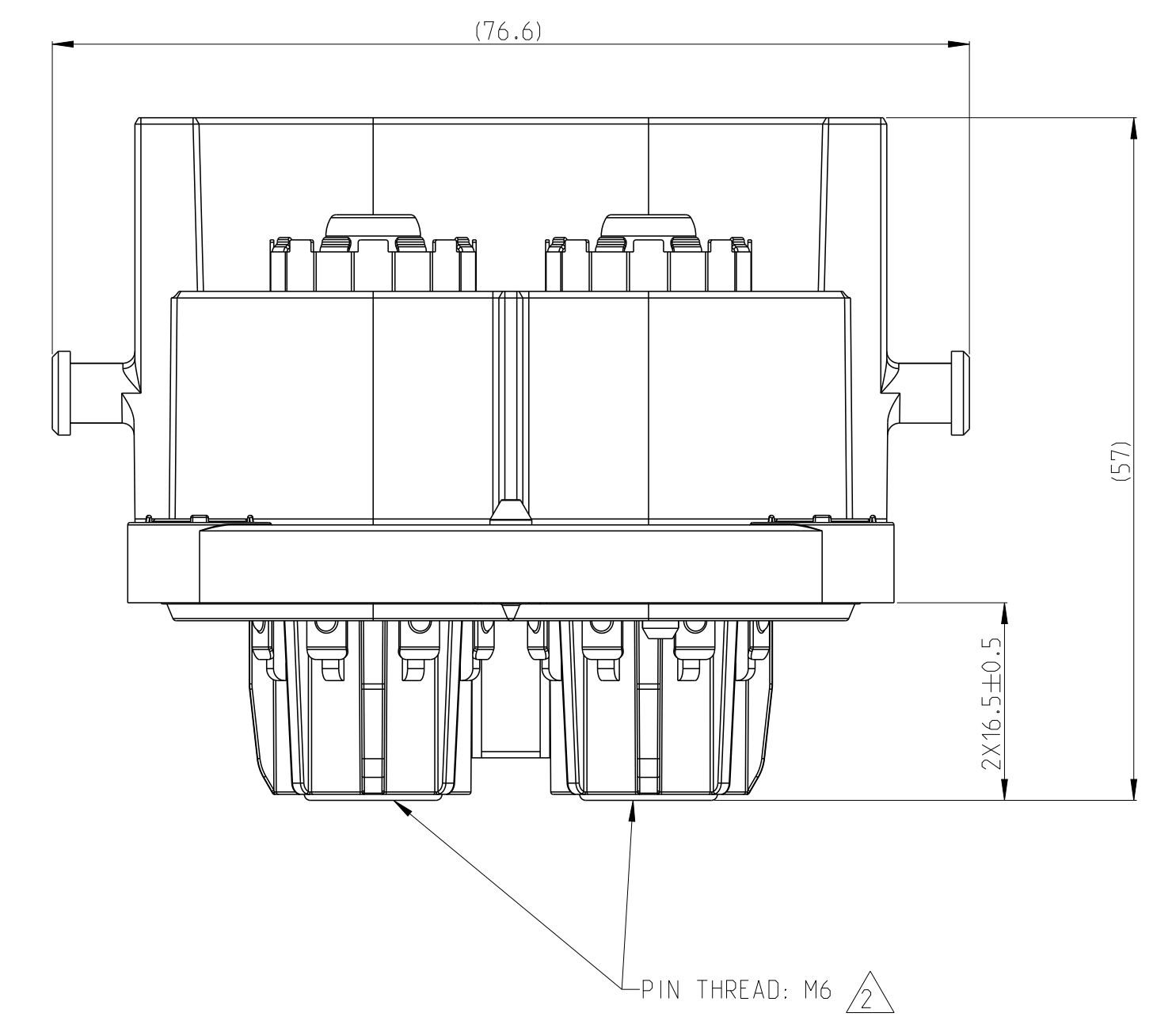
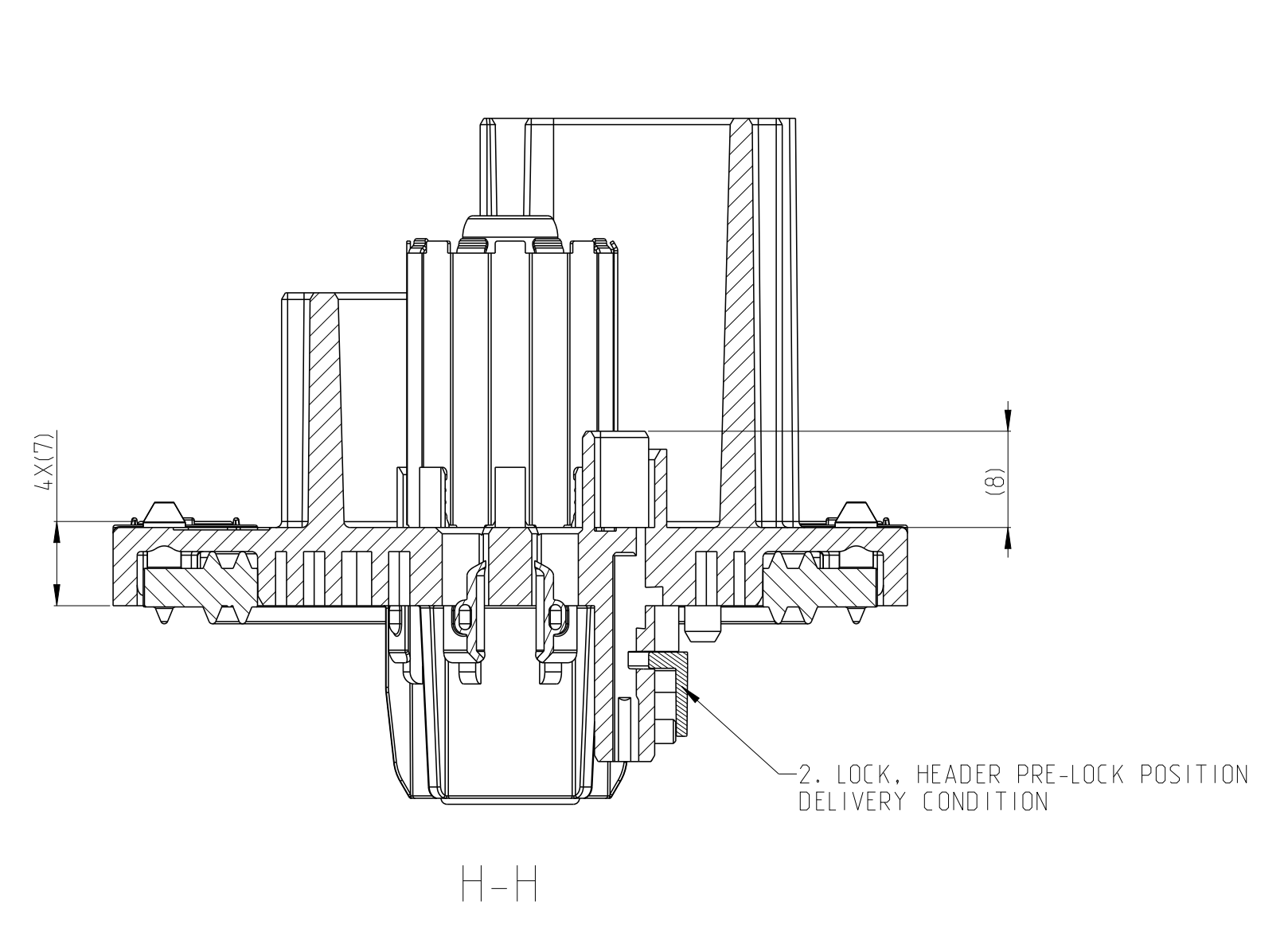
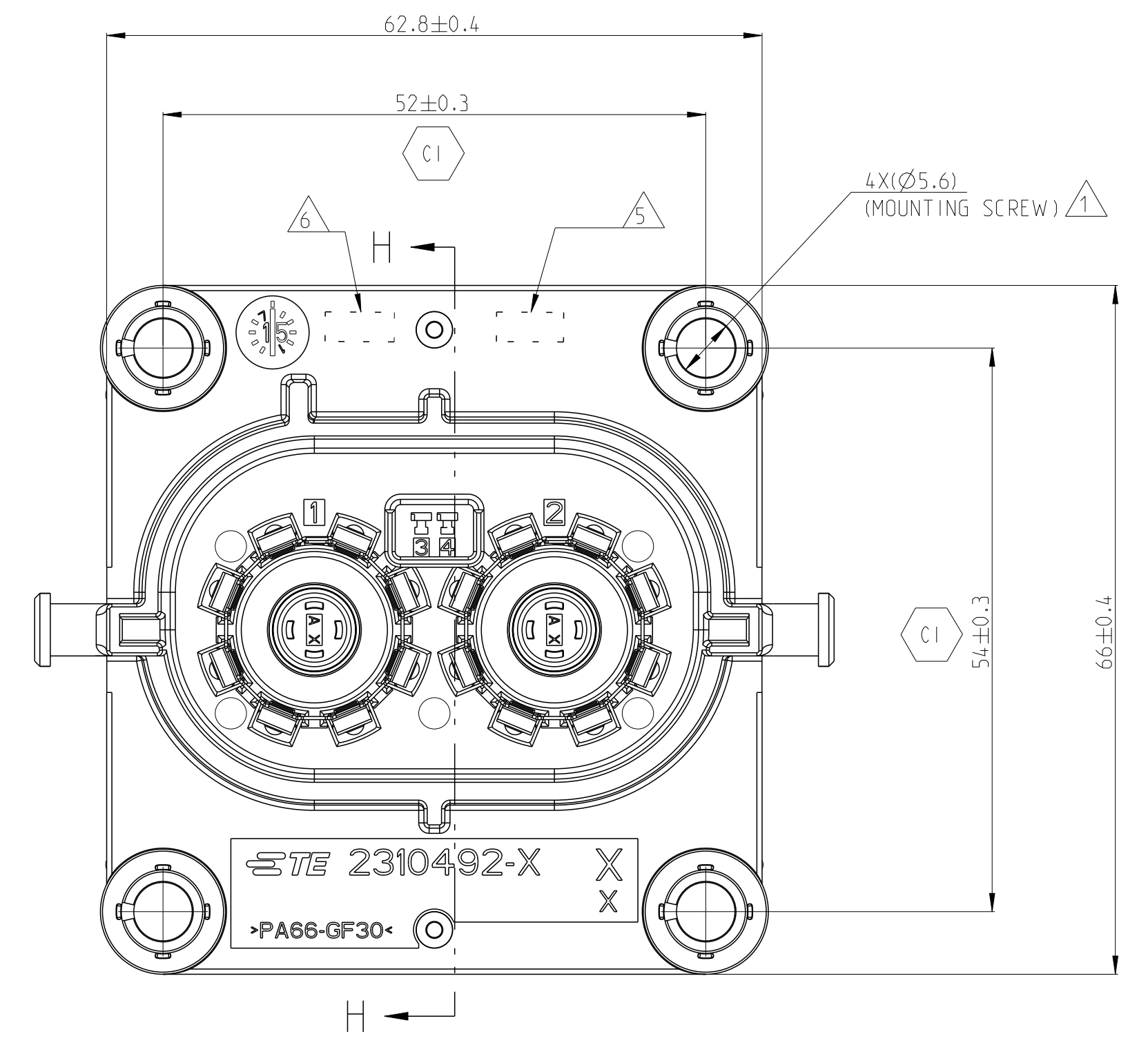
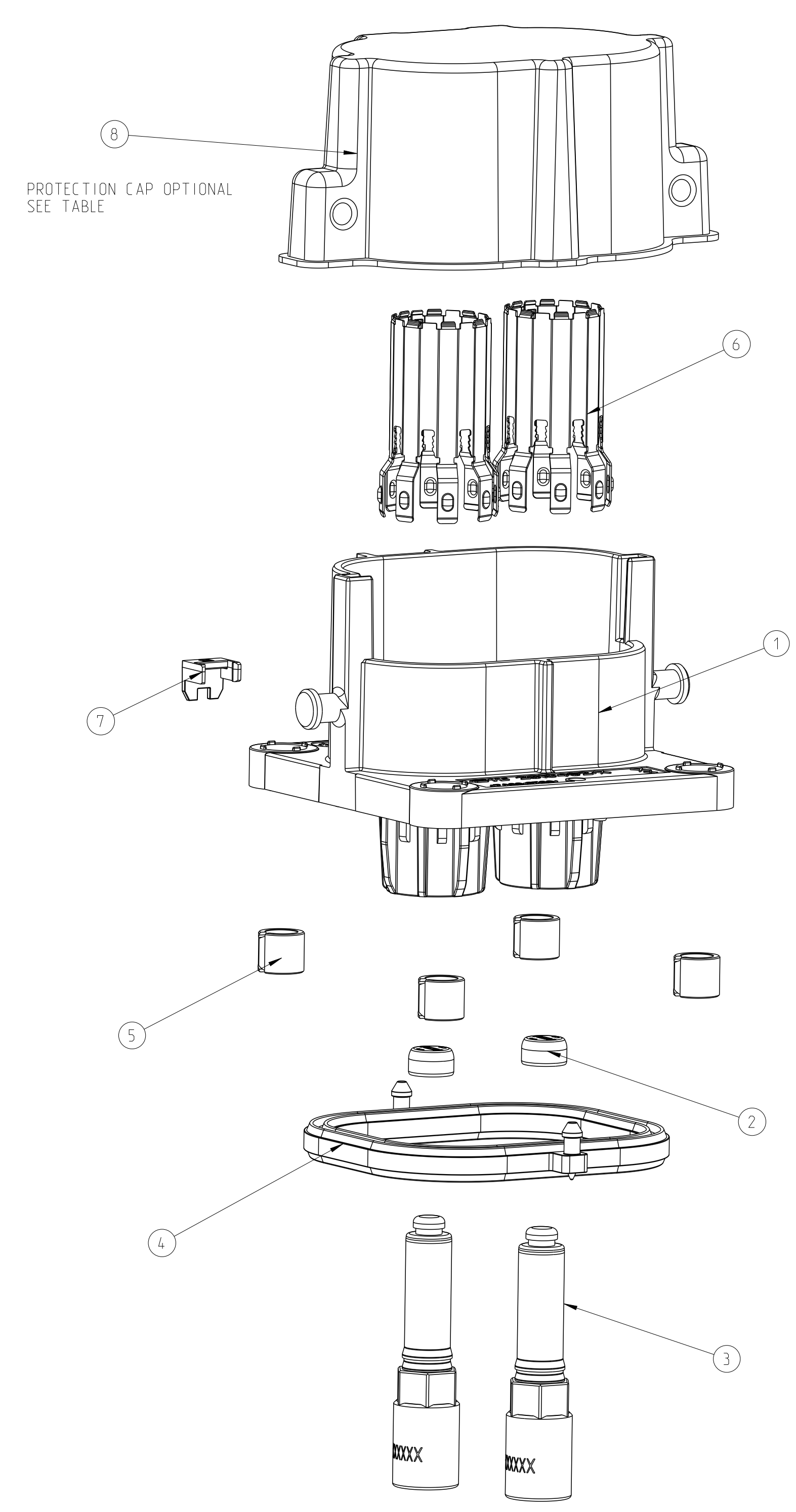


REVISIONS					
P/N	REV	DESCRIPTION	DATE	BY	APP'D
B	SEE ECR-18-012813/ECR-18-012319		01AUG18	JL	EJ
C	REVISED ECR-18-017100		07NOV2018	SK	EJ
C1	REVISED ECR-19-004927		09APR2019	SK	EJ



△ MOUNTING SCREW MS WITH MINIMUM SCREW HEAD Ø10MM. MAXIMUM SCREW HEAD Ø12MM. RECOMMENDED TIGHTENING TORQUE OF THE SCREW 6±0.5NM. THREAD ENGAGEMENT ACCORDING TO TE-DRAWING NO. 114-94032

△ RECOMMENDED TIGHTENING TORQUE OF THE SCREW M6:8±NM. A SCREW RETENTION WILL BE RECOMMENDED

3 SUITABLE HVIL-CONTACTS: TE P/N: 1418760-3

4 FIRE RETARTANT CLASS FOR PLASTIC PART MATERIAL REFER TO TABLE AS BELOW:

P/N	FIRE RETARTANT CLASS OF PLASTIC MATERIAL (NOT INCLUDE DUST CAP)	P/N	FIRE RETARTANT CLASS OF PLASTIC MATERIAL (NOT INCLUDE DUST CAP)
2322122-1	HB	3-2322122-1	VO
2322122-2			
2322122-3			
2322122-4			
2322122-5			
2322122-6			
2322122-7			
2322122-8			
1-2322122-1			
1-2322122-2			
1-2322122-3			
1-2322122-4			
1-2322122-5			
1-2322122-6			
1-2322122-7			
1-2322122-8			
2-2322122-1	HB	5-2322122-1	VO
2-2322122-2			
2-2322122-3			
2-2322122-4			
2-2322122-5			
2-2322122-6			
2-2322122-7			
2-2322122-8			

△ ASSY. P/N MARKING
 △ PRODUCTION CODE
 7 OPERATION TEMPERATURE: -40-125°C

ITEM	FEATURE	TE-PART-NO 90 DEG	TE-PART-NO 180 DEG
8	MATING CONNECTOR: 2POS.BMM HV.REC HSG. ASSY. SEALED	2310922 2141154	2310923 2177053
9	INTERFACE DRAWING FOR MATING SIDE	114-94034	
10	INTERFACE DRAWING FOR MOUNTING SIDE	114-94032	
11	PRODUCT-TSPEC	108-32233	108-32234
12	APPLICATION-SPEC	114-32213	

QTY PER ASSY PARTS	DESCRIPTION	MATERIAL	SURFACE COLOUR	WEIGHT [g]	ITEM
1	2. LOCK, IL. HEADER	PA6-(GF/GB) HB	GRAY SIM RAL 7037		7
1	SHIELDING SLEEVE	PA6-(GF) VO	RED SIM RAL 3000		6
2	COMPRESSION DELIMITER, HV HEADER	CU-ALLOY	TIN PLATED		5
4	RADIAL SEAL 56.4 X 50	SILICONE RUBBER HB	NATURE		4
1	PIN DIA 8.0. CONTACT	SILICONE RUBBER VO	DARK GREY		3
2	PROTECTION COVER 8MM HV	PA6-(GF/GB) HB	NATURE		2
2		PA6-(GF/GB) HB	BLACK SIM RAL 9005		2
2		PA66 VO	WHITE SIM RAL 9010		2
2		PA66 VO	BLACK SIM RAL 9005		2
1	2POS.PIN DIA 8.0.PIN HSG.90,SEALED	PA66-GF HB			1
1		PA66-GF HB			1
1		PA66-GF HB			1
1		PA66-GF VO	ORANGE SIM RAL 2003		1
1		PA66-GF VO			1
1		PA66-GF VO			1
1		PA66-GF VO			1

TE-ASSY-NO.	COD.	DESCRIPTION	TE-ASSY-NO.	TE-PART-NO.	DESCRIPTION	MATERIAL	SURFACE COLOUR	WEIGHT [g]	QTY	ITEM
3-2322122-8	D	2POS.PIN DIA 8.0.PIN HSG.90,ASSY PROTECTION CAP	9-2208100-1	2POS. PROTECTION CAP	PS	BLACK SIM RAL 9005	(3.3)	1	8	1-7
3-2322122-7	C	2POS.PIN DIA 8.0.PIN HSG.90,ASSY PROTECTION CAP	9-2208100-1	2POS. PROTECTION CAP	PS	BLACK SIM RAL 9005	(3.3)	1	8	1-7
3-2322122-6	B	2POS.PIN DIA 8.0.PIN HSG.90,ASSY PROTECTION CAP	9-2208100-1	2POS. PROTECTION CAP	PS	BLACK SIM RAL 9005	(3.3)	1	8	1-7
3-2322122-5	A	2POS.PIN DIA 8.0.PIN HSG.90,ASSY PROTECTION CAP	9-2208100-1	2POS. PROTECTION CAP	PS	BLACK SIM RAL 9005	(3.3)	1	8	1-7
2322122-8	D	2POS.PIN DIA 8.0.PIN HSG.90,ASSY PROTECTION CAP	9-2208100-1	2POS. PROTECTION CAP	PS	BLACK SIM RAL 9005	(3.3)	1	8	1-7
2322122-7	C	2POS.PIN DIA 8.0.PIN HSG.90,ASSY PROTECTION CAP	9-2208100-1	2POS. PROTECTION CAP	PS	BLACK SIM RAL 9005	(3.3)	1	8	1-7
2322122-6	B	2POS.PIN DIA 8.0.PIN HSG.90,ASSY PROTECTION CAP	9-2208100-1	2POS. PROTECTION CAP	PS	BLACK SIM RAL 9005	(3.3)	1	8	1-7
2322122-5	A	2POS.PIN DIA 8.0.PIN HSG.90,ASSY PROTECTION CAP	9-2208100-1	2POS. PROTECTION CAP	PS	BLACK SIM RAL 9005	(3.3)	1	8	1-7

THIS DRAWING IS A CONTROLLED DOCUMENT. DATE: 09APR2019

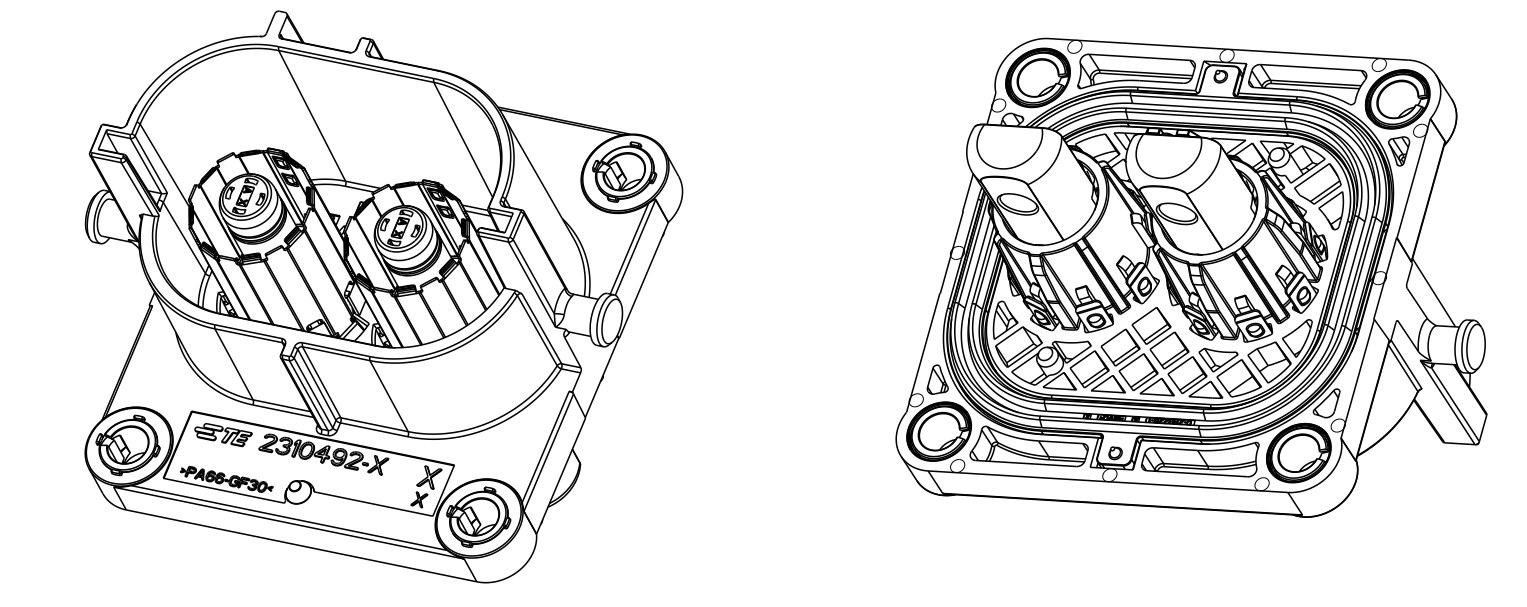
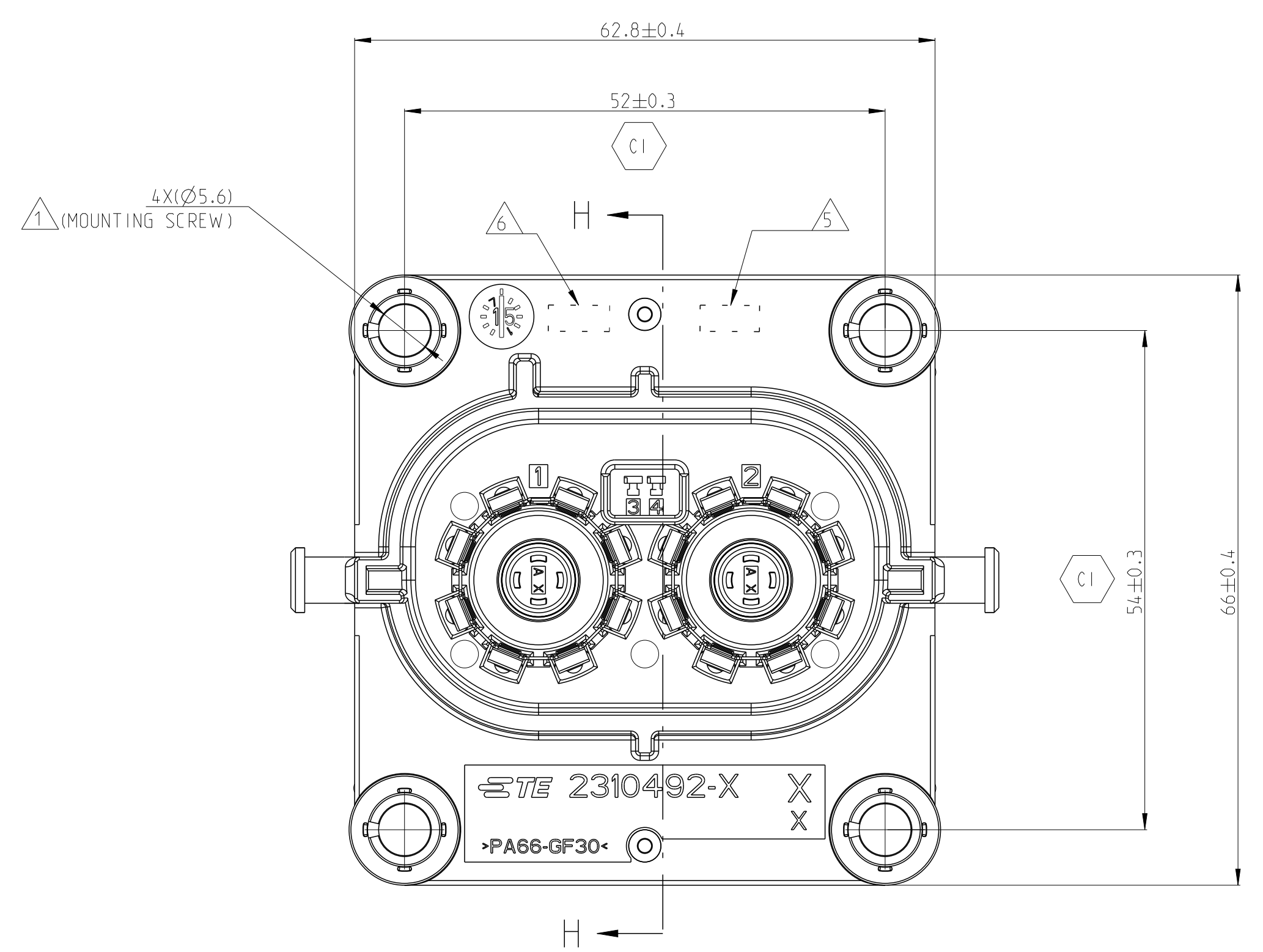
TE Connectivity

2POS.PIN DIA 8.0.PIN HSG.ASSY

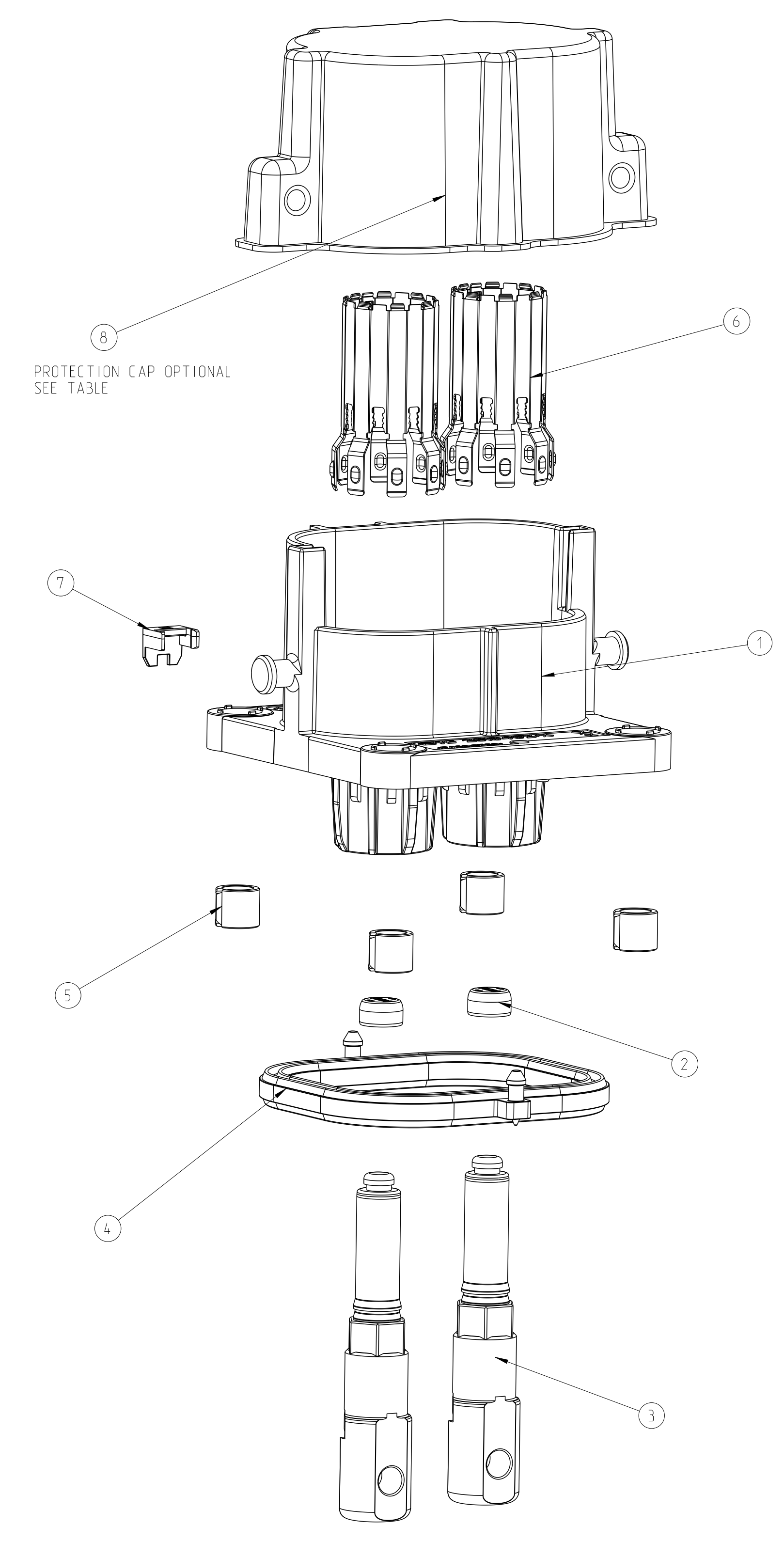
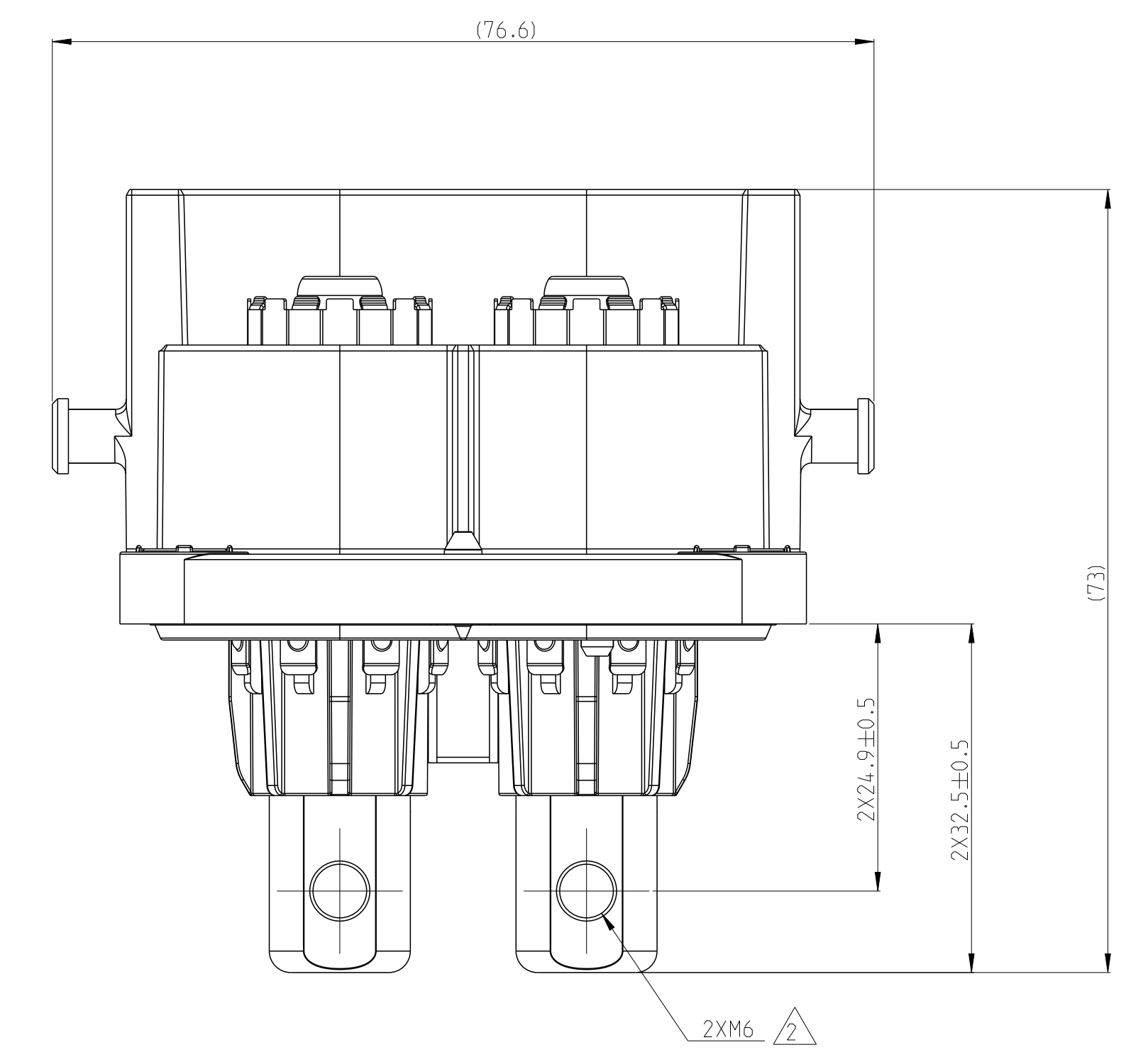
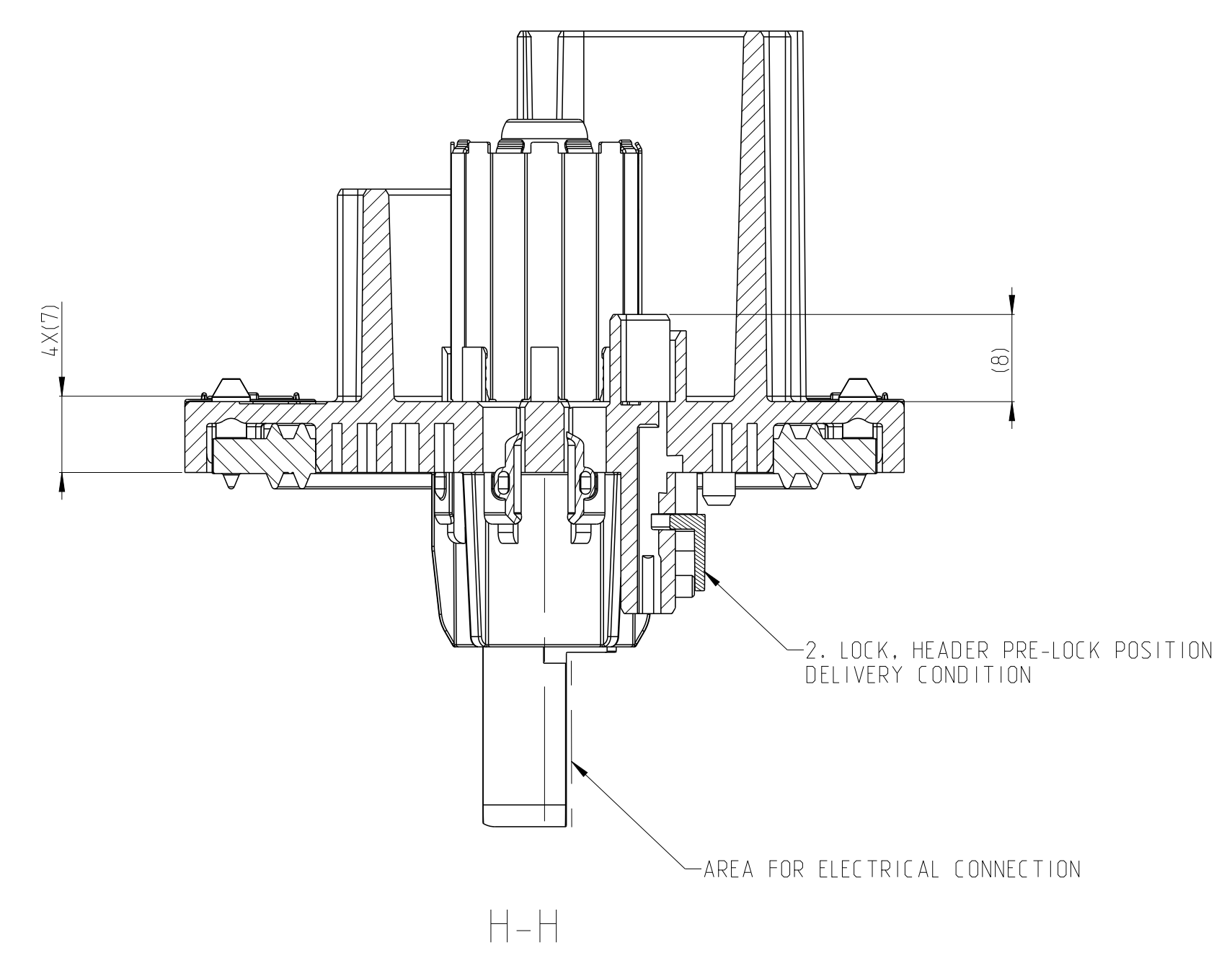
SCALE: 2:1

REV: C1

REVISIONS			
NO.	DATE	DESCRIPTION	BY
1	02AUG2017	SEE SHEET 1	



1-1 AS SHOWN



QTY	DESCRIPTION	MATERIAL	SURFACE COLOUR	WEIGHT (g)	ITEM
1	2 LOCK, IL. HEADER	PA6-(GF) HB	GRAY SIM RAL 7037		7
1	SHIELDING SLEEVE	PA6-(GF) VO	RED SIM RAL 3000		6
2	COMPRESSION DELIMITER, HV HEADER	Cu-ALLOY	TIN PLATED		5
4	RADIAL SEAL 56.4 X 50	SILICONE RUBBER HB	NATURE		4
1	PIN DIA 8.0, PIN, M6	SILICONE RUBBER VO	DARK GREY		3
2	PROTECTION COVER 8MM HV	Cu-ALLOY	SILVER PLATED		2
2	2POS,PIN DIA 8.0,PIN HSG,90, SEALED	PA6-(GF) HB	NATURE	(144.4)	1
2		PA6-(GF) HB	BLACK SIM RAL 9005		
2		PA66 VO	WHITE SIM RAL 9010		
2		PA66 VO	BLACK SIM RAL 9005		
2		PA66-GF HB			
2		PA66-GF HB			
2		PA66-GF HB			
2		PA66-GF VO	ORANGE SIM RAL 2003		
1	DESCRIPTION	MATERIAL	SURFACE COLOUR	WEIGHT (g)	ITEM
2POS,PIN DIA 8.0,PIN HSG,90,ASSY		DESCRIPTION			
QTY PER ASSY PARTS		PART LIST			

ITEM	DESCRIPTION	TE-ASSY-NO.	TE-PART-NO.	DESCRIPTION	MATERIAL	SURFACE COLOUR	WEIGHT (g)	QTY	ITEM
4-2322122-8	2POS,PIN DIA 8.0,PIN HSG,90,ASSY BUSBAR M6 PROTECTION CAP	-	9-2208100-1	2POS. PROTECTION CAP	PS	BLACK SIM RAL 9005	(3.3)	1	B
4-2322122-7	2POS,PIN DIA 8.0,PIN HSG,90,ASSY BUSBAR M6 PROTECTION CAP	3-2322122-4	-	2POS,PIN DIA 8.0,PIN HSG,90,ASSY BUSBAR M6	-	-	-	1	1-7
4-2322122-6	2POS,PIN DIA 8.0,PIN HSG,90,ASSY BUSBAR M6 PROTECTION CAP	3-2322122-3	-	2POS. PROTECTION CAP	PS	BLACK SIM RAL 9005	(3.3)	1	B
4-2322122-5	2POS,PIN DIA 8.0,PIN HSG,90,ASSY BUSBAR M6 PROTECTION CAP	-	9-2208100-1	2POS. PROTECTION CAP	PS	BLACK SIM RAL 9005	(3.3)	1	B
1-2322122-8	2POS,PIN DIA 8.0,PIN HSG,90,ASSY BUSBAR M6 PROTECTION CAP	-	9-2208100-1	2POS. PROTECTION CAP	PS	BLACK SIM RAL 9005	(3.3)	1	B
1-2322122-7	2POS,PIN DIA 8.0,PIN HSG,90,ASSY BUSBAR M6 PROTECTION CAP	1-2322122-4	-	2POS,PIN DIA 8.0,PIN HSG,90,ASSY BUSBAR M6	-	-	-	1	1-7
1-2322122-6	2POS,PIN DIA 8.0,PIN HSG,90,ASSY BUSBAR M6 PROTECTION CAP	1-2322122-3	-	2POS. PROTECTION CAP	PS	BLACK SIM RAL 9005	(3.3)	1	B
1-2322122-5	2POS,PIN DIA 8.0,PIN HSG,90,ASSY BUSBAR M6 PROTECTION CAP	-	9-2208100-1	2POS. PROTECTION CAP	PS	BLACK SIM RAL 9005	(3.3)	1	B
9-2322122-1	2POS,PIN DIA 8.0,PIN HSG,90,ASSY BUSBAR M6	1-2322122-2	-	2POS,PIN DIA 8.0,PIN HSG,90,ASSY BUSBAR M6	-	-	-	1	1-7
1-2322122-5	2POS,PIN DIA 8.0,PIN HSG,90,ASSY BUSBAR M6 PROTECTION CAP	-	9-2208100-1	2POS. PROTECTION CAP	PS	BLACK SIM RAL 9005	(3.3)	1	B
1-2322122-5	2POS,PIN DIA 8.0,PIN HSG,90,ASSY BUSBAR M6 PROTECTION CAP	1-2322122-1	-	2POS,PIN DIA 8.0,PIN HSG,90,ASSY BUSBAR M6	-	-	-	1	1-7

THIS DRAWING IS A CONTROLLED DOCUMENT.

DATE: 09APR2019
 BY: J.L.L.
 CH: S.Y.WANG
 APPROV: 02AUG2017

TE Connectivity

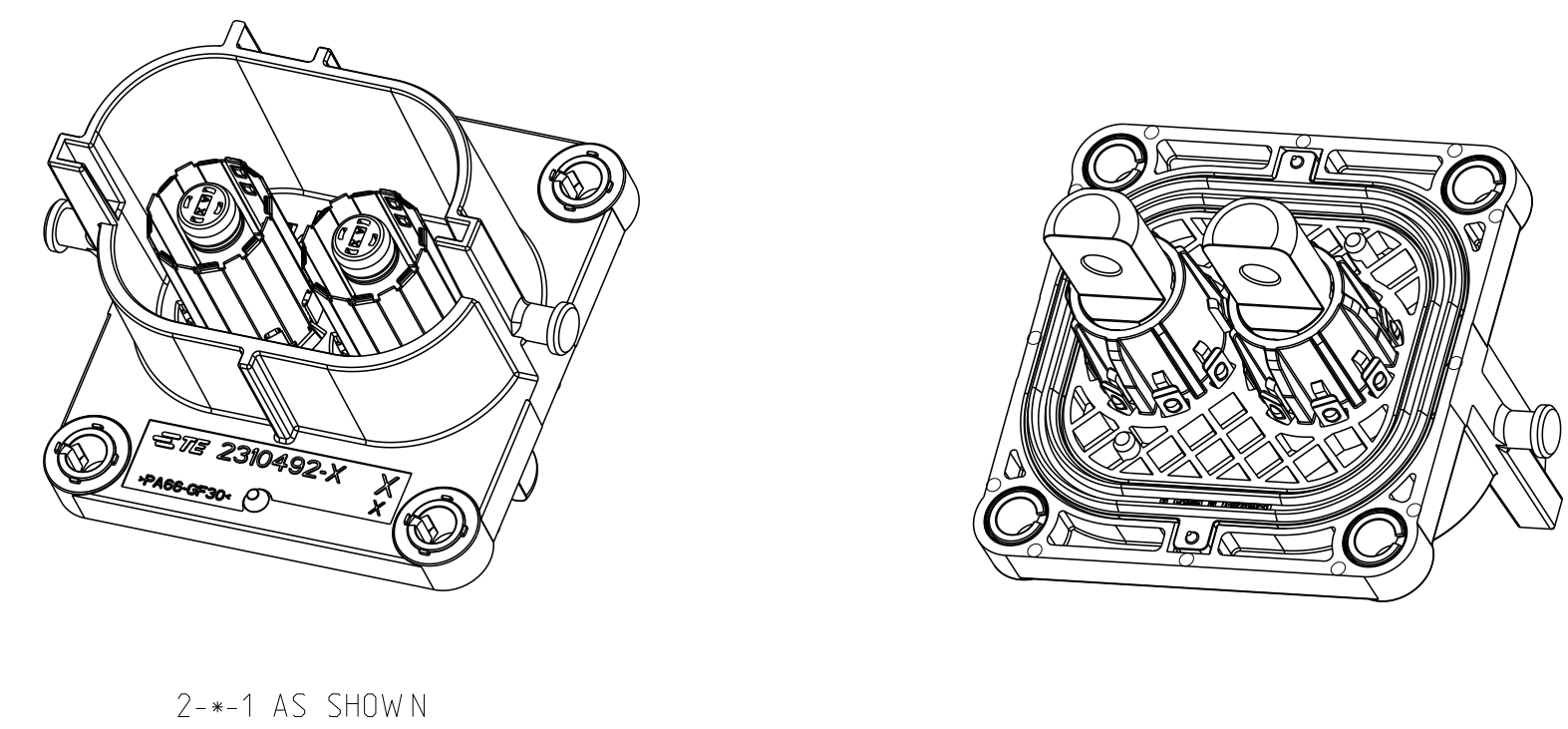
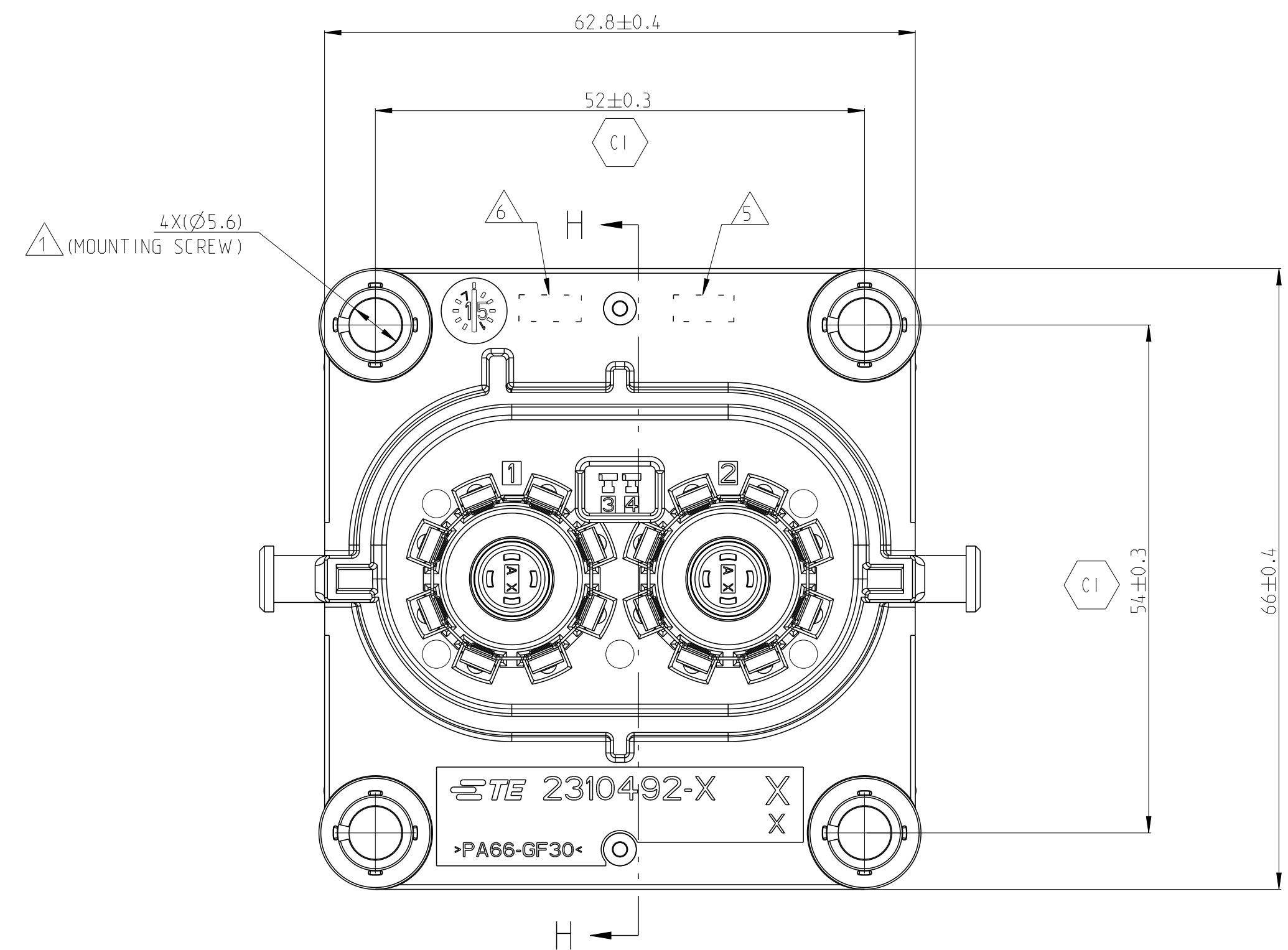
NAME: 2POS,PIN DIA 8.0,PIN HSG,ASSY

SIZE: A0 CASE CODE: 00779 DRAWING NO: 2322122

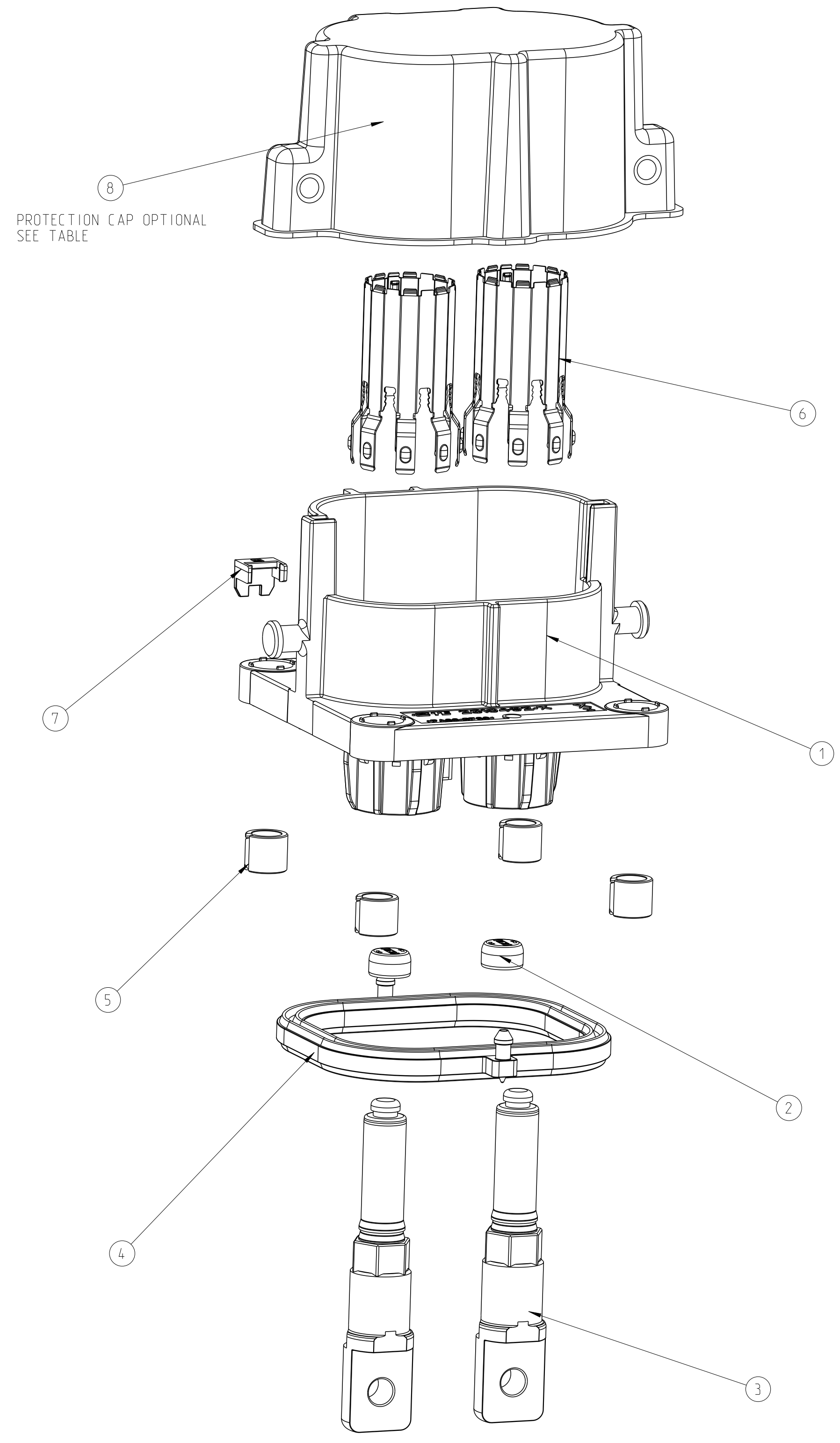
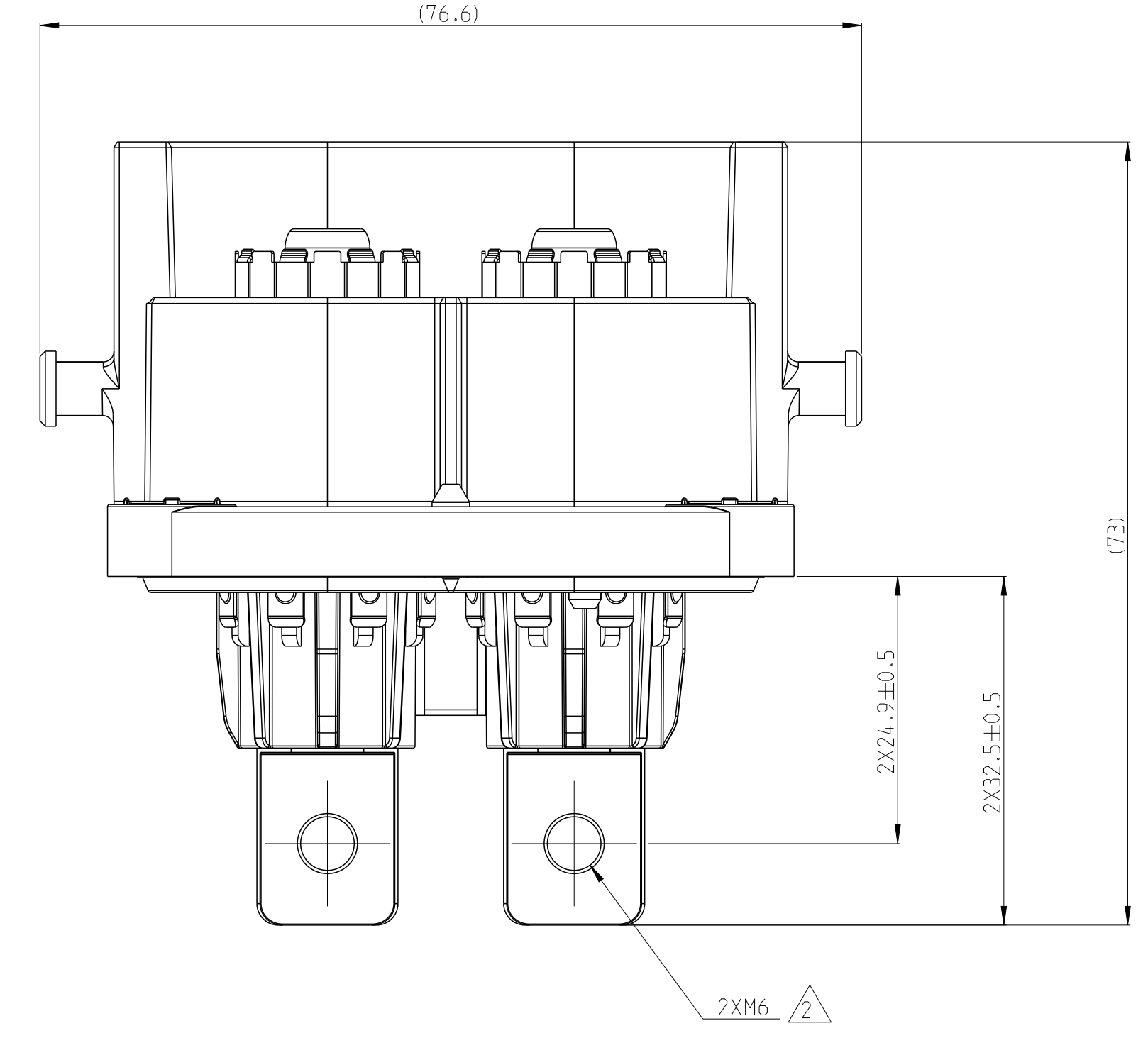
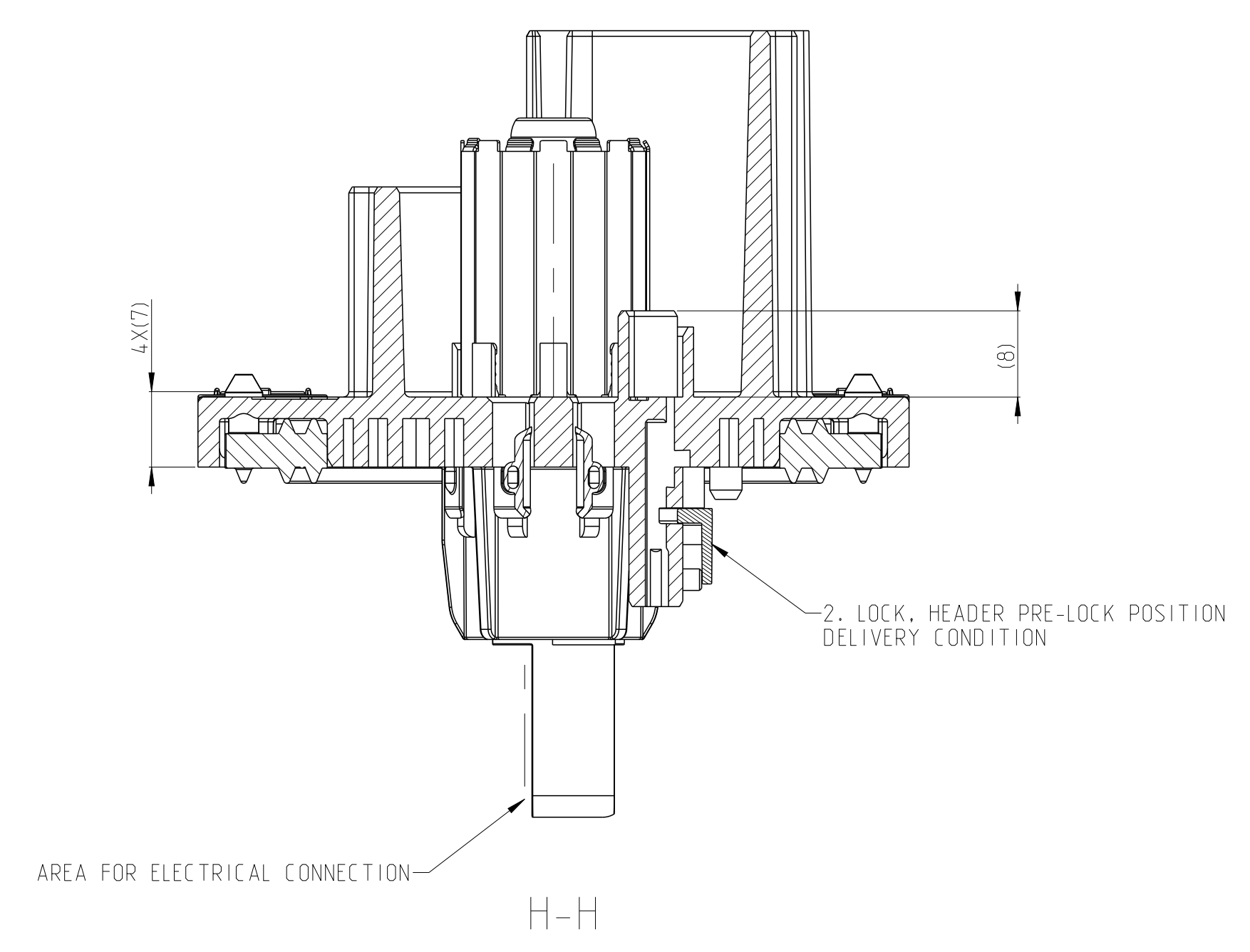
SCALE: 2:1 SHEET 2 OF 4

RESTRICTED TO CUSTOMER DRAWING-RESTRICTED CUSTOMER

REVISIONS			
REV	DATE	DESCRIPTION	BY
1		SEE SHEET 1	



2-1 AS SHOWN



QTY PER ASSY PARTS	DESCRIPTION	MATERIAL	SURFACE COLOUR	WEIGHT [g]	ITEM
1	2. LOCK, IL. HEADER	PA6-(GF) HB	GRAY SIM RAL 7037		7
1	SHIELDING SLEEVE	PA6-(GF) VO	RED SIM RAL 3000		6
1	COMPRESSION DELIMITER, HV HEADER	CARBON STEEL	ZnNi - PLATING		5
1	RADIAL SEAL 56.4 X 50	SILICONE RUBBER HB	NATURE		4
1	PIN DIA 8.0. PIN. M6	Cu-ALLOY	SILVER PLATED		3
2	PROTECTION COVER 8MM HV	PA6-(GF) HB	NATURE		2
2		PA66 VO	BLACK SIM RAL 9005		
2		PA66 VO	WHITE SIM RAL 9010		
2		PA66-GF HB	BLACK SIM RAL 9005	(144.4)	
1	2POS.PIN DIA 8.0.PIN HSG.90.SEALED	PA66-GF HB	ORANGE SIM RAL 2003		1
1		PA66-GF HB			
1		PA66-GF HB			
1		PA66-GF VO			
1		PA66-GF VO			
1		PA66-GF VO			

TE-ASSY-NO.	COD.	DESCRIPTION	TE-ASSY-NO.	TE-PART-NO.	DESCRIPTION	MATERIAL	SURFACE COLOUR	WEIGHT [g]	QTY	ITEM
5-2322122-8	D	2POS.PIN DIA 8.0.PIN HSG.90.ASSY BUSBAR M6 PROTECTION CAP	9-2208100-1	2POS. PROTECTION CAP	PS	BLACK SIM RAL 9005	(3.3)	1	8	
5-2322122-7	C	2POS.PIN DIA 8.0.PIN HSG.90.ASSY BUSBAR M6 PROTECTION CAP	9-2208100-1	2POS. PROTECTION CAP	PS	BLACK SIM RAL 9005	(3.3)	1	8	
5-2322122-6	B	2POS.PIN DIA 8.0.PIN HSG.90.ASSY BUSBAR M6 PROTECTION CAP	9-2208100-1	2POS. PROTECTION CAP	PS	BLACK SIM RAL 9005	(3.3)	1	8	
5-2322122-5	A	2POS.PIN DIA 8.0.PIN HSG.90.ASSY BUSBAR M6 PROTECTION CAP	9-2208100-1	2POS. PROTECTION CAP	PS	BLACK SIM RAL 9005	(3.3)	1	8	

TE-ASSY-NO.	COD.	DESCRIPTION	TE-ASSY-NO.	TE-PART-NO.	DESCRIPTION	MATERIAL	SURFACE COLOUR	WEIGHT [g]	QTY	ITEM
2-2322122-8	D	2POS.PIN DIA 8.0.PIN HSG.90.ASSY BUSBAR M6 PROTECTION CAP	9-2208100-1	2POS. PROTECTION CAP	PS	BLACK SIM RAL 9005	(3.3)	1	8	
2-2322122-7	C	2POS.PIN DIA 8.0.PIN HSG.90.ASSY BUSBAR M6 PROTECTION CAP	9-2208100-1	2POS. PROTECTION CAP	PS	BLACK SIM RAL 9005	(3.3)	1	8	
2-2322122-6	B	2POS.PIN DIA 8.0.PIN HSG.90.ASSY BUSBAR M6 PROTECTION CAP	9-2208100-1	2POS. PROTECTION CAP	PS	BLACK SIM RAL 9005	(3.3)	1	8	
2-2322122-5	A	2POS.PIN DIA 8.0.PIN HSG.90.ASSY BUSBAR M6 PROTECTION CAP	9-2208100-1	2POS. PROTECTION CAP	PS	BLACK SIM RAL 9005	(3.3)	1	8	

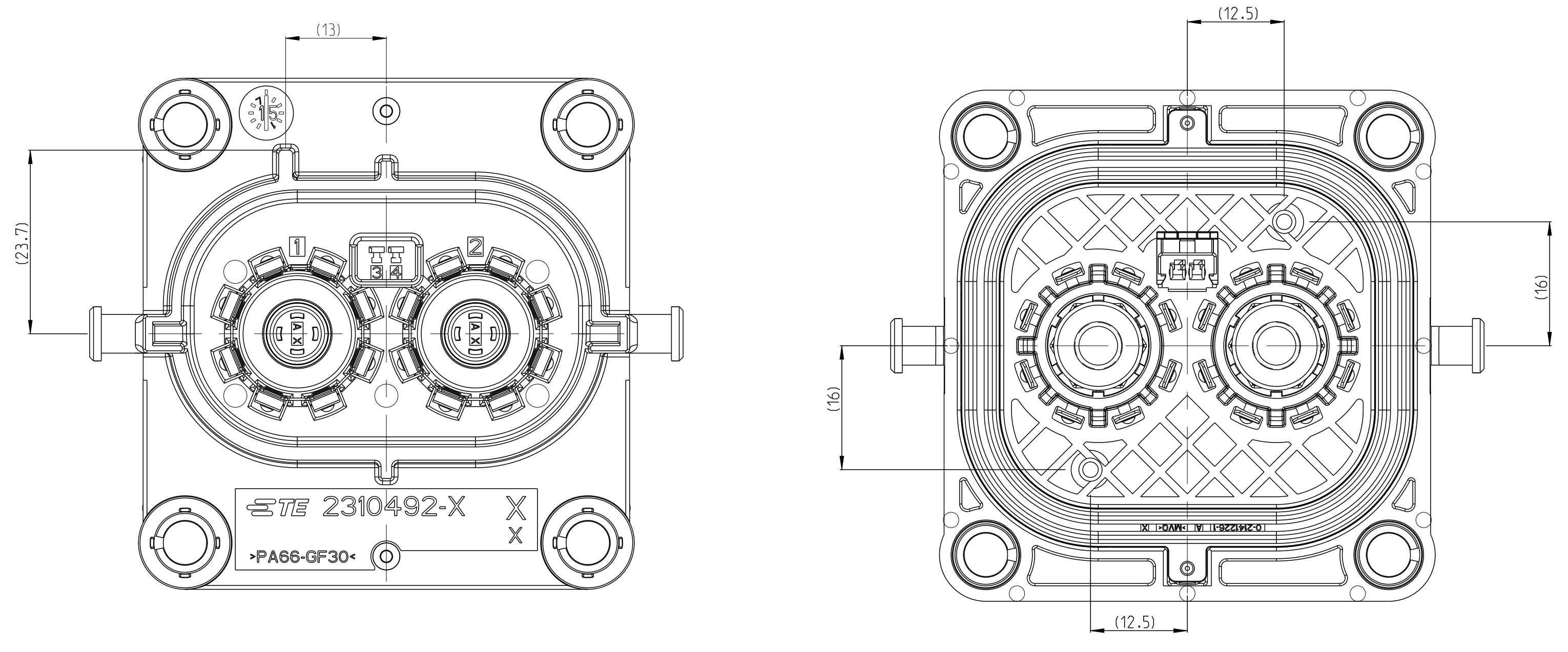
THIS DRAWING IS A CONTROLLED DOCUMENT. DATE: 09APR2019. DRAWN BY: J.L.L. CHECKED BY: S.Y.WANG. APPROVED BY: J.Y.LIN. PRODUCT SPEC: 2POS.PIN DIA 8.0.PIN HSG.90.ASSY. MATERIAL: SEE TABLE. SCALE: 2:1. SHEET 3 OF 4. REV C1.

REVISIONS			
NO.	DATE	DESCRIPTION	BY
1		SEE SHEET 1	

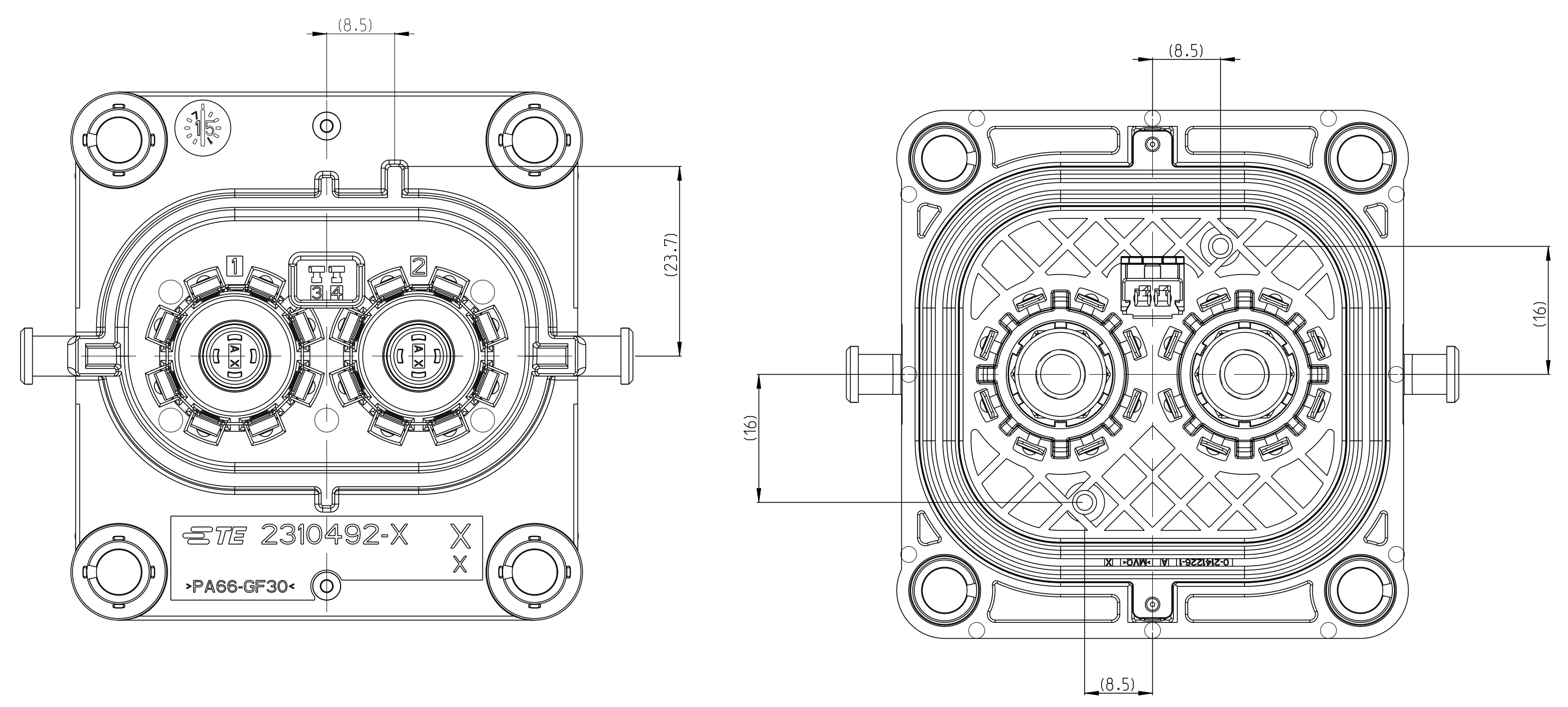
CODING DEFINITION FOR ALL VARIANT

ACCORDING TO INTERFACE DRAWING: 114-94034 AND 114-94032

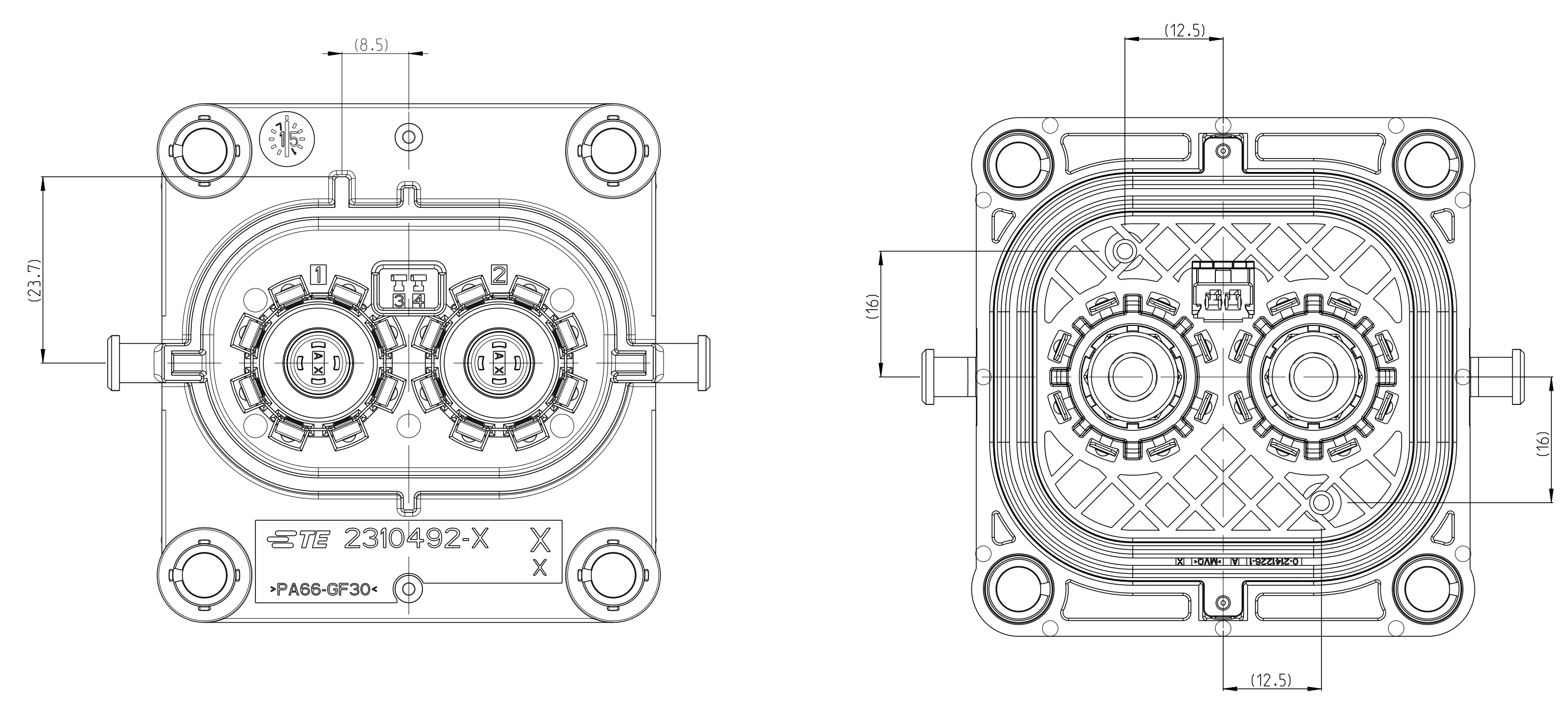
CODING A



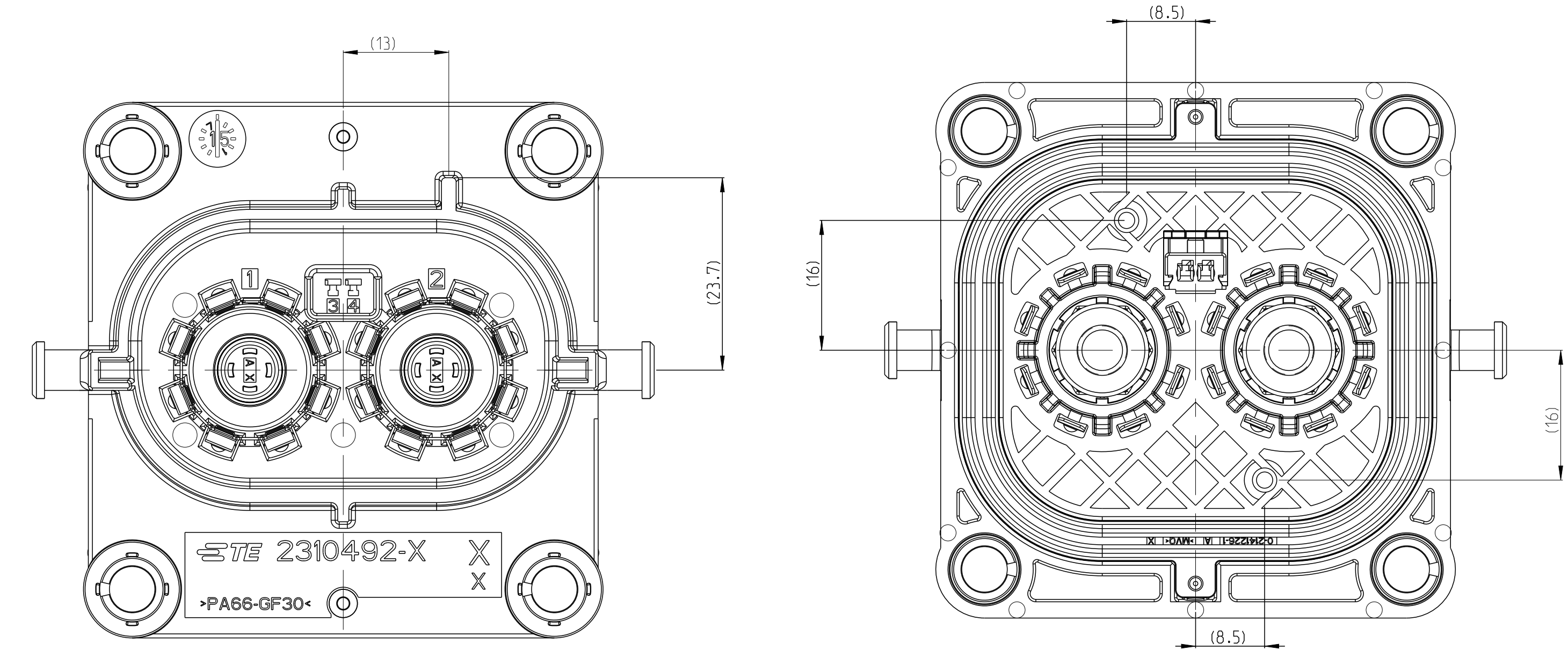
CODING C



CODING B



CODING D



THIS DRAWING IS A CONTROLLED DOCUMENT.

DATE: 09APR2019	BY: J.L.L.
DATE: 24 JUL 2017	CHK: S.Y. WANG
DATE: 02AUG2017	APPROV: S.Y. WANG

TE Connectivity

2POS.PIN DIA 8.0PIN HSG.ASSY

SCALE: 2:1 SHEET 4 OF 4 REV C1