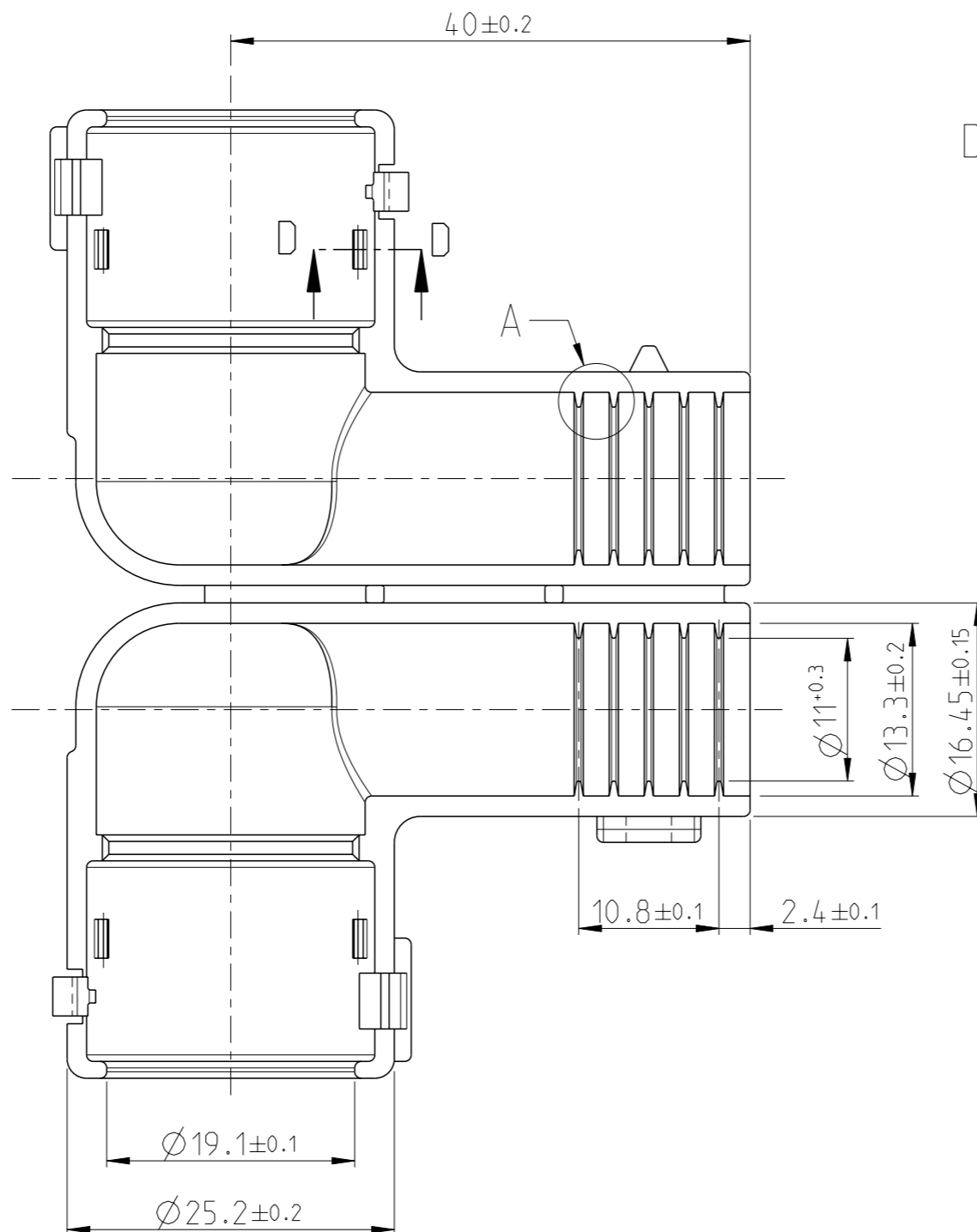
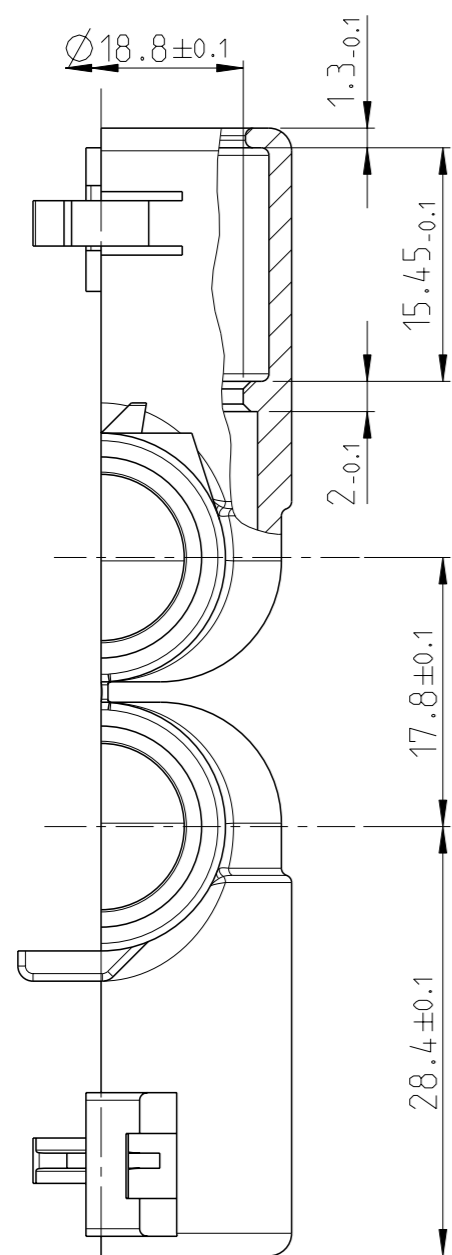
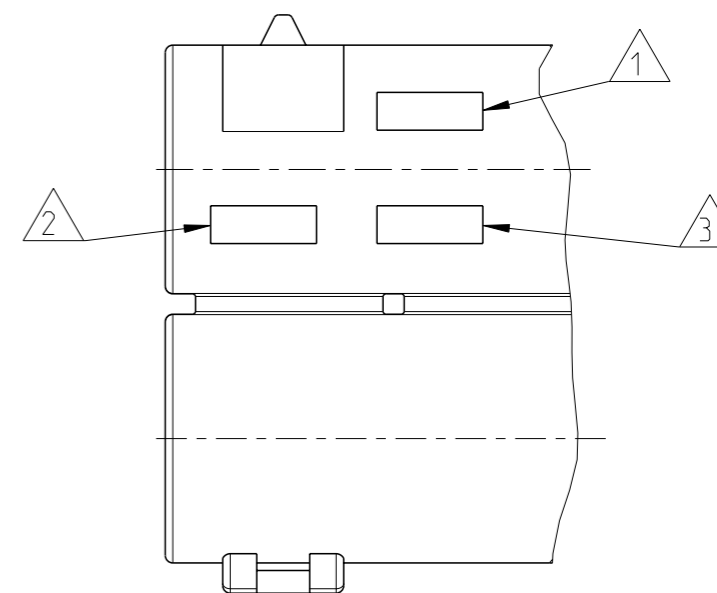
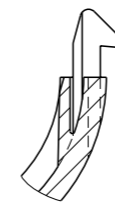


LOC	DIST
FM	1

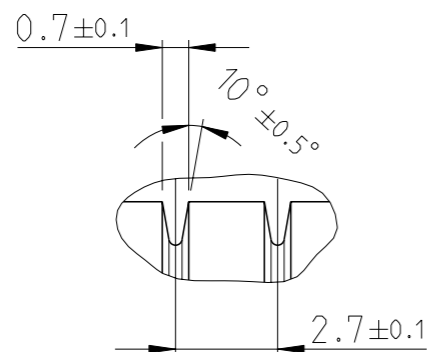
REVISIONS					
P	LTR	DESCRIPTION	DATE	DWN	APVD
	D	EH-1552-95	19DEC1995	JVL	J.J.
	E	EH-0589-96	22MAY1996	J.Z.	J.J.
	E1	ECR-11-019959	02NOV2011	GN	GB



D-D




A
5:1



NOTES:

- 1 TRADEMARK PER SPEC. 115-19030-3
- 2 TE-IDENTIFICATION NUMBER ACC. DIN 1451 MITTLESCHRIFT, HEIGHT 1.2mm, RAISED 0.15mm
- 3 TE-MOLD IDENTIFICATION NUMBER.
- 4 MATERIAL: PBT
COLOR: BLACK

THIS DRAWING IS A CONTROLLED DOCUMENT.		DWN	J.V.LIEMPT.	10FEB1992	 TE Connectivity						
DIMENSIONS: mm		CHK	R.O.T.BERG	25FEB1992							
TOLERANCES UNLESS OTHERWISE SPECIFIED:		APVD	L.V.SOEST.	25FEB1992							
0 PLC ±- 1 PLC ±0.1 2 PLC ±0.05 3 PLC ±0.005 4 PLC ±- ANGLES ±0°.30'		PRODUCT SPEC	NAME			ADAPTER 90 DEG M24/M27 VERSION					
MATERIAL PBT		FINISH	-		APPLICATION SPEC	SIZE	CAGE CODE	DRAWING NO	RESTRICTED TO		
-		-		WEIGHT	-		A3	00779	©=100291	-	
CUSTOMER DRAWING		SCALE		2:1	SHEET		1	OF	1	REV	E1