

THIS DRAWING IS UNPUBLISHED.

RELEASED FOR PUBLICATION

© COPYRIGHT 19-

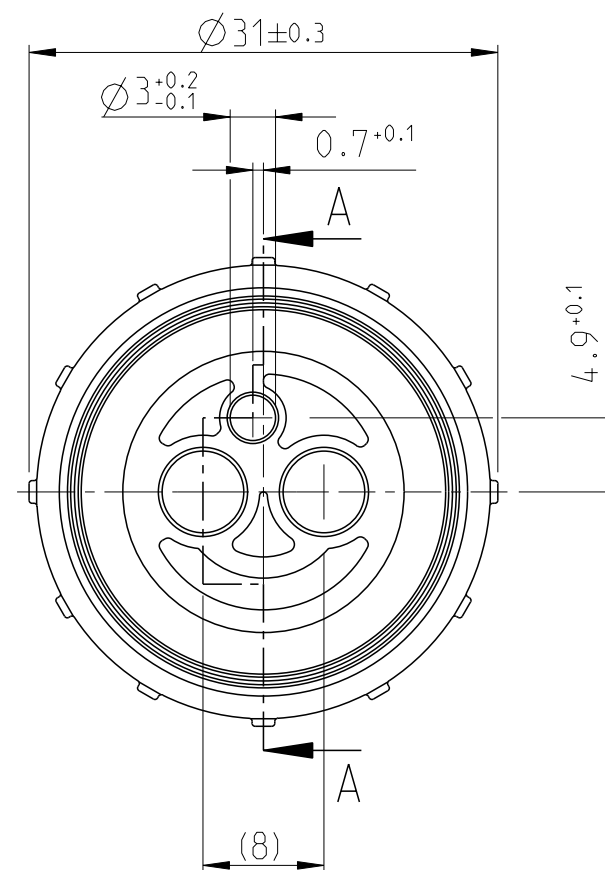
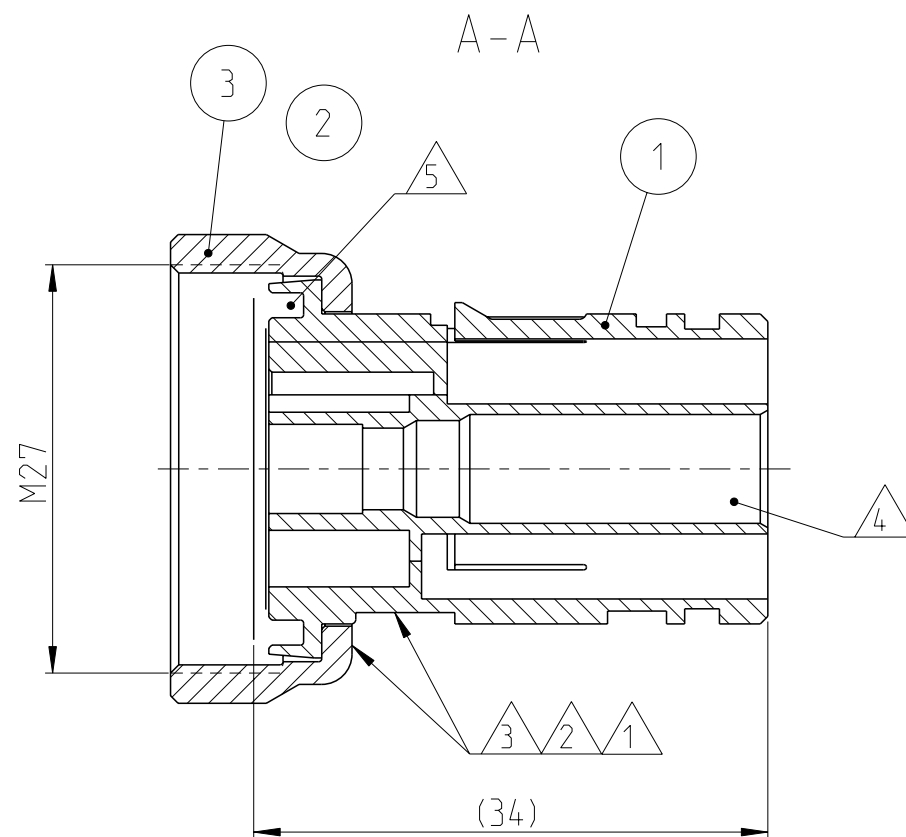
ALL RIGHTS RESERVED.

LOC
FM

DIST
-

REVISIONS

| P | LTR | DESCRIPTION | DATE | DWN | APVD |
|----|-----|---------------|-----------|-----|------|
| C | | EH-0589-96 | 22MAY1996 | JZ | JJ |
| D | | EH-0848-96 | 22JUL1996 | DK | JJ |
| D1 | | ECR-11-019959 | 02NOV2011 | GN | GB |
| D2 | | ECR-13-014597 | 21JAN2014 | GB | SzG |




NOTES:

- 1 TRADEMARK PER SPEC. 115-19030-3
- 2 TE-IDENTIFICATION NUMBER ACC. DIN 1451 MITTLESCHR. HEIGHT 1.2
- 3 TE-MOLD IDENTIFICATION NUMBER
- 4 CAVITY FOR;
 - 1. 4mm. SOCKET CONTACT WIRE SIZE 0.5-4mm² SEE DRAWING NR.962952-1 NR.962954-1 NR.962956-1
 - 2. SCAT SEE DRAWING NR.963243-1 NR.963244-1
- 5 SEAL BONDED IN INSERT.

-1 AS SHOWN
-2 WITHOUT NUT 100295-1

| PBT | NUT M27 | BLACK | 100295-1 | 3 |
|----------------|----------------|---------------|----------|------|
| SILICON RUBBER | SEALING RING | BLACK | 100293-1 | 2 |
| PBT | 2-POS. HOUSING | BLACK | 100288-1 | 1 |
| MATERIAL | DESCRIPTION | COLOUR/FINISH | PART NO | ITEM |

| | | | | |
|--|--|--------------------------------|---|------------------------|
| THIS DRAWING IS A CONTROLLED DOCUMENT. | | DWN J.V.LIEMPT 10FEB1992 |  TE Connectivity | |
| DIMENSIONS: mm | | CHK R.O.T.BERG | | |
| TOLERANCES UNLESS OTHERWISE SPECIFIED: | | APVD L.V.SOEST | NAME ASSY 2 POS. HOUSING FOR 4mm. SOCKET CONTACT M27 VERSION | |
| 0 PLC ± 1 PLC ±0.2 2 PLC ±0.02 3 PLC ±0.005 4 PLC ± ANGLES ±° | | PRODUCT SPEC | SIZE A3 | |
| MATERIAL | | APPLICATION SPEC | CAGE CODE 00779 | DRAWING NO C=100284 |
| FINISH | | WEIGHT | RESTRICTED TO | |
| | | CUSTOMER DRAWING | | SCALE 2:1 |
| | | SHEET 1 OF 1 | | REV D2 |