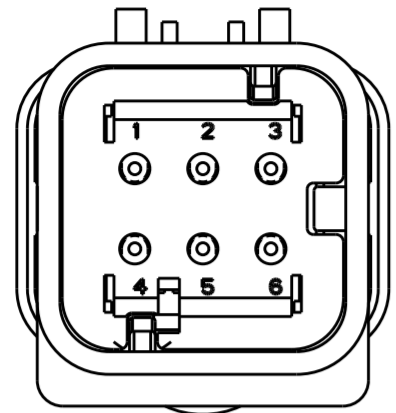
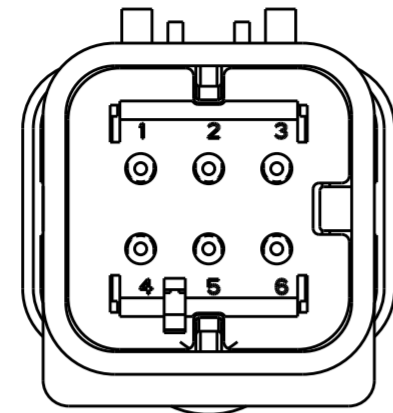


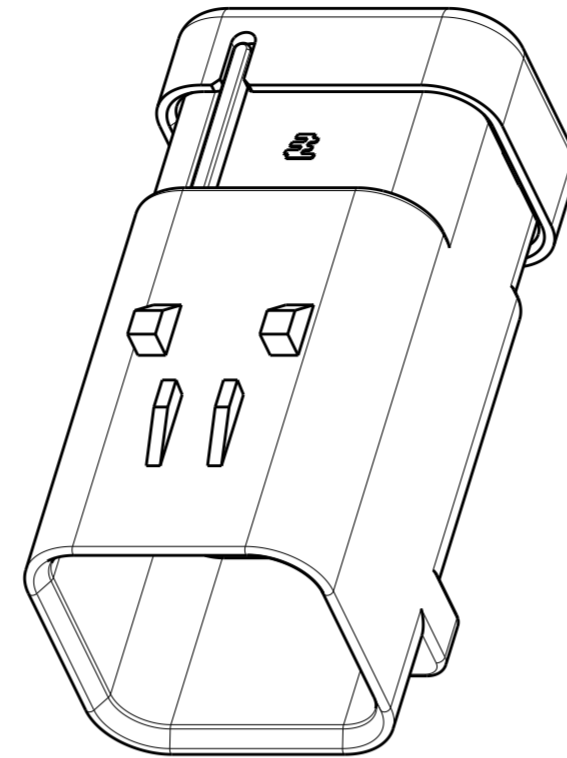
REVISIONS					
P	LTR	DESCRIPTION	DATE	DWN	APVD
C		REVISED ECR-08-020709	18AUG2008	S.K	S.M
D		REVISED ECR-14-000206	26DEC2013	DR	RB



1717975-2
SCALE 2:1



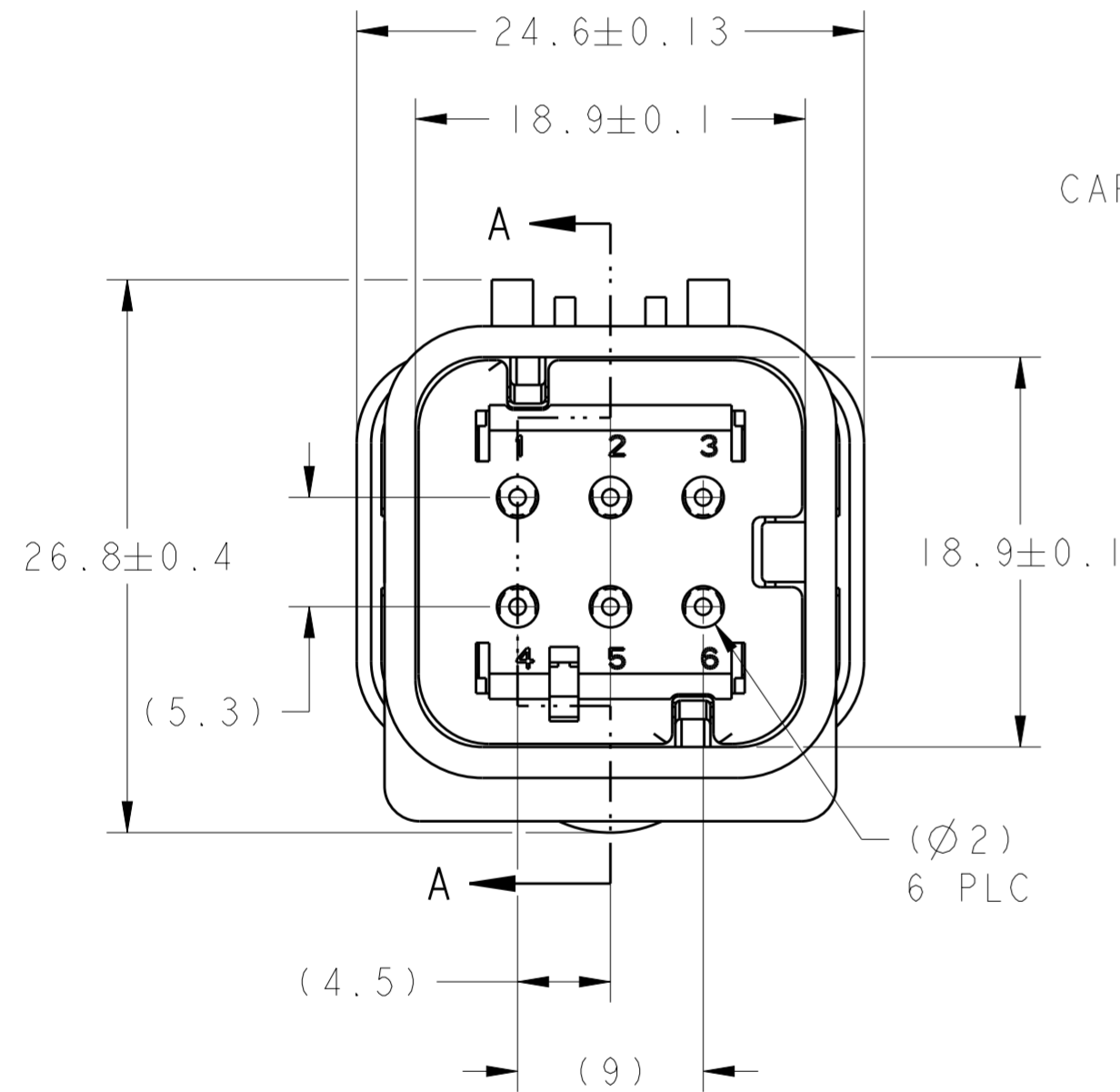
1717975-3
SCALE 2:1



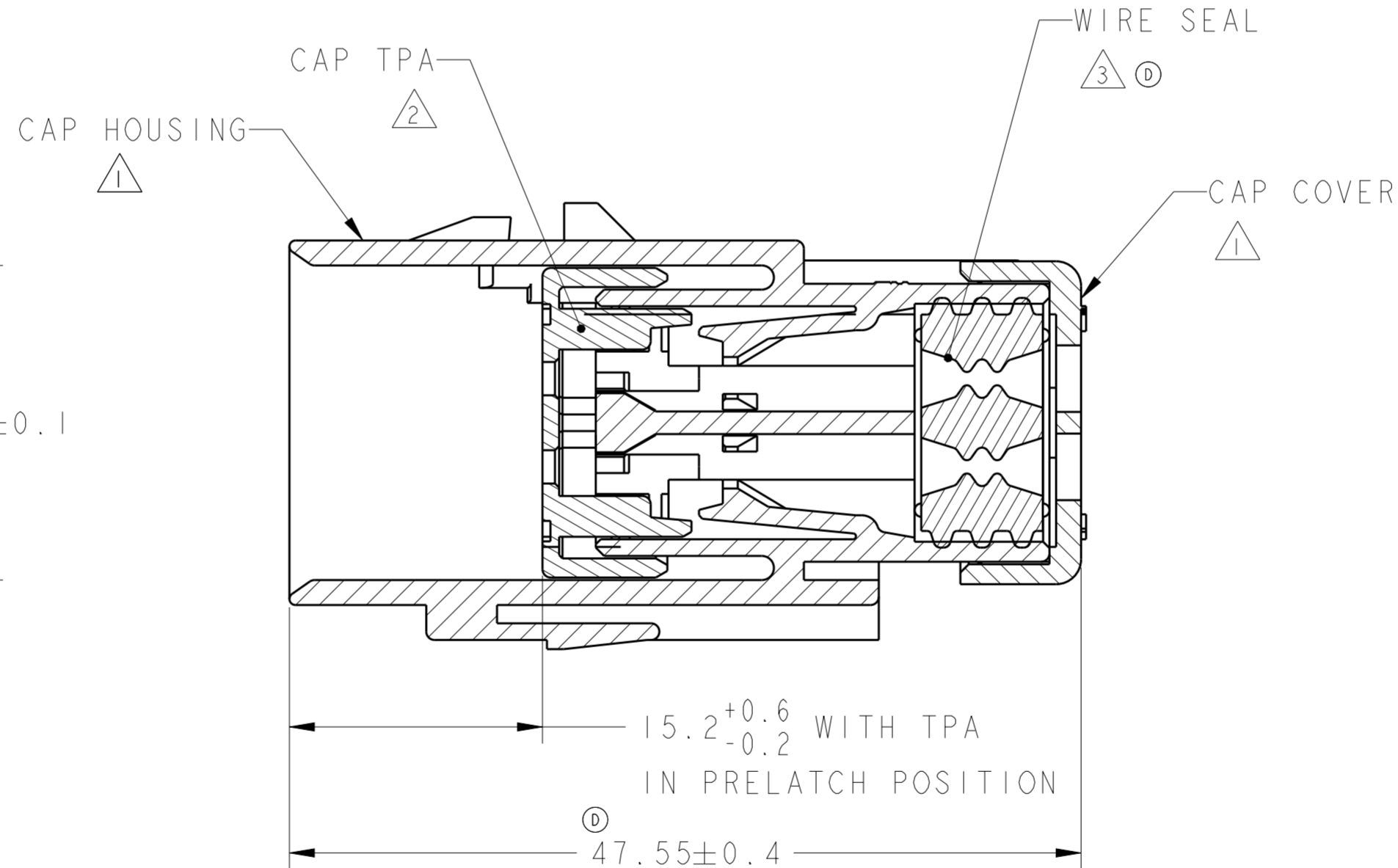
SCALE 2:1

- ① MATERIAL: 15% GLASS FILLED THERMOPLASTIC
COLOR: BLACK
- ② MATERIAL: 15% GLASS FILLED THERMOPLASTIC
COLOR: (SEE TABLE)
- ③ MATERIAL: SILICONE
COLOR: LIGHT GRAY

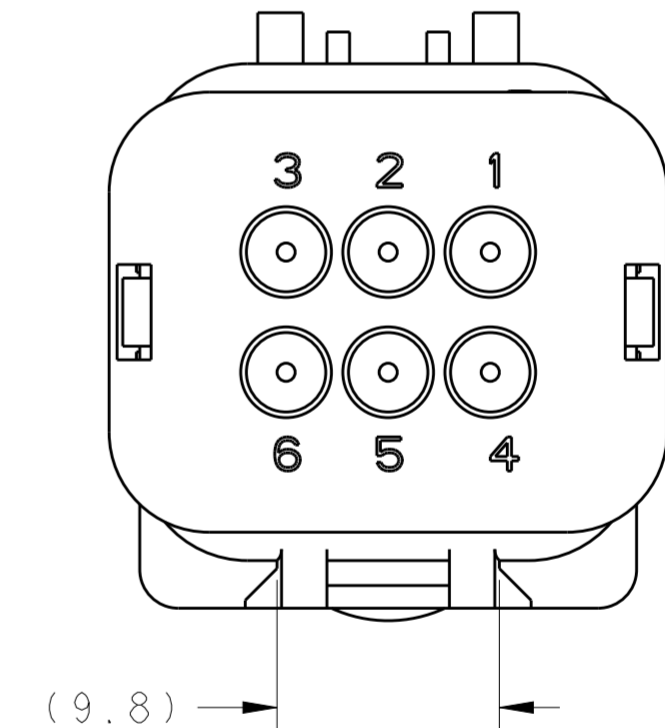
4. WIRE INSULATION RANGE; $\varnothing 1.3 \sim \varnothing 2.3$



1717975-1 SHOWN



A-A



YELLOW	1717975-3
GRAY	1717975-2
RED	1717975-1
TPA COLOR	PART NUMBER

THIS DRAWING IS A CONTROLLED DOCUMENT.		DWN Y. KATO 15JAN2004	TE Connectivity																
DIMENSIONS: mm		CHK S. MANABE 15JAN2004																	
TOLERANCES UNLESS OTHERWISE SPECIFIED:		APVD S. MANABE 15JAN2004	NAME CAP ASSY, 6 POS. BRACKET REVERSE TYPE, SMALL WIRE SIZE AMPSEAL 16																
<table border="0"> <tr> <td>0 PLC</td><td>±</td></tr> <tr> <td>1 PLC</td><td>±</td></tr> <tr> <td>2 PLC</td><td>±</td></tr> <tr> <td>3 PLC</td><td>±</td></tr> <tr> <td>4 PLC</td><td>±</td></tr> <tr> <td>ANGLES</td><td>±</td></tr> <tr> <td>FINISH</td><td>±</td></tr> </table>		0 PLC	±	1 PLC	±	2 PLC	±	3 PLC	±	4 PLC	±	ANGLES	±	FINISH	±	PRODUCT SPEC 108-2184	SIZE A2	CAGE CODE -	DRAWING NO. G-1717975
0 PLC	±																		
1 PLC	±																		
2 PLC	±																		
3 PLC	±																		
4 PLC	±																		
ANGLES	±																		
FINISH	±																		
MATERIAL		APPLICATION SPEC 114-13065	RESTRICTED TO	-															
-		WEIGHT	Customer Drawing																
-		SCALE 3:1		SHEET 1	REV D														