

THIS DRAWING IS UNPUBLISHED. RELEASED FOR PUBLICATION .19  
 (C) COPYRIGHT 19 BY AMP INCORPORATED. ALL RIGHTS RESERVED.

LOC	DIST	REVISIONS						
J	-	P	LTR	DESCRIPTION	ECN	DATE	DWN	APVD
		0		RELEASED	FJ00-2100-99	26-Apr-00	T.K	N.S
		A		REVISED	FJ00-0961-00	11-Jul-00	T.K	N.S
		A1		REVISED	FJ00-2027-00	10-Jan-01	Y.K	N.S
		A2		REVISED	FJ00-2527-01	20-Feb-02	T.K	N.S

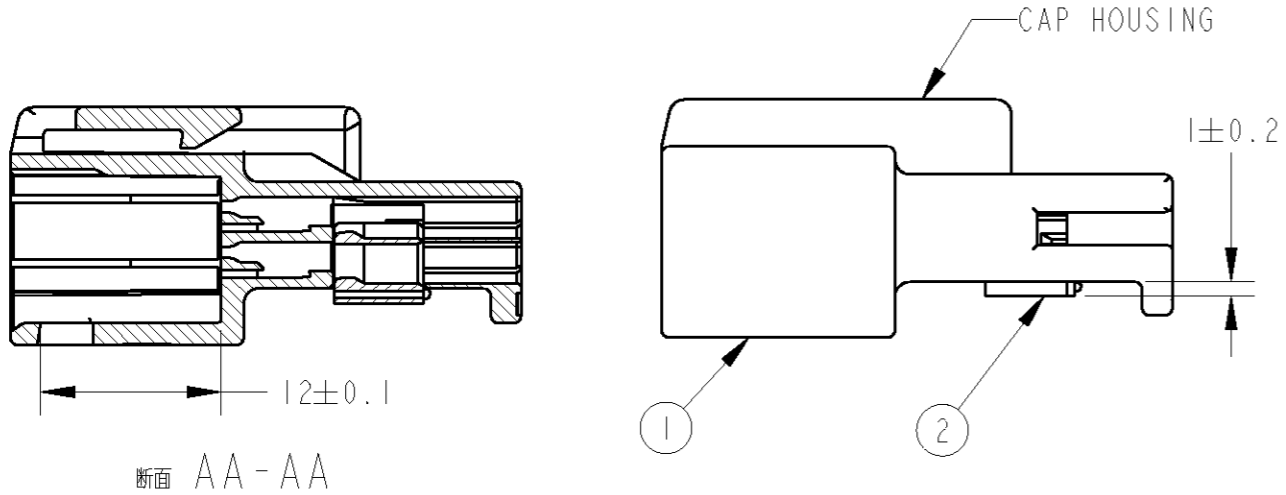
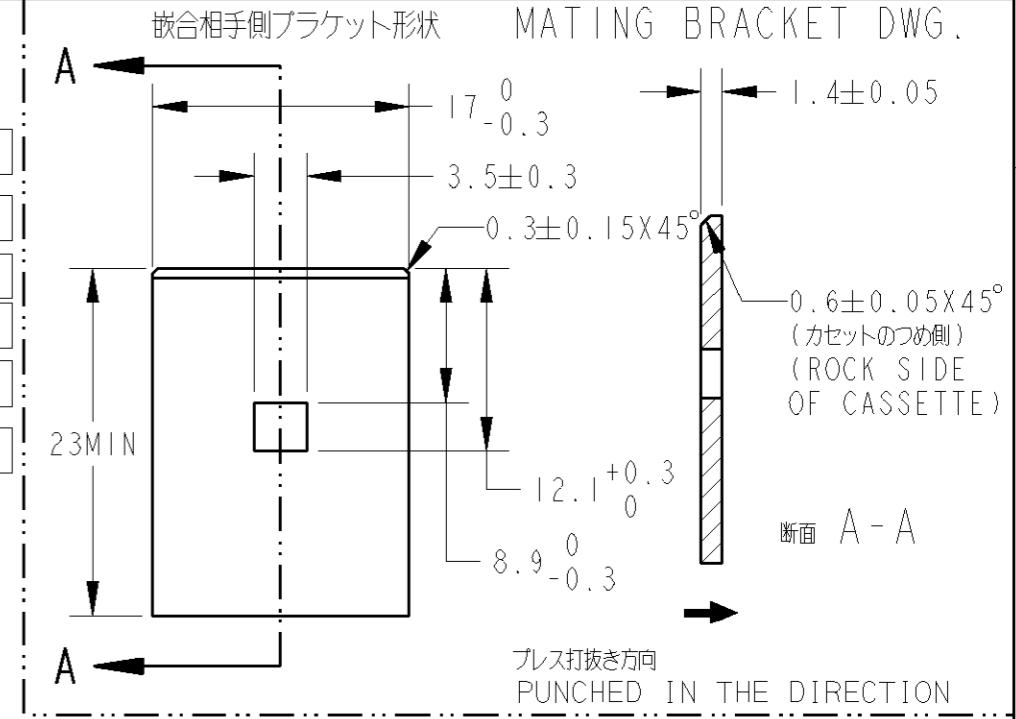
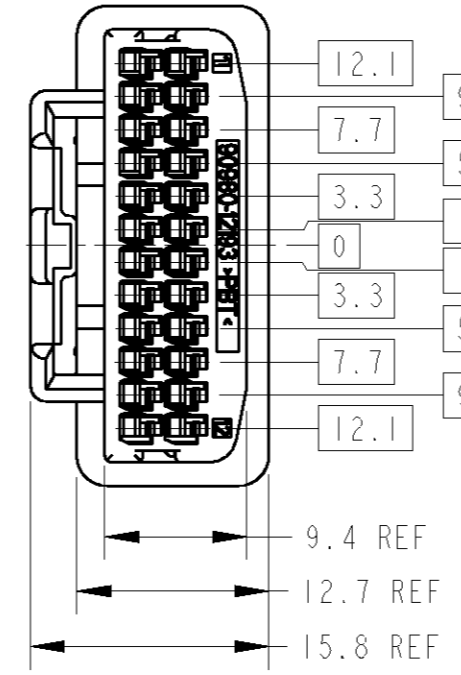
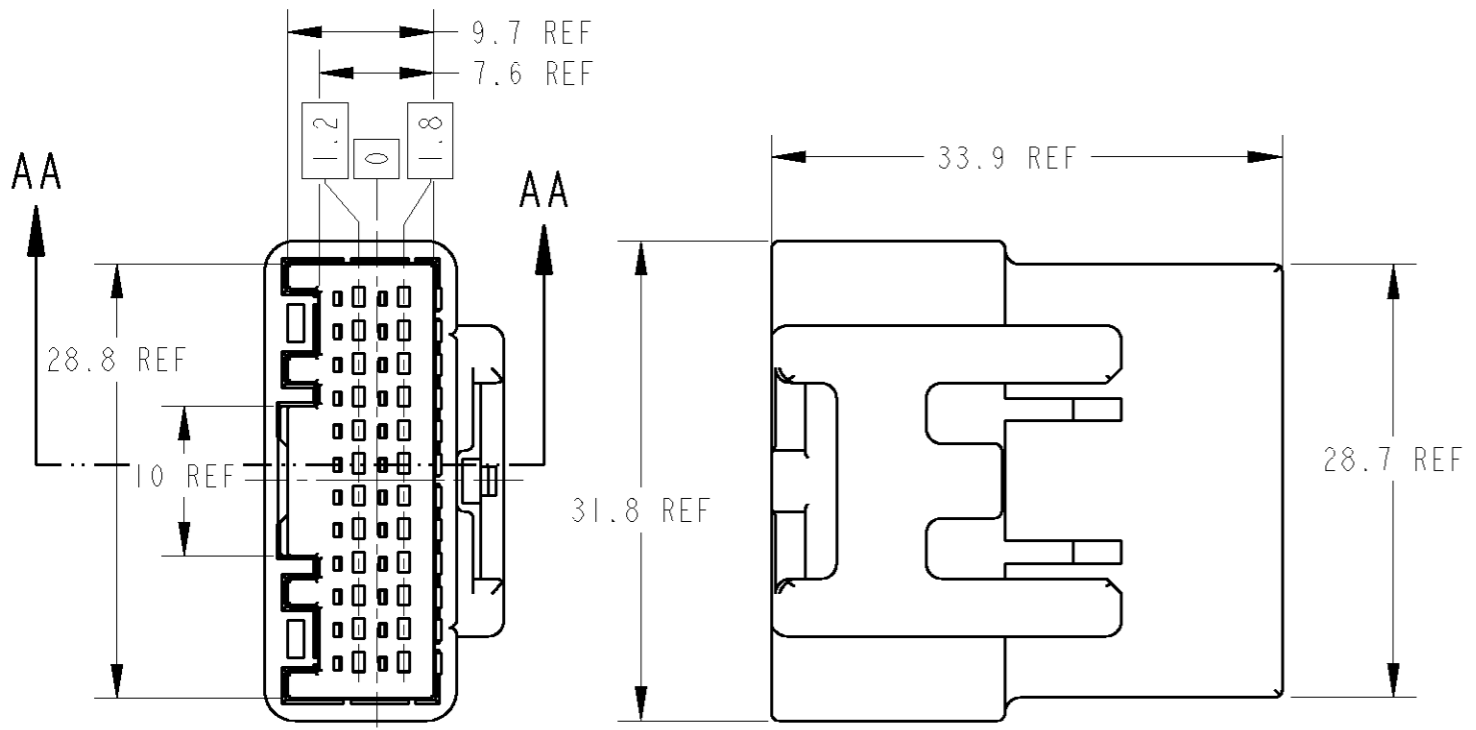


TABLE-2

		TERMINAL NO 適用型番	APPLICABLE WIRE RANGE 適用電線
SIGNAL 025	TIN	1376109-1	AVSS/CAVUS 0.3~0.5mm <sup>2</sup> AVSSH-f 0.3~0.5mm <sup>2</sup> CAVS 0.22~0.5mm <sup>2</sup>

TABLE-3

PLASTIC BAG ビニール袋	INNER 内装	PACKING STYLE 梱包形態			
PAPER BOX ダンボール	OUTER 外装				
I	I	NATURAL	025 24P DBL PLATE	1376105-1	2
I	—//—	BLACK	025 24P CAP HSG	1376104-2	1
—//—	I	NATURAL		1376104-1	
1376103-2	1376103-1	FINISH/COLOR	NAME	PART NO.	NO.

TABLE-1

POS 極数	PLUG ASSEMBLY PART NO プラグ 型番
24	1318917

1. プラグハウジングにダブルロックプレートを仮係止して出荷される。
2. 仮係止時プレート突起がハウジングの外側に出ていること。
3. プレートの仮係止保持力; 30N MIN.
4. 取扱い説明書 ; 411-5966
5. 嵌合相手型番はTABLE-1参照
6. 適用端子はTABLE-2参照

1. PLATE SHOULD BE SET TO THE PRE-ASSEMBLY POSITION WITHIN THE PLUG HOUSING WHEN SHIPPED TO THE CUSTOMER.
2. THE RETENTION LATCH OF THE PLATE MUST BE OUT SIDE OF PLUG HOUSING WHEN PRE-ASSEMBLY.
3. PLATE RETENSION FORCE FROM HOUSING; 30N MIN.
4. INSTRUCTION SHEET NO; 411-5966
5. PART NUMBER OF CAP HOUSING TO BE MATED; SEE TABLE-1
6. APPLIED TERMINAL; SEE TABLE-2

THIS DRAWING IS A CONTROLLED DOCUMENT FOR AMP INCORPORATED. IT IS SUBJECT TO CHANGE AND THE CONTROLLING ENGINEERING ORGANIZATION SHOULD BE CONTACTED FOR THE LATEST REVISION.		DWN T. KOHNO 07-Mar-01	<b>AMP</b> Tyco Electronics AMP K.K. Kawasaki, Japan
DIMENSIONS: 単位: 概 mm		CHK N. SAI 07-Mar-01	
TOLERANCES UNLESS OTHERWISE SPECIFIED: 一般公差: ±0.3		APVD K. SHIMIZU 07-Mar-01	NAME 名称 025 SERIES 24POSITION CAP ASSEMBLY
0-PLC ± 1-PLC ±0.1 2-PLC ±0.01 3-PLC ±0.001 4-PLC ±0.000J ANGLES ±3		PRODUCT SPEC 製品規格 108-5668	
MATERIAL 材料 PBT		FINISH 仕上 SEE TABLE-3	SIZE A3
		WEIGHT 6.6g	CAGE CODE 番号 00779
		CUSTOMER DRAWING	DRAWING NO C-1376103
			SCALE 尺度 2:1
			SHEET 1 OF 1
			REV A2