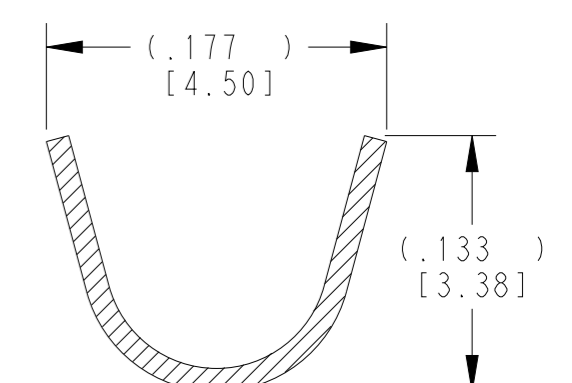
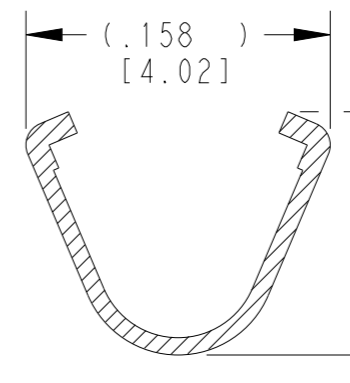
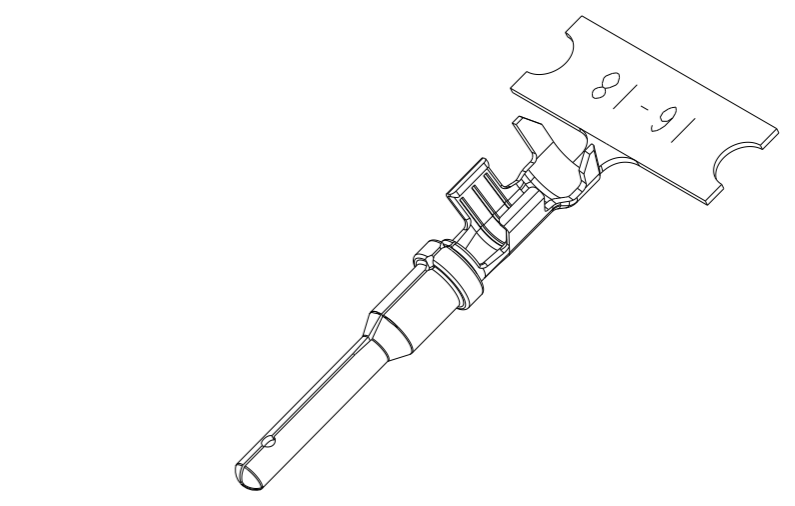
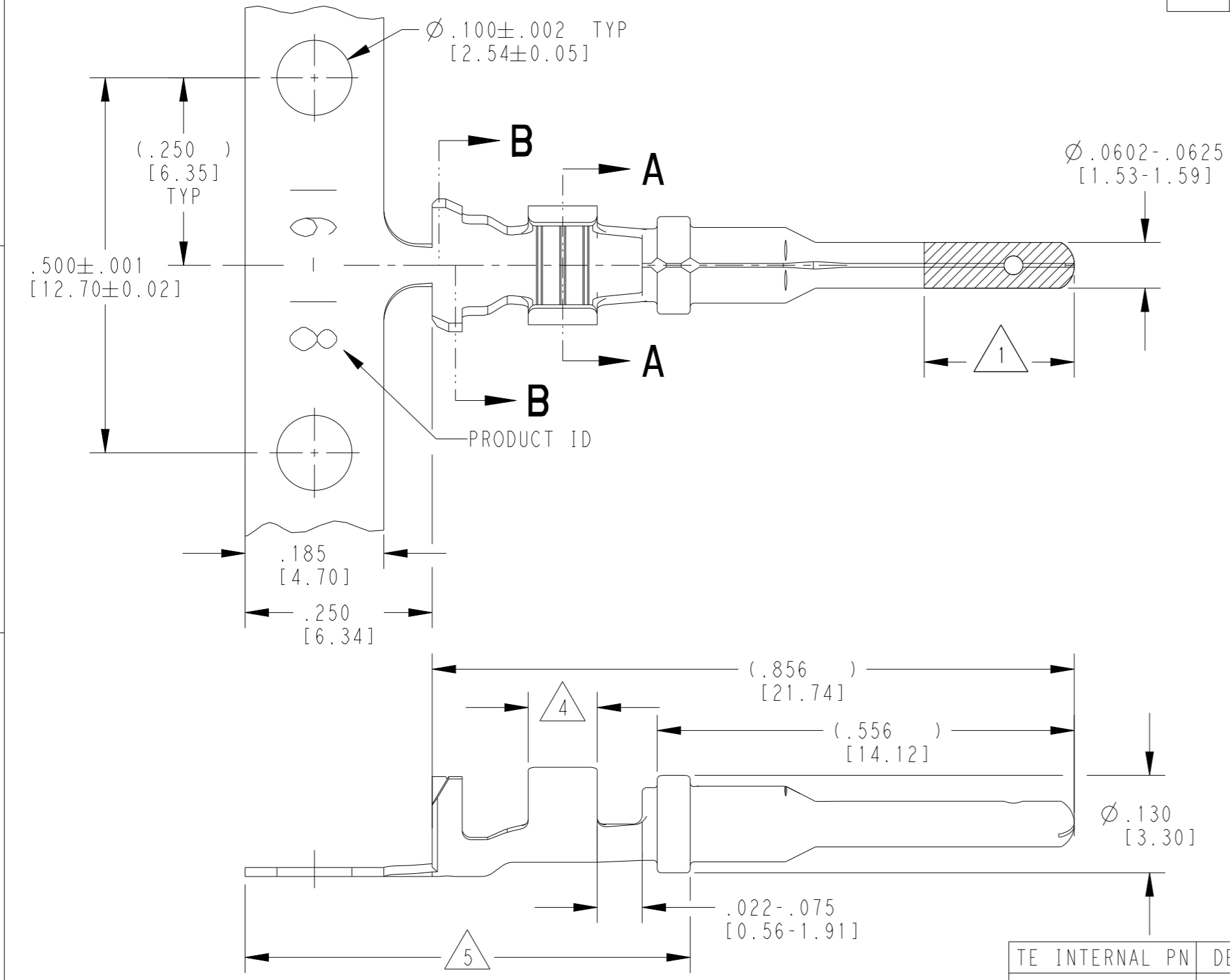


THIS DRAWING IS UNPUBLISHED. RELEASED FOR PUBLICATION 2020
 © COPYRIGHT 2020 BY TE CONNECTIVITY ALL RIGHTS RESERVED.

LOC	DIST	REVISIONS			
P	LTR	DESCRIPTION	DATE	DWN	APVD
	J	REVISED PER ECO-15-007761	28MAY2015	RL	DM
	K	REVISED PER PCN E-20-008101	12JUN2020	DM	DM
	L	REVISED PER PCN-21-121539	08DEC2021	MK	DM
	L1	REVISED PER PCN-21-121539	04FEB2022	MK	DM



SECTION A-A
WIRE BARREL

SECTION B-B
INSULATION BARREL

- 5 TIN PLATING MAY BE IN THIS REGION.
- 4 TIN PLATED REGION.
- 3 MATERIAL: .012 [0.30] THICK COPPER ALLOY
- 2. WIRE RANGE: 18 AWG TO 14 AWG [0.75-2.0 mm²]
INSULATION RANGE: $\phi .075 - .140$ [$\phi 1.91 - 3.56$]
- 1 GOLD PLATED REGION.

NOTES: UNLESS OTHERWISE SPECIFIED

TE INTERNAL PN	DEUTSCH PN	PLATING
1060-16-0122	1060-16-0122	Ni/Cu overall, Sn/Ni/Cu Wire Barrel
1060-16-0144	1060-16-0144	Selective Au, Ni/Cu overall, Sn/Ni/Cu Wire Barrel
1060-16-0177	1060-16-0177	Sn/Ni/Cu overall

THIS DRAWING IS A CONTROLLED DOCUMENT.

DWN M. BLUM	04NOV1999	STE TE Connectivity
CHK A. ROLINSKI	08DEC2000	
APVD R. REED	08DEC2000	
PRODUCT SPEC	108-151000	
APPLICATION SPEC	114-151000	NAME STAMPED CONTACT PIN SIZE 16
WEIGHT 0.33 g	A3	SIZE 4AFU8
MATERIAL 3	SEE TABLE	DRAWING NO C=1060-16-01XX
		RESTRICTED TO -
		SCALE 6:1
		SHEET 1 OF 1
		REV L1

Customer Drawing